

PRODUCT DESCRIPTION:

The vapor tight fixture is designed to save energy and meet low light egress requirements. The fixture is also optimal for stairways, bathrooms and other lower traffic areas. The vapor tight is designed with high efficacy LED engines to get the most energy savings compared to fluorescent fixtures.

FEATURES:

- High quality LED chips with 50,000 hours
- UV stabilized polycarbonate housing
- Diffusers eliminate glare and produces even light distribution
- Knockouts on each end
- Stainless steel clips

LED Vapor Tight Spec

LOD-VT2FT30WNS-40K

LOD-VT2FT30WNS-50K



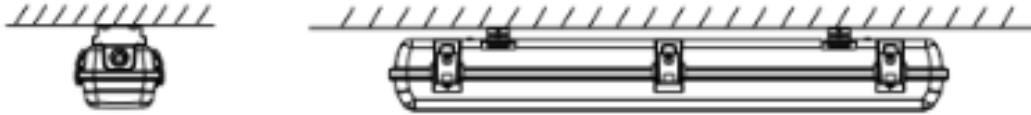
SPECIFICATIONS:

SPECIFICATION	Details	
Model	LOD-VT2FT30WNS-40K	LOD-VT2FT30WNS-50K
Input Wattage (W)	30W	
Lumens Delivered (LM)	4,320LM	4,380LM
Efficacy (LM/W)	130LM/W	
CRI	80	
Lifespan	50,000 hours	
Color Temperature	4,000K	5,000K
Dimmable	Yes	
IP Rating	Damp Location	
Beam Angle	120	
Input Voltage	AC100-277V	
Power Factor	0.9	
Housing	PC Cover	
Lens	Frosted	
Mounting	Suspended Mounting	
THD	10%	
Size	24.6" x 5.1" x 3.9"	
Certification	UL, FCC, CE, RoHS, TUV	
Operating Temperature	-20°C-50°C	
Environment	Indoor	
Warranty	5 years limited	

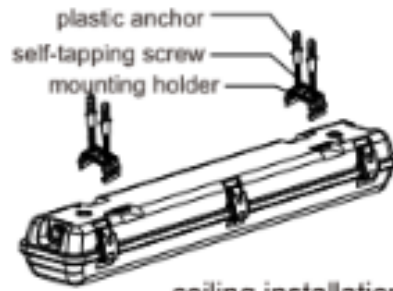
NS = Dimmable without motion sensor



Ceiling installation A

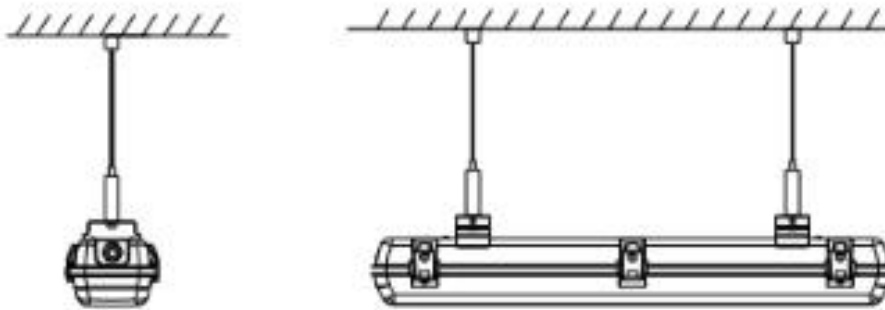


drill hole size of ceiling installation

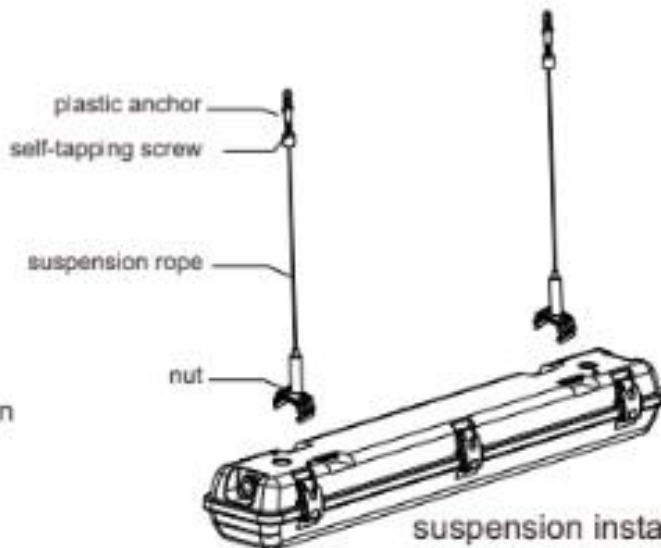


ceiling installation

Suspension installation B



drill hole size of suspension installation



suspension installation