

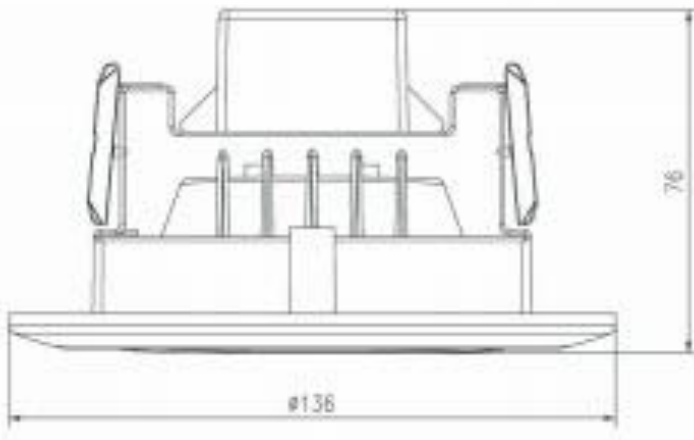
PRODUCT DESCRIPTION:

Designed to fit any ceiling surface. Suspended and hanging for other types of ceilings such as art galleries, homes, schools, offices, hotels, restaurants, retail stores and other commercial or industrial applications.

FEATURES:

- Low maintenance
- Environmentally friendly
- No mercury
- Recyclable

DIMENSIONS:



4" Gimbal Downlight 10W Spec

LOD-DL4EB-10W30K

LOD-DL4EB-10W50K

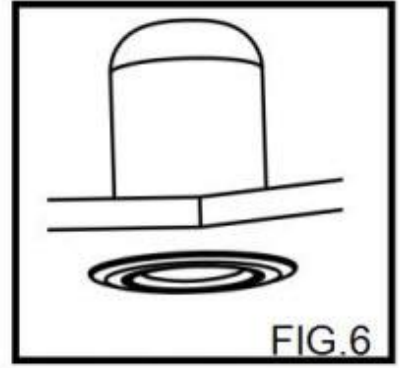
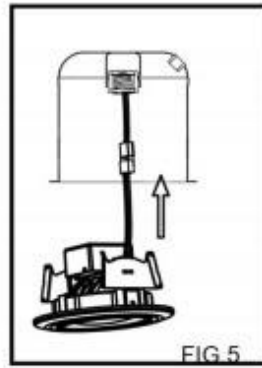
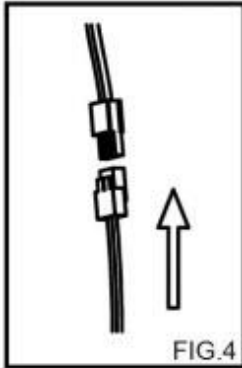
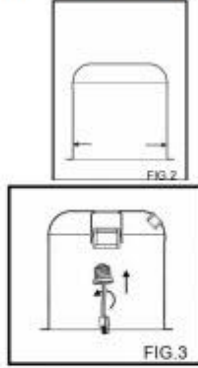


SPECIFICATIONS:

SPECIFICATION	Details	
Model	LOD-DL4EB-10W30K	LOD-DL4EB-10W50K
Input Wattage (W)	10W	
Lumens Delivered (LM)	720LM	720LM
Efficacy (LM/W)	72LM/W	72LM/W
Color Temperature	3,000K	5,000K
Power Factor	0.93	0.93
CRI	91	91
Wattage Equivalent	75W	
Dimmable	Yes	
IP Rating	Damp Location	
Beam Angle		
Input Voltage	AC120	
Lifespan	50,000 hours	
Housing	Aluminum	
Lens	Frosted	
Mounting	GU24 or E26	
Size	5.35" x 2.99"	
Certification	ES, ETL, FCC, CE RoHS, TUV, ISO9001	
Operating Temperature	-20°C to 50°C (-4°F to 122°F)	
Environment	Indoor	
Warranty	3 years limited	



Easy to Install in following Steps:



If the installed housing does not have **TORSION SPRING SLOTS** or **C-CLIPS** (FIG. 5), then remove the **SCREWS** securing the **TORSION SPRINGS** to the **HEATSINK**. Attach the **FRICTION BLADES** (included) to the same location using the **SCREWS** that were previously removed. (FIG. 6)

INCANDESCENT HOUSINGS

Unscrew the **WING NUT** inside the **CAN** to detach the **SOCKET BRACKET** from the **CAN**. Disengage the **SOCKET** from the **SOCKET BRACKET**. (FIG. 2)

Thread the **SOCKET ADAPTER** into the **SOCKET**. (FIG. 3)

Plug the **FEMALE CONNECTOR** of the **RETROFIT TRIM** onto the **MALE CONNECTOR** of the **SOCKET ADAPTER ASSEMBLY**. (FIG. 4)

If using **TORSION SPRINGS**, squeeze both **TORSION SPRING** arms together and insert into the **TORSION SPRING SLOTS** (or **RECEIVER BRACKETS**) of the **CAN**. (FIG. 5)

Tuck all wires into the **CAN** and carefully push the **RETROFIT TRIM** into **CAN**. (NOTE: To provide enough room in shallow cans, carefully position **SOCKET ADAPTER** and **SOCKET** adjacent to the long side of the **LED DRIVER** prior to inserting the **RETROFIT TRIM** into the **CAN**.) (FIG. 5)