

Date: _____ Location: _____
 Product: _____ Project: _____
 Quantity: _____ Catalog #: _____

LED LOC-RDCP MW MCCT Canopy Light



Color Options: White or Bronze

FEATURES

- Default Wattage: 75W
- Default CCT: 5,000K
- IP65 rated
- Easy installation and maintenance
- Corrosion and rust proof
- 50,000 hours lifetime

SUITABLE APPLICATIONS

- Warehouses
- Stadiums
- Factories
- Parking Lots
- Shopping Malls
- Supermarkets
- Logistic Centers
- Auto dealerships

CONSTRUCTION:

Heavy die-cast aluminum housing with polyester powder-coated finish

OPTICAL SYSTEM:

Seoul 2835 LED chips. Frosted lens. 135° beam angle.

WARRANTY:

5-year limited warranty. Actual performance may differ as a result of end-user environment and application.

ELECTRICAL:

Available as 120-277V input. -20°C to 50°C, -4°F to 122°F

INSTALLATION & MOUNTING:

Wall Mounting with quick mount back plate for easy installation.

CONTROLS & DIMMING:

0-10V dimming comes standard.



MODEL NUMBER – 5,000K	WATTAGE	LUMENS	EFFICACY	CRI	POWER FACTOR	THD	REPLACES
LOC-RDCP-MW(40/50/60/75)MCCT(30/40/50)DLV	40W	5,400LM	135LM/W	70	0.9	20%	100W – 320W HID
LOC-RDCP-MW(40/50/60/75)MCCT(30/40/50)DLV	50W	6,750LM	135LM/W	70	0.9	20%	100W – 320W HID
LOC-RDCP-MW(40/50/60/75)MCCT(30/40/50)DLV	60W	8,100LM	135LM/W	70	0.9	20%	100W – 320W HID
LOC-RDCP-MW(40/50/60/75)MCCT(30/40/50)DLV	75W	10,125LM	135LM/W	70	0.9	20%	100W – 320W HID

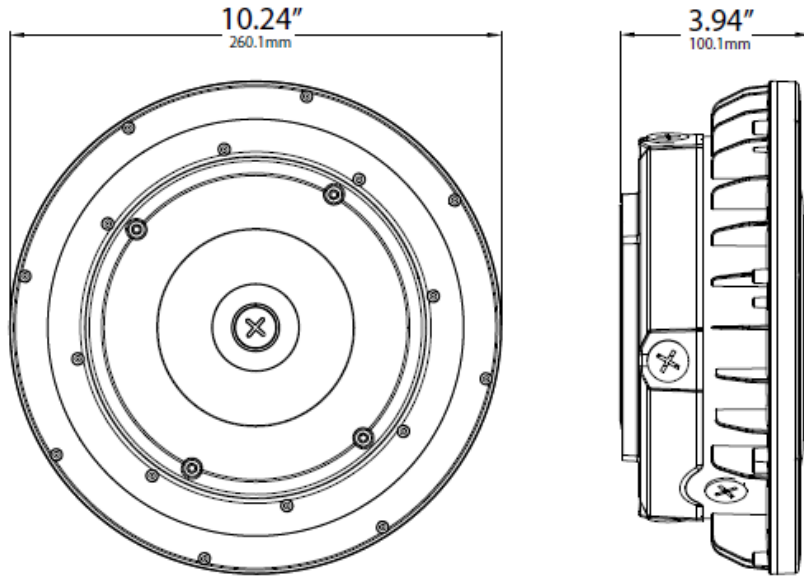
DLC Product ID:

- LOC-RDCP-MW(40/50/60/75)MCCT(30/40/50)DLV – S-OYSRW7

LED LOC-RDCP MW MCCT Canopy Light

Series	Wattage Options	Color Temperature Options	Dimming	Voltage
LOC-RDCP	40W 50W 60W 75W	3000K 4000K 5000K	D = 0-10V	LV = 120-277V

MEASUREMENTS



MODEL	QUANTITY	WEIGHT	UPC CODE
LOC-RDCP-MW(40/50/60/75)MCCT(30/40/50)DLV	1	4.85 lbs	00810050941532

OPTIONAL ACCESSORIES

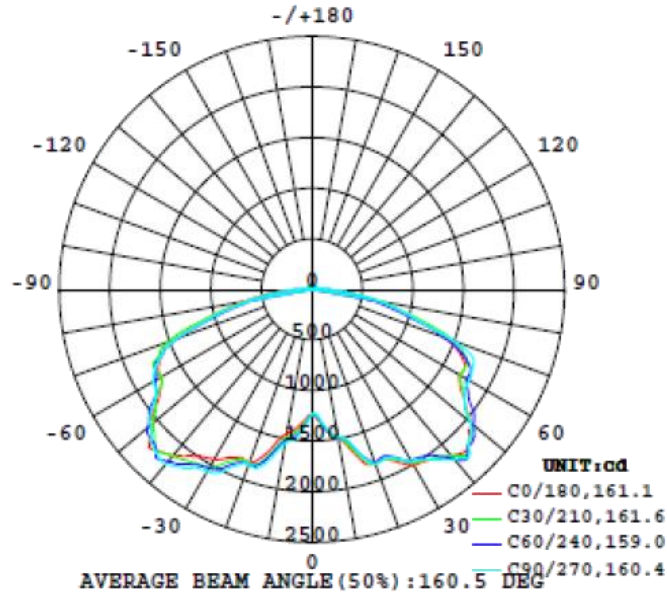


Motion Sensor
LOC-ANT-5-4T
(compatible with remote control)

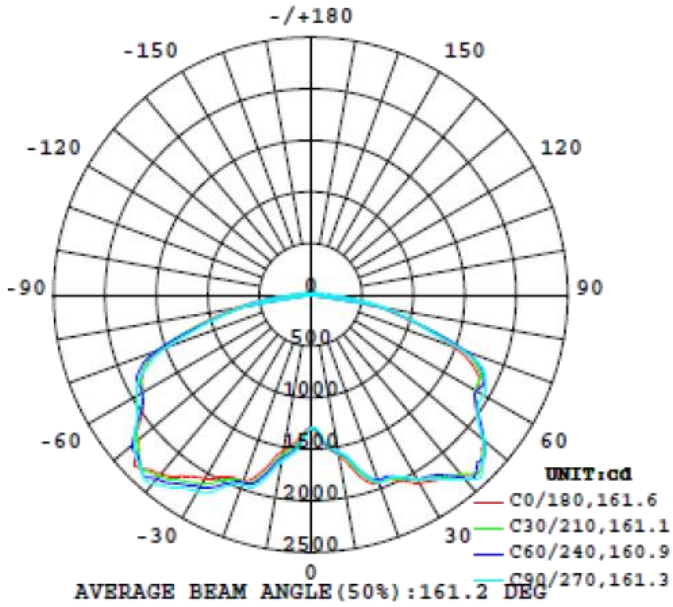


Remote Control
LOC-RC-100

3,000K



4,000K



5,000K

