

# LEDone®

## LOC-LHB V2 Series Installation Guide

### SAFETY INSTRUCTIONS: Read instructions carefully before attempting to install fixture.

- All wiring should be performed by a qualified electrician.
- Disconnect power before installing or servicing. This fixture must be wired in accordance with the National Electrical Code and applicable local codes and ordinances.

### CAUTION: Risk of fire

- **WARNING:** Make certain power is OFF before installing or maintaining fixture. No user serviceable parts inside.
- **WARNING:** Always make sure the power is turned off before performing any maintenance.
- **WARNING:** Verify that the supply voltage is correct by comparing it with the luminaire label information.
- **WARNING:** All wiring connections should be capped with UL approved wire connectors.
- **WARNING:** To prevent wiring damage or abrasion, do NOT expose wiring to edges of sheet metal or other sharp objects to lamp holder lead wires by employing applicable connectors.
- **WARNING:** Do NOT use this product for other than intended use. To prevent early failure, luminaire should only be used in operation environments ranging from -20°C to 40°C.

### CLEANING & MAINTENANCE:

CAUTION: Be sure the fixture temperature is cool enough to touch. Do NOT clean or maintain while the fixture is energized.

1. Clean lens with non-abrasive cleaning solution.
2. Do NOT open fixture to clean the LED. Do NOT touch the LED.

Note: These instructions do not cover all details or variation in equipment, nor do they provide for every possible situation during installation, operation or maintenance.

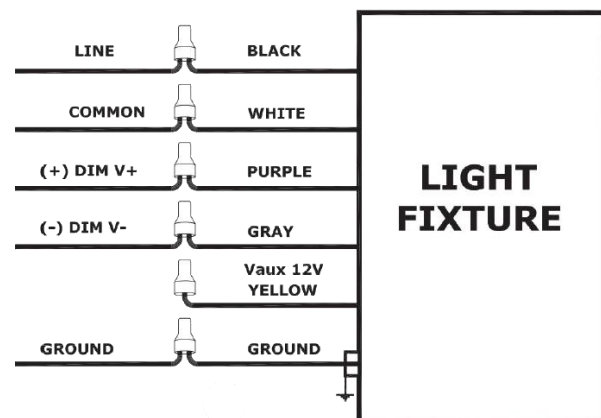
### TROUBLESHOOTING:

1. Check that the line voltage at fixture is correct. Refer to wiring directions.
2. Be sure the fixture is grounded properly.

### 0-10V DIMMABLE WIRING:

Universal voltage driver permits operation at 120V through 277V, 50/60Hz. For 0-10V dimming, follow the wiring instructions. All units must be connected to AC power supply.

1. Connect the BLACK fixture lead to the (+) LINE supply lead.
2. Connect the WHITE fixture lead to the (-) COMMON supply lead.
3. Connect the GROUND wire from fixture to supply ground.  
DO NOT connect the GROUND of the dimming fixture to the output.
4. Connect the VIOLET fixture lead to the (V+) DIM lead.
5. Connect the GREY fixture lead to the (V-) DIM lead.
6. The driver comes with dimmable leads. If it is unused, make sure the leads are properly capped (if applicable).

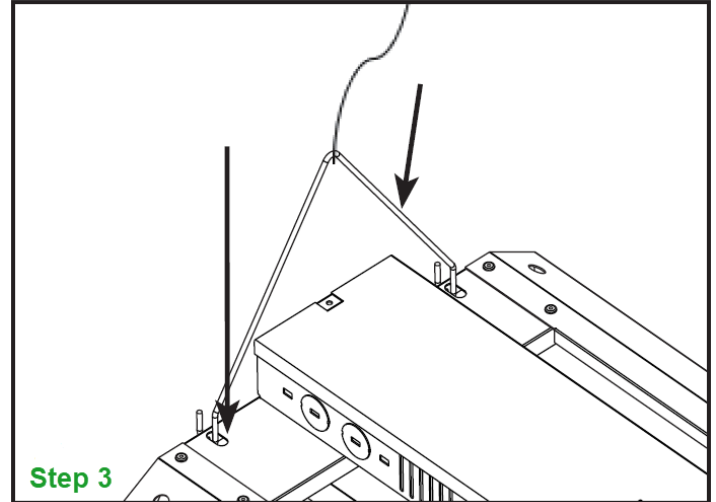
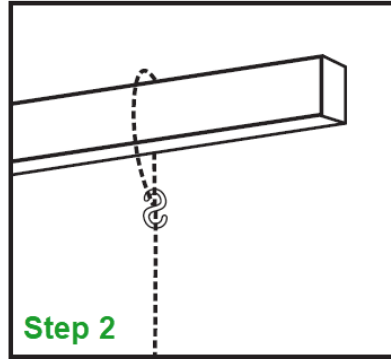
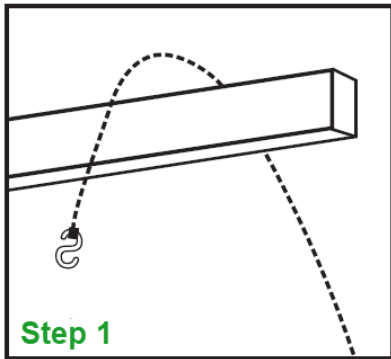


## MOUNTING OPTIONS:

### 1. V-Hook and Chain Mounting:

Cables must be connected in accordance to instruction and proper standing rules.

- Wrap the chain around the ceiling or service attachment point.
- Loop the chain around the ceiling or service point.
- Use and S or similar connector to close the loops.
- Slide the other end of the chain through the V-hook provided with the fixture.
- Install the V-hook into the two slots shown in Step 3 to support the fixture.



### 2. Pendant Mounting:

- Choose length of ½" NPS ped and stem (supplied by others).
- Install pendant mount kit including stem, junction box, screws and washers.
- Feed wires through the pendant stem and into the junction box.
- Wire the housing leads to supply wires using UL listed wire connectors according to NEC and local codes in the junction box.
- Push all wires back into the junction box, install the plate of box with supplied screws. Be careful not to pinch the wires.
- Slide the other end of the chain through the V-hook provided with the fixture.

