

LOC-L11-01

Daylight sensor



Specifications

Voltage	15V DC +-2V	Operating temperature	-20 ° C - +75 ° C
Output Voltage	0-10V	Storage temperature	-30 ° C - +80 ° C
Current	20mA	IP rating	IP20
LUX range	50-∞	Lifespan	5 years

Application



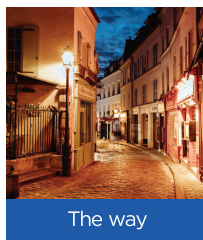
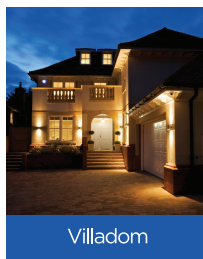
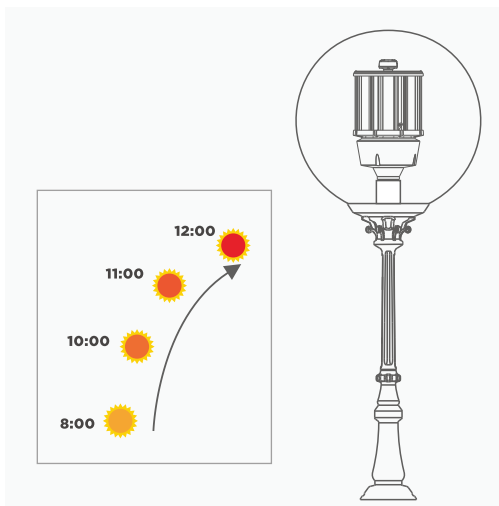
Multifunctional smart module



LED corn lamp
GKS39-09/10 series

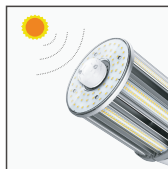


LED low/high bay
GKH10-05 series



1

Turn on or plug in sensor module, there is 3 second self inspection and connect power, lamp is on



2

Then sensor will keep continuous 10S detect nature light (avoid unintended activation by thunder lighting)



3

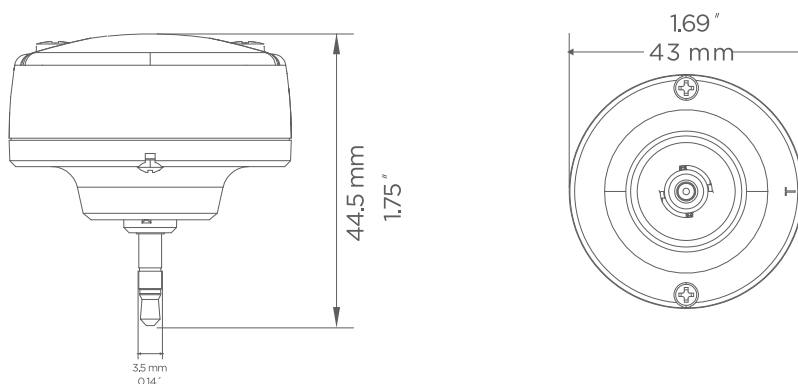
If nature light below LUX setting (50Lux, 200Lux, 500Lux, 800Lux), Lamp will turn on and keep hold time (Set 4Hours/ 6Hours/ 10Hours-∞)



4

If nature light over LUX setting, Lamp will turn off

Dimensions



Functions

- There will be a self-inspection of 3 seconds when turned on every time, while lighting
- It will make judgement after continuous 10S stable lighting of the surroundings (A 10S continuous stable surroundings can make sure there will not be unintended activation)
- After lighting on,if the environment brightness is 130% higher than the brightness set, the power of the light will decrease 1% when the environment brightness raise 3 Lux, until it raised 300Lux, it will turned off. For example: 100W lamp with Daylight sensor,set 50Lux reaction,nature light till to 350Lux,the lamp is near 90W(Power reduce $300/3*1\%=10\text{Watt}$)and turn off.
- Only natural light can be detected, LED light cannot;
- Time setting,meaning the working time length, after the environment brightness becomes weaker than the set LUX, can be 4H 6H, 10H, optionally
- LUX setting,options are 50Lux 200Lux,500Lux 800Lux, meaning the light will turn on when environment brightness over the set point , and turn off when higher than that point

Packing

Model	N.W(kg) lbs=kg x 2.2	G.W(kg) lbs=kg x 2.2	Box size(mm) x 0.0393=inch	Carton size(mm) x 0.0393=inch	QTY(PCS)	Quantity per carton
L11	0.021	0.031	44*44*46	236*246*280	1	150

Caution

LUX figure can only be reference,
since the sensing will have very different
to different nature light source