

Date: _____ Location: _____

Product: _____ Project: _____

Quantity: _____ Catalog #: _____



LED Red or Green Letter Exit Sign Light

CONSTRUCTION:

Injection-molded thermoplastic housing. Test switch and AC-On indicator included. Built-in 1.2V/800mAh Nickel Cadmium battery.

WARRANTY:

2-year limited warranty. Actual performance may differ as a result of end-user environment and application.

ELECTRICAL:

Available as 120V or 277V AC input.
5°C to 30°C, 41°F to 86°F

INSTALLATION & MOUNTING:

Wall mounting.

Maximum mounting height: 15.19FT (4.62m)

FEATURES

- UL924 Standard for safety
- This product is Title 20 compliant
- Emergency Back-up: 90 minutes
- Universal J-box mounting pattern
- Overcharge and over discharge protection
- Easy installation and maintenance
- 50,000 hours lifetime

FEATURES

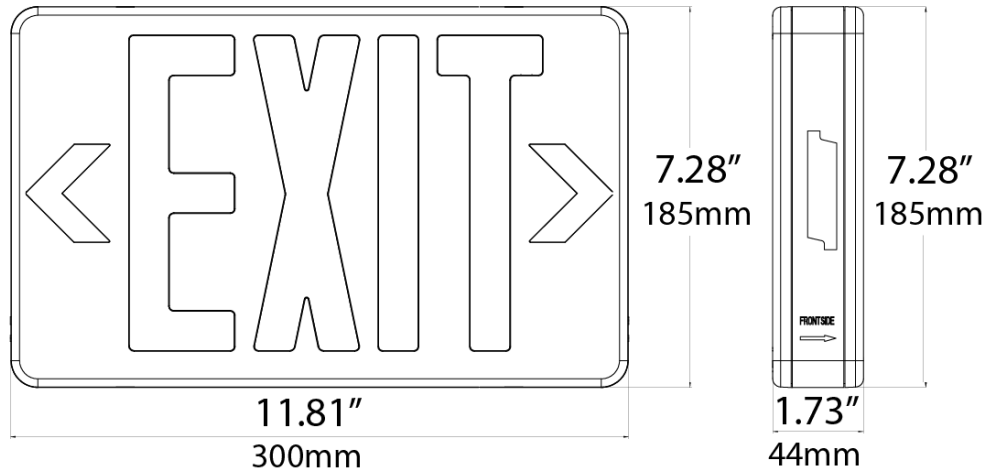
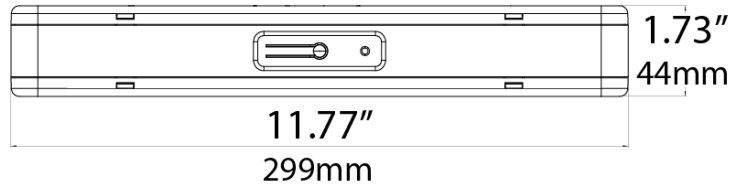
- Adjustable heads for aiming light where needed
- Emergency Back-up: 90 minutes
- 1W per head
- Universal J-box mounting pattern
- Overcharge and over discharge protection



LOC-EXIT-1WRLW and LOC-EXIT-1WGLW

WATTAGE	EMERGENCY WATTAGE	RE-CHARGE TIME	BATTERY	VOLTAGE
1W	1W	24 hours	Ni-cad 1.2V/800mAh	120V or 277V

MEASUREMENTS



MODEL	QUANTITY	WEIGHT	UPC CODE
LOC-EXIT-1WRLW	1	1.98 lbs	00810050943406
LOC-EXIT-1WGLW	1	1.98 lbs	00810050946544