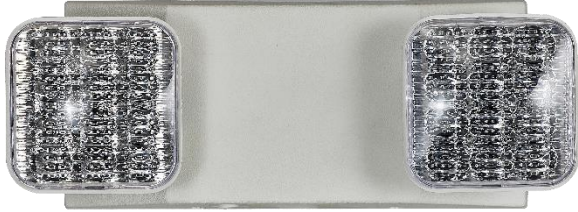


LED Double Headlight Emergency Light



CONSTRUCTION:

Injection-molded thermoplastic housing. UL94 V-0 flame rating. Test switch and AC-On indicator included. Built-in 3.6V/600mAh Nickel Cadmium battery.

WARRANTY:

2-year limited warranty. Actual performance may differ as a result of end-user environment and application.

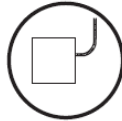
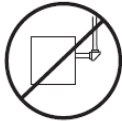
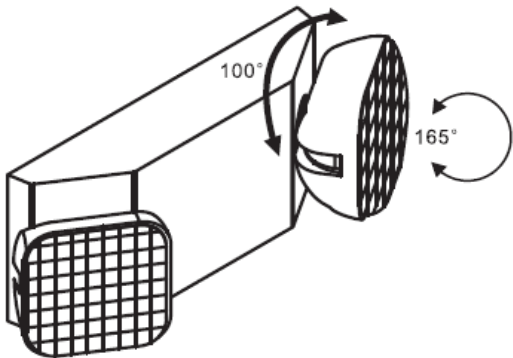
ELECTRICAL:

Available as 120V or 277V AC input. 5°C to 30°C, 41°F to 86°F

INSTALLATION & MOUNTING:

Wall mounting.

Maximum mounting height: 18.71FT (5.7m)



FLEXIBLE CONDUIT ONLY

FEATURES

- This product is Title 20 compliant
- Adjustable heads for aiming light where needed
- Emergency Back-up: 90 minutes
- 1W per head
- Universal J-box mounting pattern
- Overcharge and over discharge protection
- Easy installation and maintenance
- 50,000 hours lifetime

SUITABLE APPLICATIONS

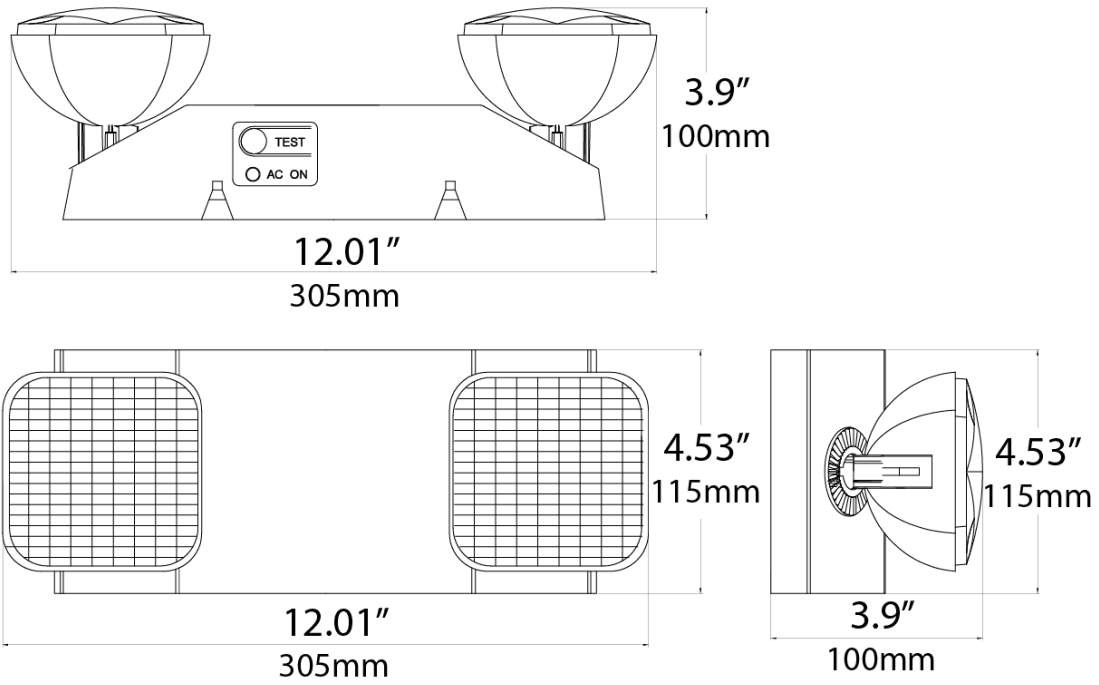
- Stairways
- Hallways
- Doorways
- Bathrooms
- Corridors



LOC-EMGY-DSQBE-V2

WATTAGE	EMERGENCY WATTAGE	RE-CHARGE TIME	BATTERY	VOLTAGE
2W	1.2W	24 hours	Ni-cad 3.6V/600mAh	120V or 277V

MEASUREMENTS



MODEL	QUANTITY	WEIGHT	UPC CODE
LOC-EMGY-DSQBE-V2	1	1.32 lbs	00810050943390