



4"

5.5W, 8W and 12W



6" HO

25W, 32W and 42W



8"

8" HO

10W, 15W and 22W 32W, 42W and 52W



9.5"

20W, 25W and 32W



## LED Multi Watt Multi CCT Down Light

### CONSTRUCTION:

Downlight body and endcaps are both fabricated from aluminum for maximum rigidity. Lightweight aluminum heat sink designed to perform naturally convective cooling.

### OPTICAL SYSTEM:

Lumiled LED chips. General, medium, aisle distributions available to meet both horizontal and vertical light level requirements. 90° beam angle

### WARRANTY:

5-year limited warranty. Actual performance may differ as a result of end-user environment and application.

### ELECTRICAL:

Uses a -20°C to 40°C (-4°F to 104°F) case temperature drive. 0.90 power factor. Available as 120-277V input.

### INSTALLATION & MOUNTING:

Use torsion spring clips to install in place.

### DIMMING:

Dimmable range from 0-10V.

### FEATURES

- Default Wattage:
  - 4" 12W
  - 6" 42W
  - 8" 22W / 52W
  - 9.5" 32W
- Default CCT: 5,000K
- IP44 rated
- Commercial grade
- Wattage selectable
- CCT selectable
- 50,000 hours lifetime

### SUITABLE APPLICATIONS

- Kitchens
- Bedrooms
- Bathrooms
- Corridors
- Hallways
- Museums

### Energy Star ID:

- LOC-4DL-MW(5.5/8/12)MCCT(30/40/50)D - 2401832
- LOC-8DL-MW(10/15/22)MCCT(30/40/50)D - 2402002
- LOC-9.5DL-MW(20/25/32)MCCT(30/40/50)D - 2402003
- LOC-6DL-MW(25/32/42)MCCT(30/40/50)D-HO - 2404927
- LOC-8DL-MW(32/42/52)MCCT(30/40/50)D-HO - 2404928



## LOC-4DL-MW(5.5/8/12)MCCT(30/40/50)D

WATTAGE	CCT SELECTABLE	LUMENS	EFFICACY	VOLTAGE	CRI	POWER FACTOR	REPLACES
5.5W	3000K / 4000K / 5000K	458.15LM	83.3lm/W	120-277V	93	0.98	75W
8W	3000K / 4000K / 5000K	666.6LM	83.3lm/W	120-277V	93	0.98	75W
12W	3000K / 4000K / 5000K	1,000LM	83.3lm/W	120-277V	93	0.98	75W

## LOC-8DL-MW(10/15/22)MCCT(30/40/50)D

WATTAGE	CCT SELECTABLE	LUMENS	EFFICACY	VOLTAGE	CRI	POWER FACTOR	REPLACES
10W	3000K / 4000K / 5000K	909LM	90.9lm/W	120-277V	94	0.97	150W
15W	3000K / 4000K / 5000K	1,363.5LM	90.9lm/W	120-277V	94	0.97	150W
22W	3000K / 4000K / 5000K	2,000LM	90.9lm/W	120-277V	94	0.97	150W

## LOC-9.5DL-MW(20/25/32)MCCT(30/40/50)D

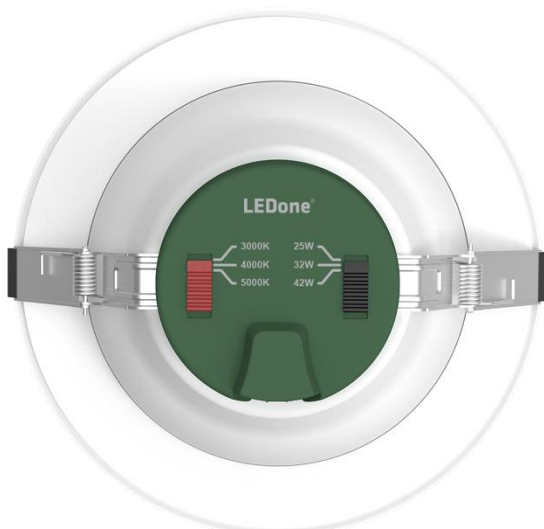
WATTAGE	CCT SELECTABLE	LUMENS	EFFICACY	VOLTAGE	CRI	POWER FACTOR	REPLACES
20W	3000K / 4000K / 5000K	1,876LM	93.8lm/W	120-277V	94	0.99	200W
25W	3000K / 4000K / 5000K	2,345LM	93.8lm/W	120-277V	94	0.99	200W
32W	3000K / 4000K / 5000K	3,001.6LM	93.8lm/W	120-277V	94	0.99	200W

## LOC-6DL-MW(25/32/42)MCCT(30/40/50)D-HO (High Output)

WATTAGE	CCT SELECTABLE	LUMENS	EFFICACY	VOLTAGE	CRI	POWER FACTOR	REPLACES
25W	3000K / 4000K / 5000K	2,477.5LM	99.1lm/W	120-277V	91	1.0	250W
32W	3000K / 4000K / 5000K	3,171.2LM	99.1lm/W	120-277V	91	1.0	250W
42W	3000K / 4000K / 5000K	4,162.2LM	99.1lm/W	120-277V	91	1.0	250W

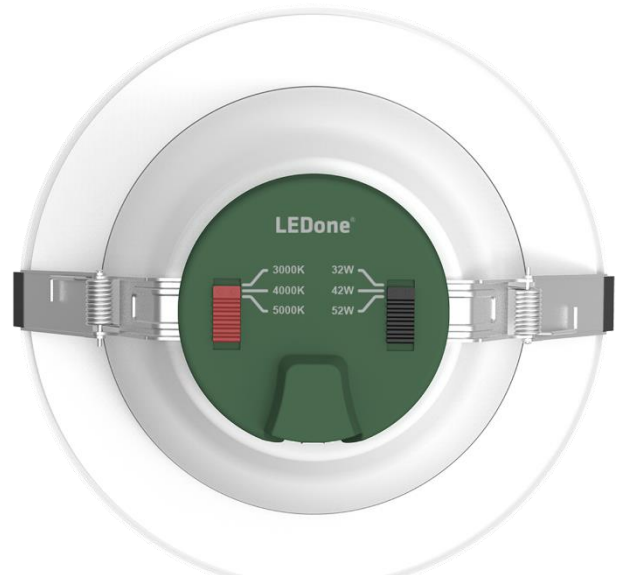
## LOC-8DL-MW(32/42/52)MCCT(30/40/50)D-HO (High Output)

WATTAGE	CCT SELECTABLE	LUMENS	EFFICACY	VOLTAGE	CRI	POWER FACTOR	REPLACES
32W	3000K / 4000K / 5000K	3,078.4LM	96.2lm/W	120-277V	92	1.0	300W
42W	3000K / 4000K / 5000K	4,040.4LM	96.2lm/W	120-277V	92	1.0	300W
52W	3000K / 4000K / 5000K	5,000LM	96.2lm/W	120-277V	92	1.0	300W



**6" HO**

25W, 32W and 42W

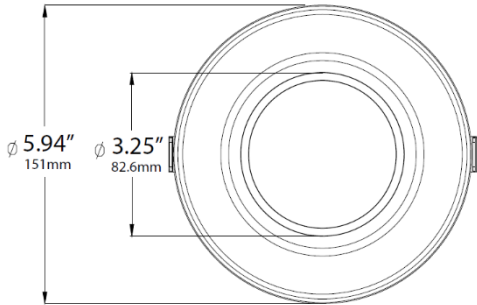
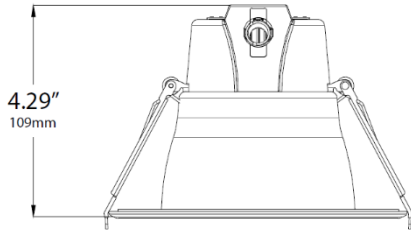


**8" HO**

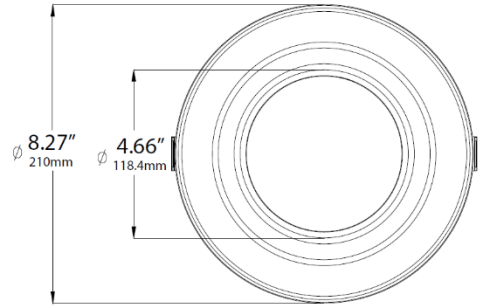
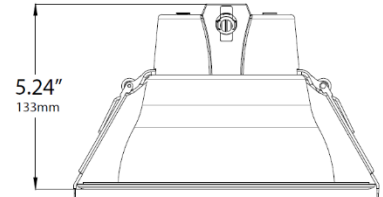
32W, 42W and 52W

# MEASUREMENTS

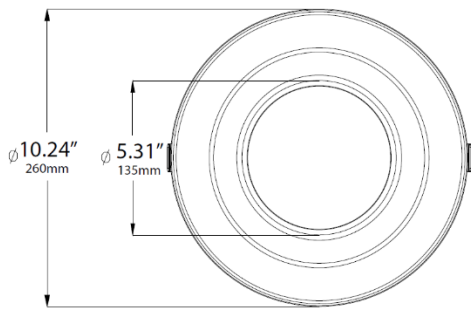
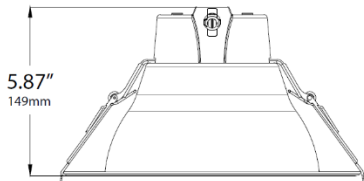
**4"**



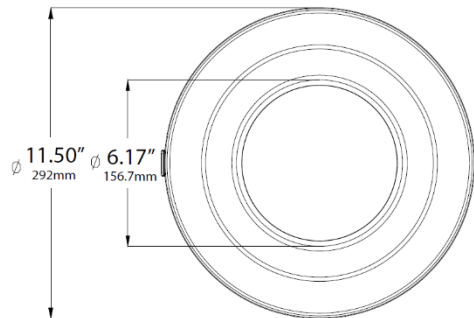
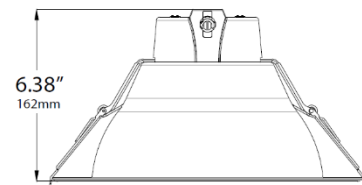
**6"**



**8"**



**9.5"**



MODEL	QUANTITY	WEIGHT	UPC CODE
LOC-4DL-MW(5.5/8/12)MCCT(30/40/50)D	1	0.90 lbs	00810050942850
LOC-8DL-MW(10/15/22)MCCT(30/40/50)D	1	1.51 lbs	00810050942423
LOC-9.5DL-MW(20/25/32)MCCT(30/40/50)D	1	1.75 lbs	00810050942430
LOC-6DL-MW(25/32/42)MCCT(30/40/50)D-HO	1	1.30 lbs	00810050942669
LOC-8DL-MW(32/42/52)MCCT(30/40/50)D-HO	1	1.51 lbs	00810050942676