

Date: \_\_\_\_\_ Location: \_\_\_\_\_  
 Product: \_\_\_\_\_ Project: \_\_\_\_\_  
 Quantity: \_\_\_\_\_ Catalog #: \_\_\_\_\_

## LED Multi Watt Multi CCT Down Light



4"

5.5W, 8W and 12W



6"

6" HO

7W, 10W and 18W 25W, 32W and 42W



8"

8" HO

10W, 15W and 22W 32W, 42W and 52W



9.5"

20W, 25W and 32W

### FEATURES

- Default Wattage:
  - 4" 12W
  - 6" 18W / 42W
  - 8" 22W / 52W
  - 9.5" 32W
- Default CCT: 5,000K
- IP44 rated
- Commercial grade
- Wattage selectable
- CCT selectable
- 50,000 hours lifetime

### SUITABLE APPLICATIONS

- Kitchens
- Bedrooms
- Bathrooms
- Corridors
- Hallways
- Museums

### CONSTRUCTION:

Downlight body and endcaps are both fabricated from aluminum for maximum rigidity. Lightweight aluminum heat sink designed to perform naturally convective cooling.

### OPTICAL SYSTEM:

Lumiled LED chips. General, medium, aisle distributions available to meet both horizontal and vertical light level requirements. 90° beam angle

### WARRANTY:

5-year limited warranty. Actual performance may differ as a result of end-user environment and application.

### ELECTRICAL:

Uses a -20°C to 40°C (-4°F to 104°F) case temperature drive. 0.90 power factor. Available as 120-277V input.

### INSTALLATION & MOUNTING:

Use torsion spring clips to install in place.

### DIMMING:

Dimmable range from 0-10V.



MODEL NUMBER – 3,000K 4,000K 5,000K	WATTAGE	LUMENS	EFFICACY	CRI	POWER FACTOR	REPLACES
LOC-4DL-MW(5.5/8/12)MCCT(30/40/50)D	5.5W / 8W / 12W	458.15LM / 666.6LM / 1,000LM	83.3LM/W	93	0.98	
LOC-6DL-MW(7/10/18)MCCT(30/40/50)D	7W / 10W / 18W	583.1LM / 833LM / 1,500LM	83.3LM/W	94	0.97	
LOC-8DL-MW(10/15/22)MCCT(30/40/50)D	10W / 15W / 22W	909LM / 1,363.5LM / 2,000LM	90.9LM/W	94	0.97	
LOC-9.5DL-MW(20/25/32)MCCT(30/40/50)D	20W / 25W / 32W	1,876LM / 2,345LM / 3,001.6LM	93.8LM/W	94	0.99	
LOC-6DL-MW(25/32/42)MCCT(30/40/50)D-HO**	25W / 32W / 42W	2,500LM / 3,000LM / 4,000LM	100LM/W	>90	0.9	
LOC-8DL-MW(32/42/52)MCCT(30/40/50)D-HO**	32W / 42W / 52W	3,300LM / 4,000LM / 5,000LM	96.15LM/W	>90	0.9	

### Energy Star ID:

- LOC-4DL-MW(5.5/8/12)MCCT(30/40/50)D - 2401832
- LOC-6DL-MW(7/10/19)MCCT(30/40/50)D - 2402001
- LOC-8DL-MW(10/15/22)MCCT(30/40/50)D - 2402002
- LOC-9.5DL-MW(20/25/32)MCCT(30/40/50)D - 2402003

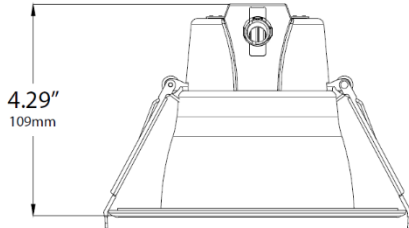
\*\* = CURRENTLY NOT ENERGY STAR LISTED

# LED MW MCCT DOWN LIGHT

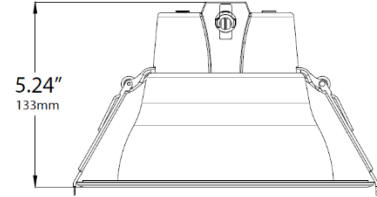
Series	Size	Wattage Options	CCT Options	Dimming	Type
LOC-DL	4"	5.5W / 8W / 12W	3,000K	D = 0-10V Dimming	HO = High Output
	6"	7W / 10W / 18W or 25W / 32W / 42W	4,000K		
	8"	10W / 15W / 22W or 32W / 42W / 52W	5,000K		
	9.5"	20W / 25W / 32W			

## MEASUREMENTS

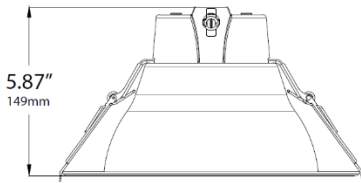
4"



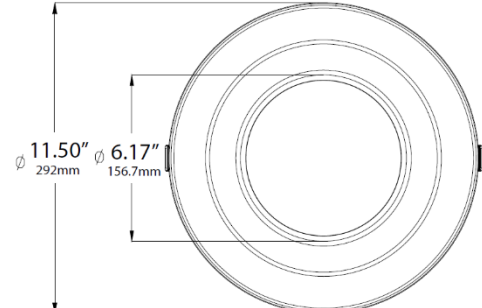
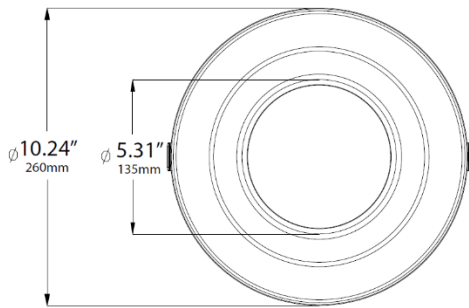
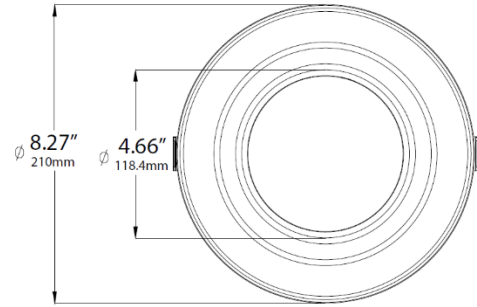
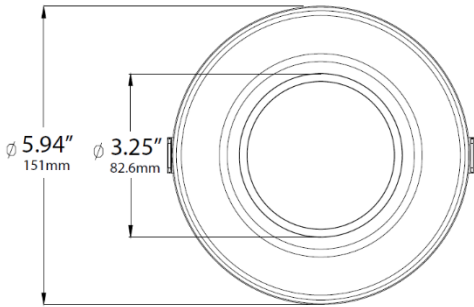
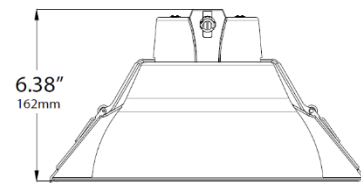
6"



8"



9.5"



MODEL	Quantity	Weight	UPC Code
LOC-4DL-MW(5.5/8/12)MCCT(30/40/50)D	1	lbs	00810050942850
LOC-6DL-MW(7/10/18)MCCT(30/40/50)D	1	lbs	00810050942416
LOC-8DL-MW(10/15/22)MCCT(30/40/50)D	1	lbs	00810050942423
LOC-9.5DL-MW(20/25/32)MCCT(30/40/50)D	1	lbs	00810050942430
LOC-6DL-MW(25/32/42)MCCT(30/40/50)D-HO	1	lbs	00810050942669
LOC-8DL-MW(32/42/52)MCCT(30/40/50)D-HO	1	lbs	00810050942676