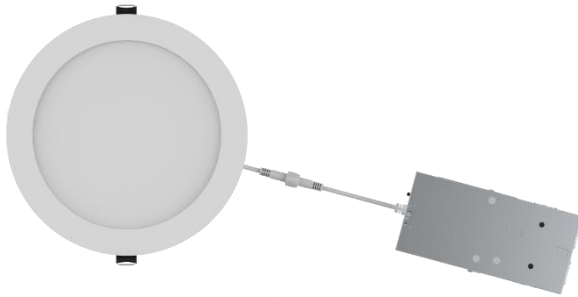
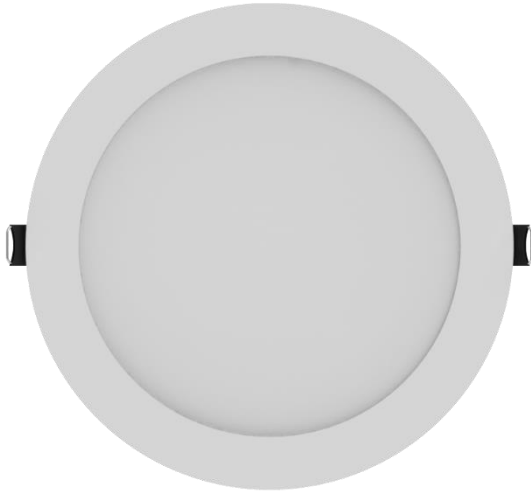


## LED LOC-8RDUT Ultra-Thin Round Panel Down Light 120-277V (Triac Dim or 0-10V Dim)



8 inches

### CONSTRUCTION:

Metal trim with metal board back plate and frosted lens.

### OPTICAL SYSTEM:

Hongli 2835 LED chips. 120° beam angle.

### WARRANTY:

5-year limited warranty. Actual performance may differ as a result of end-user environment and application.

### ELECTRICAL:

Available as 120-277V input.

-20°C to 40°C, -4°F to 104°F

### INSTALLATION & MOUNTING:

Surface mount.

### CONTROLS & DIMMING:

Triac Dimming or 0-10V dimming comes standard.

### FEATURES

- Default CCT: 5,000K
- IP20 rated
- 15" cord connector to J-Box
- Easy installation and maintenance
- Corrosion and rust proof
- 50,000 hours lifetime

### SUITABLE APPLICATIONS

- Kitchens
- Bedrooms
- Bathrooms
- Corridors
- Commercial

### Energy Star Product ID:

- LOC-8RDUT-22WMCCT(27/30/35/40/50)D – 2444188



### MOUNTING OPTION:



Surface Mount

### OPTIONAL ACCESSORY:



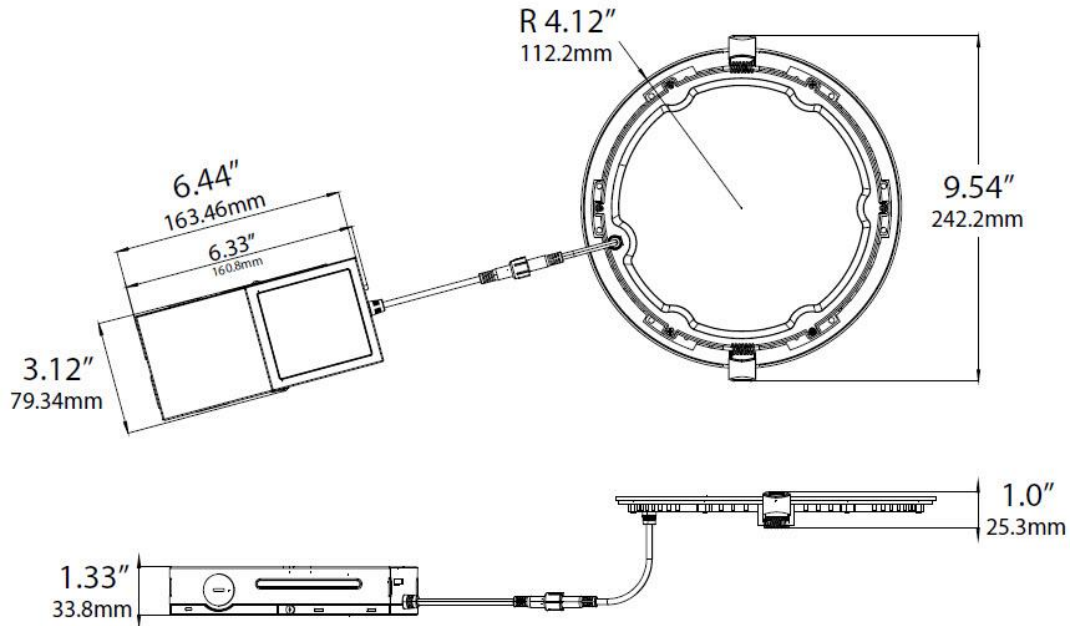
Emergency Battery  
LOC-EMDR-25WHV



## LOC-8RDUT-22WMCCT(27/30/35/40/50)D

WATTAGE	CCT SELECTABLE	LUMENS	EFFICACY	VOLTAGE	CRI	POWER FACTOR	REPLACES
22W	2700K / 3000K 3500K / 4000K /5000K	1,800LM	81.8lm/W	120-277V	91	0.99	65W

## MEASUREMENTS



MODEL	QUANTITY	WEIGHT	UPC CODE
LOC-8RDUT-22WMCCT(27/30/35/40/50)D	1	lbs	00810050942881

## CCT SELECTABLE

