

LOC-2FTLHB-MW(110/135/160)50KD Installation Guide

SAFETY INSTRUCTIONS: Read instructions carefully before attempting to install fixture.

- All wiring should be performed by a qualified electrician.
- Disconnect power before installing or servicing. This fixture must be wired in accordance with the National Electrical Code and applicable local codes and ordinances.

CAUTION: Risk of Fire

- **WARNING:** Make certain power is OFF before installing or maintaining fixture. No user serviceable parts inside.
- **WARNING:** This product must be installed in accordance with the applicable installation code by a person familiar with the construction and operation of the product and the hazards involved.
- **WARNING:** Always make sure the power is turned off before performing any maintenance.
- **WARNING:** Verify that the supply voltage is correct by comparing it with the luminaire label information.
- **WARNING:** All wiring connections should be capped with UL approved wire connectors.
- **WARNING:** To prevent wiring damage or abrasion, do NOT expose wiring to edges of sheet metal or other sharp objects to lamp holder lead wires by employing applicable connectors.
- **WARNING:** Do NOT use this product for other than intended use. To prevent early failure, luminaire should only be used in operation environments ranging from -20°C to 40°C.

CLEANING & MAINTENANCE:

CAUTION: Be sure the fixture temperature is cool enough to touch. Do NOT clean or maintain while the fixture is energized.

1. Clean lens with non-abrasive cleaning solution.
2. Do NOT open fixture to clean the LED. Do NOT touch the LED.

Note: These instructions do not cover all details or variation in equipment, nor do they provide for every possible situation during installation, operation or maintenance.

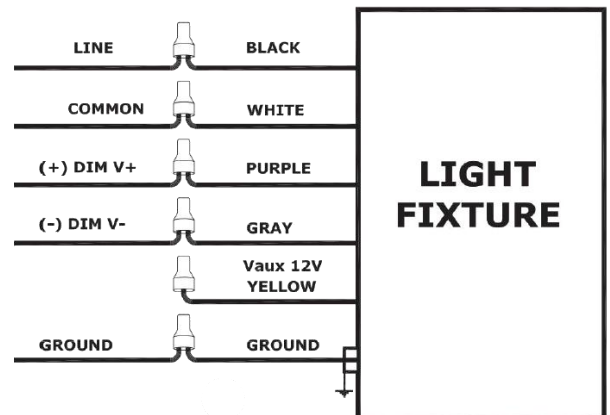
TROUBLESHOOTING:

1. Check that the line voltage at fixture is correct. Refer to wiring directions.
2. Be sure the fixture is grounded properly.

0-10V DIMMABLE WIRING:

Universal voltage driver permits operation at 120V through 277V, 50/60Hz. For 0-10V dimming, follow the wiring instructions. All units must be connected to AC power supply.

1. Connect the **BLACK** fixture lead to the **(+) LINE** supply lead.
2. Connect the **WHITE** fixture lead to the **(-) COMMON** supply lead.
3. Connect the **GROUND** wire from fixture to supply ground.
DO NOT connect the **GROUND** of the dimming fixture to the output.
4. Connect the **VIOLET** fixture lead to the **(V+) DIM** lead.
5. Connect the **GREY** fixture lead to the **(V-) DIM** lead.
6. The driver comes with dimmable leads. If it is unused, make sure the leads are properly capped (if applicable).

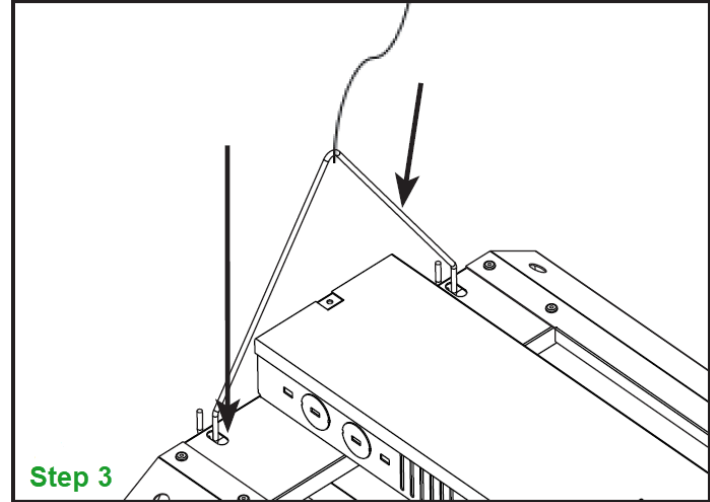
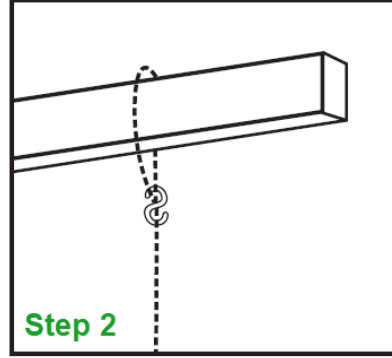
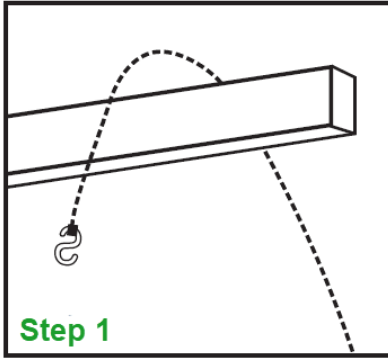


MOUNTING OPTIONS:

1. V-Hook and Chain Mounting:

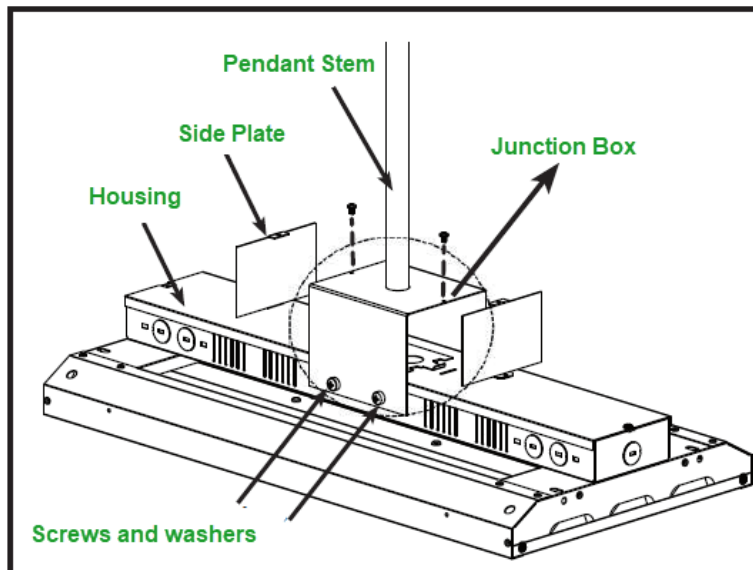
Cables must be connected in accordance to instruction and proper standing rules.

- Wrap the chain around the ceiling or service attachment point.
- Loop the chain around the ceiling or service point.
- Use an S or similar connector to close the loops.
- Slide the other end of the chain through the V-hook provided with the fixture.
- Install the V-hook into the two slots shown in Step 3 to support the fixture.



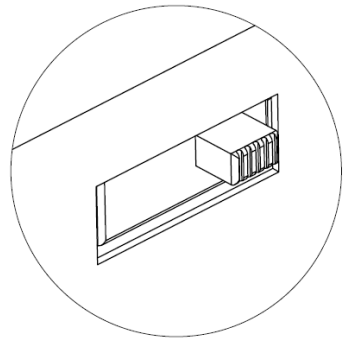
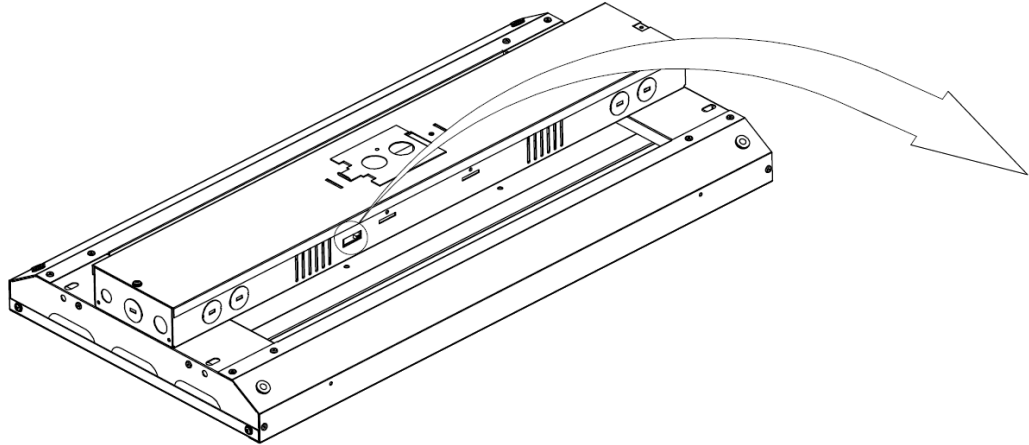
2. Pendant Mounting:

- Choose length of ½" NPS ped and stem (supplied by others).
- Install pendant mount kit including stem, junction box, screws and washers.
- Feed wires through the pendant stem and into the junction box.
- Wire the housing leads to supply wires using UL listed wire connectors according to NEC and local codes in the junction box.
- Push all wires back into the junction box, install the plate of box with supplied screws. Be careful not to pinch the wires.
- Slide the other end of the chain through the V-hook provided with the fixture.



WATTAGE ADJUSTABLE TABLE SWITCH SETTING:

(Only for models with wattage adjustable functions.)



**Adjustable Wattage Switch
Default Wattage: 160W**