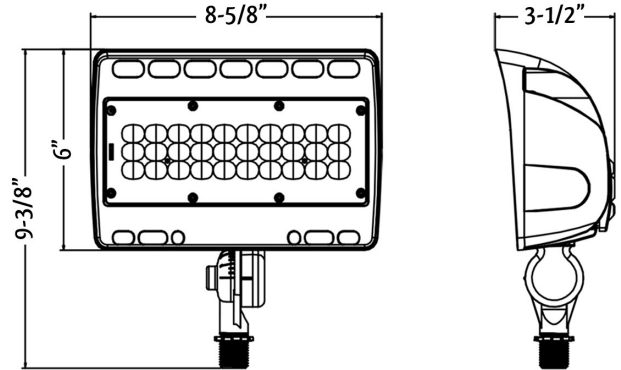
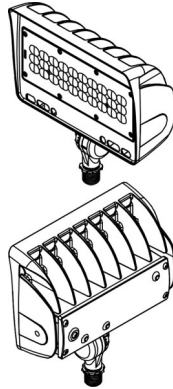


**DIMENSIONS:**

9-3/8"(H) x 8-5/8"(W) x 3-1/2"(D)



**LF4-50W-50K-D-KN**  
**LF4-50W-30K-D-KN**

**LF4 ARCHITECTURAL SERIES LED FLOOD LIGHT**

MODEL	WATTS	VOLTAGE	LUMENS	COLOR TEMP
LF4-50W-50K-D-KN	50W	120~277V AC	6750 LM	5000K
LF4-50W-30K-D-KN	50W	120~277V AC	6750 LM	3000K

Ideal for general site lighting, alleys, loading docks, doorway, pathway and parking areas. Great for use with motion sensors and other instant on/off controls.

**ELECTRICAL SPECIFICATIONS:**

- Voltage: 120-277VAC 50/60Hz
- Wattage: 50W
- Input current: 0.52A Max
- Power factor: >0.95
- Efficacy: 135LM/W

**LIGHTING SPECIFICATIONS:**

- Dimmable: 0-10V Dimming
- LED type/brand: Philips Lumileds LEDs / SMD 3030
- Total lumens: 5400LM and 6750LM
- Color temperature: 3000K / 5000K
- Color rendering index: >82
- Beam angle: 90° x 120°

**WARRANTY:** 5 years

**HOUSING SPECIFICATIONS:**

- Die-cast aluminum with powder coat finish (Dark Bronze)
- Operating temperature: -40°F ~ 104°F
- Lifespan: 50000 Hrs.
- IP rating: IP65, Wet Locations
- High light transmittance, anti-UV & fire resistant PC lens

**CERTIFICATIONS:** UL, DLC

