

JOB NAME: \_\_\_\_\_

DATE: \_\_\_\_\_

TYPE: \_\_\_\_\_



**LESW-15W-50K-P**  
**LESW-15W-30K-P**

**LESW-15W-50K-P-WH**  
**LESW-15W-30K-P-WH**

**LED SMALL NON-CUTOFF WALL PACK WITH PHOTOCELL**

Ideal for general site lighting, loading docks, doorway, pathway, and parking areas.

**ELECTRICAL SPECIFICATIONS:**

- Voltage: 100~277VAC, 60 Hz
- Wattage: 15W
- Power factor: 0.9
- Efficacy: 125 LM/W

**HOUSING SPECIFICATIONS:**

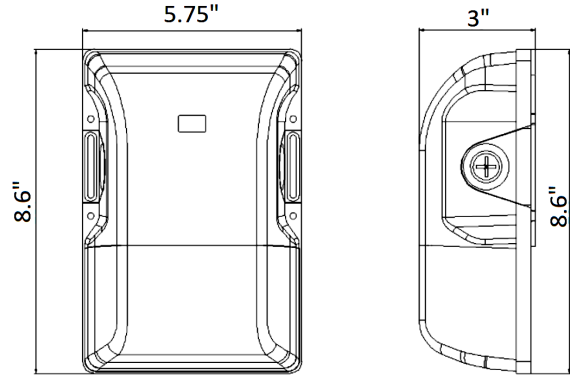
- Aluminum housing with Bronze/White finish
- Internal Driver
- NO UV & IR in the beam
- Operating temperature: -4°F to 113°F
- Lifespan: 70,000 hr.
- IP Rating: IP65

**CERTIFICATIONS: UL**



**DIMENSIONS:**

8.6"(L) x 5.75"(W) x 3"(H)



MODEL	WATTS	VOLTAGE	LUMENS	COLOR TEMP
LESW-15W-50K-P	15W	100~277VAC	1675LM	5000K
LESW-15W-30K-P	15W	100~277VAC	1875LM	3000K
LESW-15W-50K-P-WH	15W	100~277VAC	1675LM	5000K
LESW-15W-30K-P-WH	15W	100~277VAC	1875LM	3000K

**LIGHTING SPECIFICATIONS:**

- Lens: Polycarbonate lens
- LED Type: 2835(0.5W)
- Total lumens: 1675LM/1875LM
- Color temperature: 5000K/3000K
- Color rendering index: >80
- Beam Angle: 110°

**WARRANTY: 7 years**

