

PROJECT NAME: _____
 NOTES: _____

CAT. #: _____
 FIXTURE SCHEDULE: _____

Light Engine Round Retrofit Kit CCT Selectable



4"



5"



7"



CCT Switch

Product Description:

The MaxLite LED Round Retrofit Kit can be used to retrofit existing luminaires, or as a high quality light source in new luminaire designs. As a retrofit product, the kit provides residential and commercial property managers a unique opportunity to upgrade to the latest LED technology while avoiding the inconvenience and costs with replacing the full fixture. The ENERGY STAR certified kit is also an ideal solution for the OEM market, delivering superior 90-plus CRI across a full range of CCTs, wattages and diameters. The MaxLite design may be used with any diffuser type, permitting much wider application than competing designs.

Features:

- 2700K / 3000K / 4000K CCT selectable
- Supports Compliance of JA8-2016-E
- DOB design does not need a driver = longer life

Dimming:

- 120V triac dimming (10%)

Construction:

- Electrical Isolation Barrier
- Integral heat sink (steel material)
- Metal core PCB

Listings:

- ETL Classified
- Energy Star
- JA8

Ordering Information

FAMILY	SUB FAMILY	SIZE	WATTAGE	CRI	VOLTAGE	CCT SELECTABLE
LE= Light Engine	RK= Round Retrofit Kit	4= 4"	17= 17W	9= 90CRI	[BLANK]= 120V, Triac dimming	CS= 2700/3000/4000K CCT Selectable
		5= 5"	23= 23W			
		7= 7"	28= 28W			

Stocked Items

MODEL NUMBER	ORDER CODE	ENERGY STAR #
LERK4179CS	105837	2375657
LERK5239CS	105841	2375658
LERK7289CS	105846	2375659

Example Application



Ceiling Mount

Wall Mount



5-year standard warranty (further details available at www.maxlite.com/warranties)

Light Engine Round Retrofit Kit

CCT Selectable

UL Classified: Conditions of Use:

MODEL	DESCRIPTION
LERK4179CS (4")	Ceiling & wall mount luminaires with minimum dimensions: 6.10" Dia. X 0.98" depth
LERK5239CS (5")	Ceiling & wall mount luminaires with minimum dimensions: 7.48" Dia. X 0.98" depth
LERK7289CS (7")	Ceiling & wall mount luminaires with minimum dimensions: 9.44" Dia. X 1.06" depth

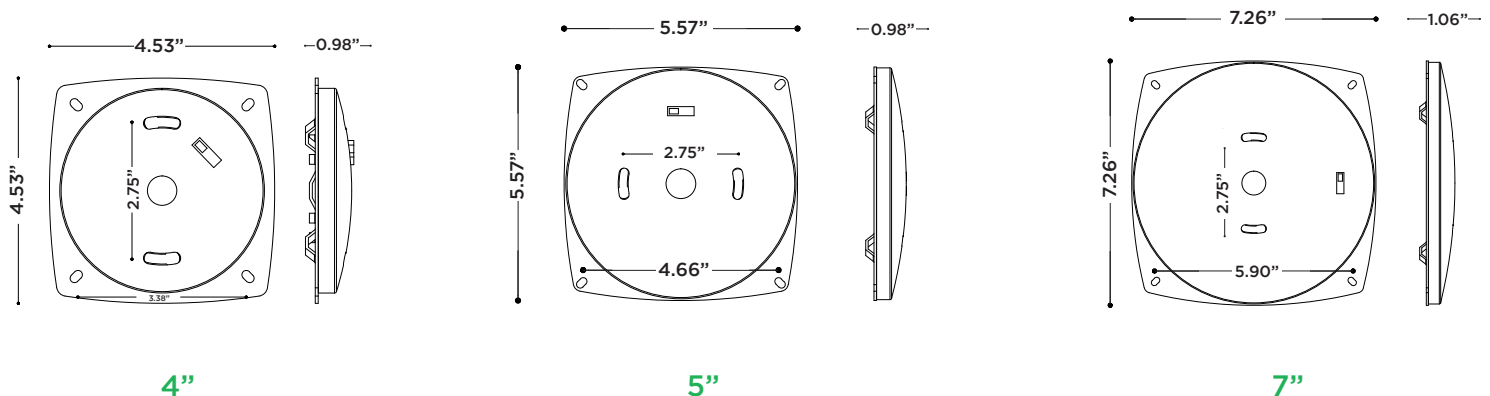
Stocked Items

DIMMER MODELS	
LUTRON	S-600PR-WH, TGCL-153PH-WH, MACL-153MH-LA
LEVITON	WA-RXXX-06674-12A

Specifications

	LERK4179CS	LERK5239CS	LERK7289CS
Nominal Wattage (W)	17	23	28
Lumens (lm)	≥1200	≥1700	≥2100
Efficacy (lm/w)	≥70.6	≥73.9	≥75
Distribution		110°	
CRI		≥90	
CCT (K)		CCT Selectable 2700/3000/4000K	
L70 Lifetime (hrs)		≥50,000hrs	
Voltage		120Vac 60Hz	
Power Factor		≥0.9	
Max Tc		221°F (105°C)	
Operating Temperature		-4°F to 104°F (-20° C to 40° C)	
Listings		ETL Classified, JA8, FCC	
Environment		Damp Location	
Warranty		5 years	

Dimensions



4"

5"

7"