



> Features:

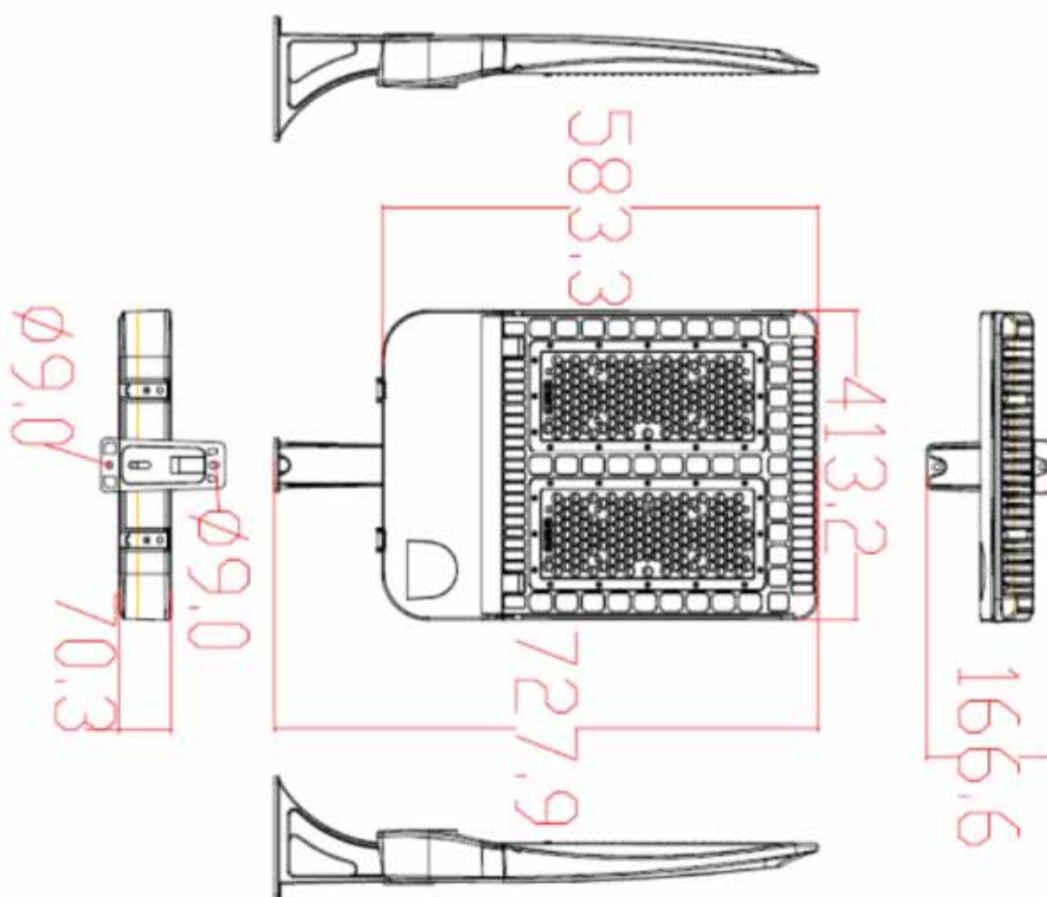
- Power Factor: ≥ 0.95
- LED Chip: Philips
- CRI: $Ra \geq 70$
- DLC premium
- Efficiency: 130lm/w
- Standard color: dark bronze
- Material: Aluminum alloy + PC optics lens
- Working Temperature: $-40^{\circ}\text{F} \sim 122^{\circ}\text{F}$
- Lifespan: > 54000 hours (@ $T_c = 176^{\circ}\text{F}$)
- Total Harmonic Distortio: 15%

> Ordering Information

Model	Wattage	CCT	Lumens	Voltage	Net Weight
YR-PL415-W200	200W	5000K	26,000lm	100-277V	8.4KG
YR-PL415-W300	300W	5000K	39,000lm	100-277V	9.0KG

Application: Parking lots , plaza lighting ,shopping mall, garden, roadway ,site & area lighting and general lighting applications.

> Dimension



> Light Distribution

Type III

