

Post Top LED Light

Project Information

Type

Name

Voltage



Product Description

Post Top Light luminaires Is Designed To Replace Traditional 150-400w Metal Halide Light. Suitable for 3inch Cylindrical Lamp Posts. High-performance illumination that lasts 50, 000Hours, With Over 80% Power Saving Performances.

Application

GardenSquares, etc.



Electric Characteristic

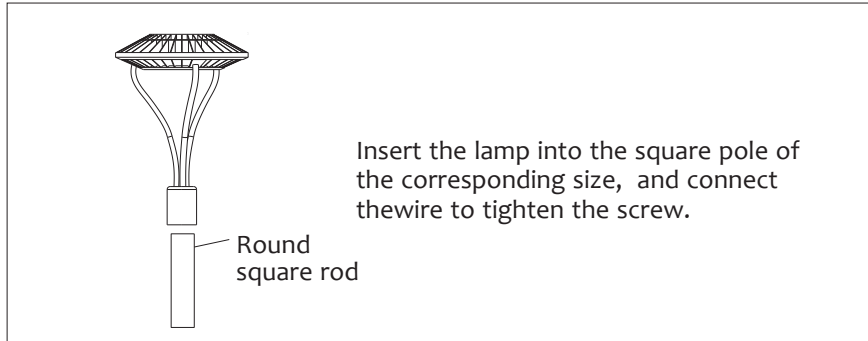
Specification/Model	LS-RMS-PT60W-15001D	LS-RMS-PT100W-15001D	LS-RMS-PT150W-15001D
LED Chips	Philip 3030		
Input power	60W	100W	150W
Lumens output	7800LM	13000LM	19500LM
Efficiency	130LM/W	130LM/W	130LM/W
Dimmable	YES		
Color Temperature	4000/5000/5700K		
Input voltage	100-277V UL Driver		
Light distribution type	90*140 D		
Housing	Die-Casting Aluminum Alloy		
Finish	Brown, Black, White		
lamps efficiency	≥90%		
Certificates	ETL,cETL		
Equivalent	120W-200W MH/HPS	200W-300W MH/HPS	300W-450W MH/HPS

Ordering Information

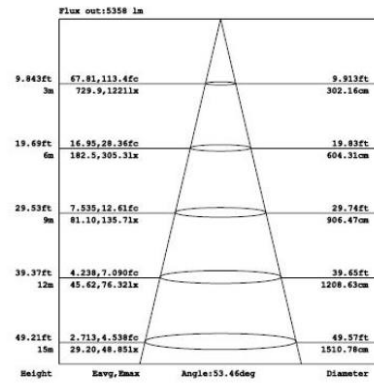
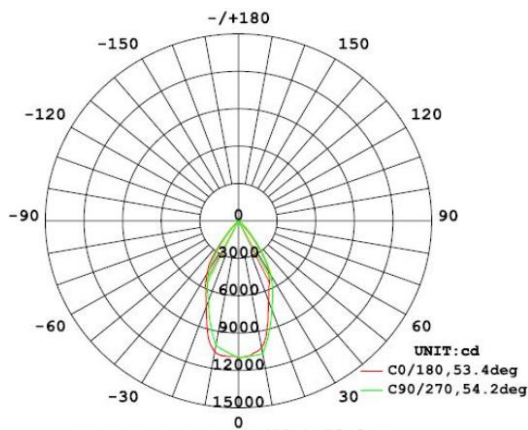
Example: LS-RMS-PT60W-40K-N-T

Product	Power	Replacement	Color Temperature	Photocell	Furnish
LS-RMS-PT60W-15001D	60W	120-180W MH/HPS	40K 4000K 50K 5000K 57K 5700K	N not photocell Y yes photocell	T-Black
LS-RMS-PT100W-15001D	100W	200-300W MH/HPS			
LS-RMS-PT150W-15001D	150W	300-450W MH/HPS			

Installation Options



Photometrics

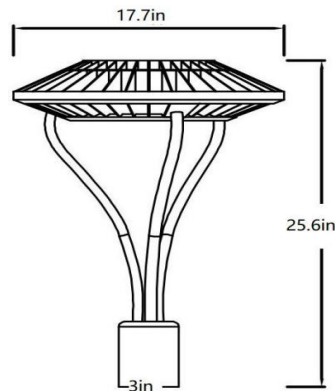


Projected LED Lumen Maintenance

Operating hours	0	25000	50000
Lumen maintenance factor	1	0.91	0.8

Data references the extrapolated performance projections for the POST TOP LED platform in a 25°C ambient, based on 10,000 hours of LED testing (tested per IESNA LM - 80-08 and projected per IESNA TM-21-11).

Dimensions



After Sale Service

The product refers to electricians knowledge. Please don't disassemble it by yourself. If any quality problem happens, please contact the factory for warranty details.

NOTE: Actual performance may differ as a result of end-user environment and application. All values are without notice.