

LEDPNLC2X4-50W

50 Watt 2x4 Color-Tunable
Ultra-Thin Edge-Lit LED Panel



Project:	
Type:	
Catalog #:	

STANDARD



The color-tunable ultra-thin, edge-lit LED panel (LEDPNLC) series is designed to deliver general ambient lighting in a variety of indoor settings, including schools, offices, hospitals and stores, and is the perfect choice for both new construction and retrofits. This high-efficacy luminaire provides long-life and uniform illumination, as well as standard 0-10 vdc dimming capability. A three-position switch provides field selection of 3000k, 4000k or 5000k color temperature.

FEATURES

- Field selection of 3000k (warm white), 4000k (neutral white) or 5000k (cool white) color temperature.
- Long-life LEDs provide 100,000 hours of operation with at least 70% of initial lumen output (L₇₀).
- Provides 5,085 luminaire lumens (102 lumens per watt, LPW) at 3000k; 5,587 luminaire lumens (112 LPW) at 4000k, and 5,456 luminaire lumens (109 LPW) at 5000k.
- Uniform illumination with no visible LED pixilation.
- Universal 120-277 AC voltage (50-60Hz) is standard.
- 0-10vdc dimming capability is standard.
- Power factor > 0.90.
- Total harmonic distortion < 20%.
- Color rendering index > 80.
- Aluminum housing.
- PMMA (polymethyl methacrylate) light guide plates resist yellowing.
- Easy installation in new construction or retrofit.
- Standard earthquake clips provide secure installation in grid ceilings.
- Standard mounting options include recessed mounting in grid ceilings, or suspended mounting using attached hanging brackets. For mounting in plaster or other hard ceiling, see Mounting Kits.

* Contact factory for other color temperatures and lumen packages.
** L₇₀ hours are IES TM-21-11 calculated hours.



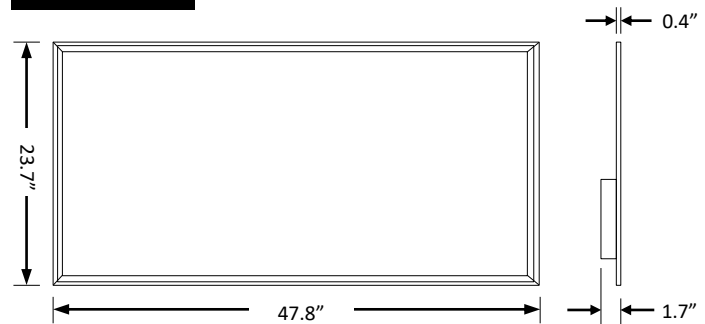
WARRANTY & LISTINGS

- cULus listed to applicable U.L. standards for damp locations and insulated ceilings (IC-rated). Suitable for ambient temperatures from -25°C to 45°C (-13°F to 113°F).
- DLC standard approved.
- Flicker-free per IEEE1789-2015 (no observable adverse effects of flicker at 100% light output level).
- Complies with RoHS (Restriction on Hazardous Substances) requirements.
- Complies with FCC Part 15, Class B.
- 5-year warranty of all electronics and housing.

MOUNTING KITS See below for details

- Optional Surface Mount Kits (LEDSMKT-24) and Flange Mounting Kits (FLANGEKIT24-ET) provide for installation on plaster or other hard ceilings.
- Optional Cable Mounting Kits (LEDPNL-CMK) provide additional security, as well as suspended mounting.

DIMENSIONS



Weight: 15.5 lbs.

ORDERING INFORMATION

Example: LEDPNLC2X4-50W + LEDSMKT-24 + LEDPNL-EMBRKT

Model	Luminaire Watts	Luminaire Lumens	Lumens/Watt	Color Temperature	Accessories (Order Separately)
LEDPNLC2X4-50W	50	5,085	102	3000k	LEDSMKT-24 = Surface Mounting Kit (2x4)
		5,587	112	4000k	FLANGEKIT24-ET = Flange Mounting Kit (2x4)
		5,456	109	5000k	LEDPNL-CMK = Cable Mounting Kit, Quantity 6, 1 meter long
					KTAT-70-480-277/A = 347/480V to 277V transformer, 70W
					KTAT-250-480-277/A = 347/480V to 277V transformer, 250W
					KTAT-375-480-277/A = 347/480V to 277V transformer, 375W
					BLEDEM-CP-1600 = Emergency battery backup driver, 10.7W***
					LEDPNL-EMBRKT = Bracket for emergency battery backup unit

LEDPNLC2X4-50W

50 Watt 2x4 Color-Tunable
Ultra-Thin Edge-Lit LED Panel



ELECTRICAL DATA

Model	Color Temperature	CRI ¹	Luminaire Lumens	Luminaire Watts	Lumens Per Watt	Input Voltage ²	Input Current (A)			Power Factor	THD ³	L ₇₀ Hours ⁴
							120V	240V	277V			
LEDPNLC2X4-50W	3000k	> 80	5,085	50	102	120-277	0.42	0.21	0.18	> 90%	< 20%	100,000
	4000k	> 80	5,587	50	112	120-277	0.42	0.21	0.18	> 90%	< 20%	100,000
	5000k	> 80	5,456	50	109	120-277	0.42	0.21	0.18	> 90%	< 20%	100,000

¹ Color rendering index.

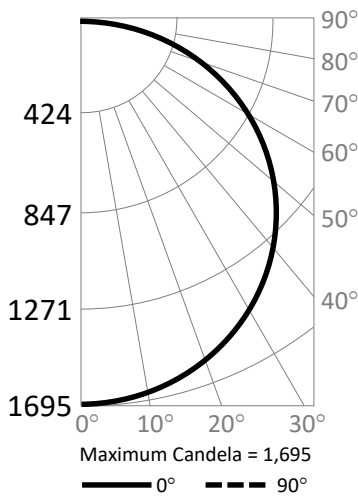
² All 50-60Hz.

³ Total harmonic distortion.

⁴ L₇₀ refers to the number of hours at which lumen output declines to 70% of the initial level. L₇₀ hours are IES TM-21-11 calculated hours.

PHOTOMETRIC DATA

LEDPNLC2X4-50W (3000k)



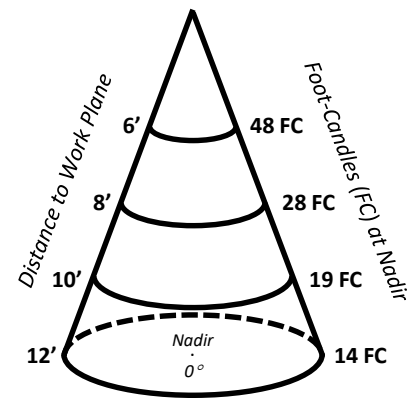
Candlepower Summary

	0°	90°
0°	1,695	1,695
10°	1,669	1,669
20°	1,598	1,587
30°	1,479	1,450
40°	1,312	1,265
50°	1,096	1,036
60°	831	770
70°	532	482
80°	226	200
90°	6	7

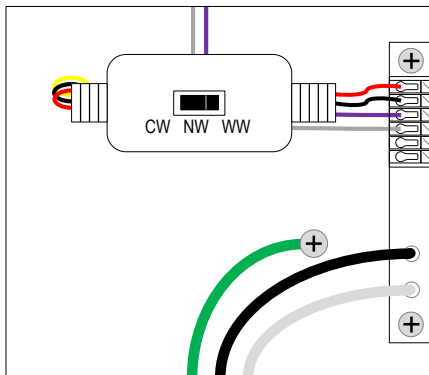
Zonal Lumen Summary

Zone	Lumens	% Fixture
0° - 10°	160	3.2%
0° - 20°	622	12.2%
0° - 30°	1,330	26.2%
0° - 40°	2,195	43.2%
0° - 50°	3,110	61.2%
0° - 60°	3,951	77.7%
0° - 70°	4,601	90.5%
0° - 80°	4,978	97.9%
0° - 90°	5,081	99.9%
90° - 180°	4	0.1%
0° - 180°	5,085	100.0%

Cone of Light



Field Selectable CCT Switch



Color Temperature Selections:

- Cool White (CW) — 5000k
- Neutral White (NW) — 4000k
- Warm White (WW) — 3000k

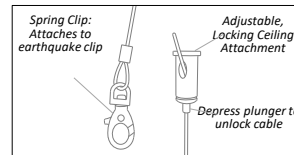
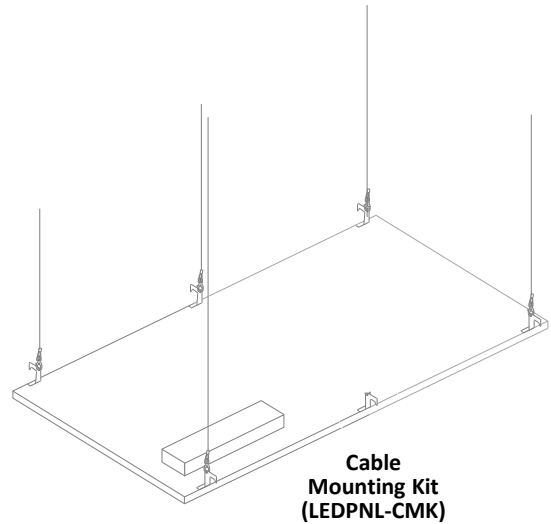
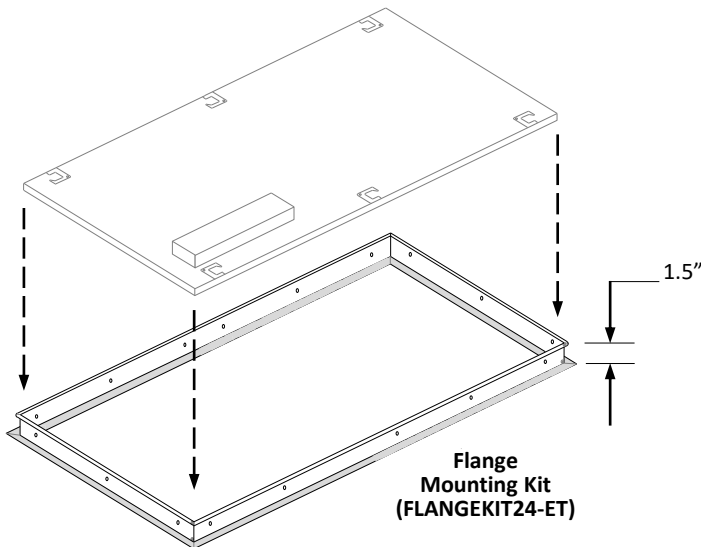
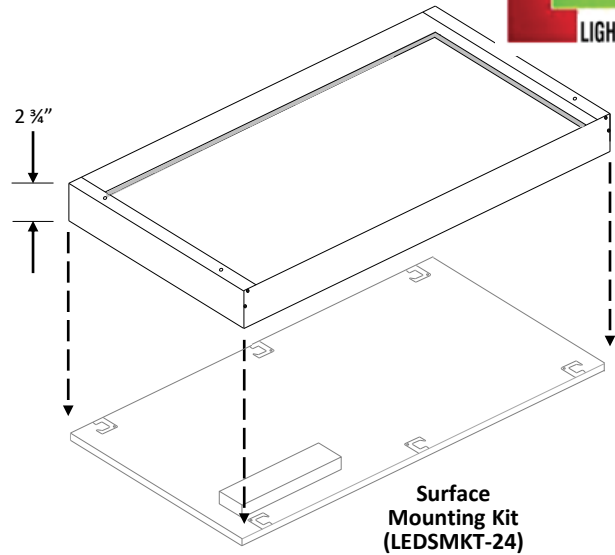
LEDPNLC2X4-50W

50 Watt 2x4 Color-Tunable
Ultra-Thin Edge-Lit LED Panel



OPTIONS

- Optional surface mounting kits (LEDSMKT-24) mounts below the ceiling.
- Optional flange mounting kits provide for recessed installation on plaster or other hard ceilings. Attach Flange Mount Kit (FLANGEKIT24-ET) to ceiling joists or other stationary structures, and the panel is mounted flush to the ceiling.
- Optional cable mounting kits provide additional security, as well as suspended mounting. Attach one end of the Cable Mount Kit (LEDPNL-CMK) to luminaire earthquake clips using spring clips, and attach the other end to stationary structures using the adjustable, locking ceiling attachment (see picture below right).
- Optional bracket for emergency battery backup unit (LEDPNL-EMBRKT) provides structural support to prevent panels from bending when battery backup units are installed.



Cable Mount Kit:

- Spring Clip
- Adjustable, locking ceiling attachment

