

# LEDPNLC2X2-40W

## 40 Watt 2x2 Color-Tunable Ultra-Thin Edge-Lit LED Panel



Project:	
Type:	
Catalog #:	



### STANDARD



The color-tunable, ultra-thin, edge-lit LED panel (LEDPNLC) series is designed to deliver general ambient lighting in a variety of indoor settings, including schools, offices, hospitals and stores, and is the perfect choice for both new construction and retrofits. This high-efficacy luminaire provides long-life and uniform illumination, as well as standard 0-10 vdc dimming capability. A three-position switch provides field selection of 3000k, 4000k or 5000k color temperature.

### FEATURES

- Field selection of 3000k (warm white), 4000k (neutral white) or 5000k (cool white) color temperature.\*
- Long-life LEDs provide 92,000 hours of operation with at least 70% of initial lumen output (L<sub>70</sub>).\*\*
- Provides 4,012 luminaire lumens (106 lumens per watt, LPW) at 3000k; 4,422 luminaire lumens (116 LPW) at 4000k, and 4,362 luminaire lumens (115 LPW) at 5000k.\*
- Uniform illumination with no visible LED pixilation.
- Universal 120-277 AC voltage (50-60Hz) is standard.
- 0-10vdc dimming capability is standard.
- Power factor > 0.90.
- Total harmonic distortion < 20%.
- Color rendering index > 80.
- Aluminum housing.
- PMMA (polymethyl methacrylate) light guide plates resist yellowing.
- Easy installation in new construction or retrofit.
- Standard earthquake clips provide secure installation in grid ceilings.
- Standard mounting options include recessed mounting in grid ceilings, or suspended mounting using attached hanging brackets. For mounting in plaster or other hard ceiling, see Mounting Kits.

\* Contact factory for other color temperatures and lumen packages.  
 \*\* L<sub>70</sub> hours are IES TM-21-11 calculated hours.

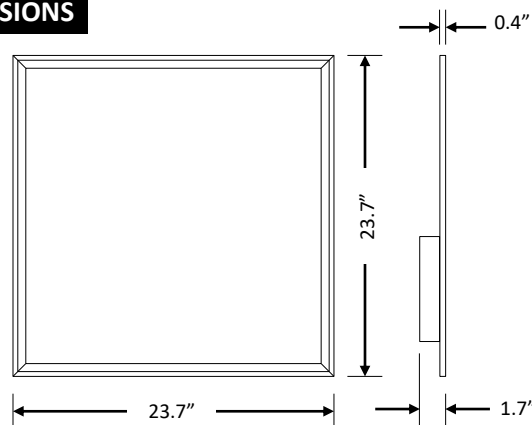
### WARRANTY & LISTINGS

- cULus listed to applicable U.L. standards for damp locations and insulated ceilings (IC-rated). Suitable for ambient temperatures from -25°C to 50°C (-13°F to 122°F).
- DLC standard approved.
- Flicker-free per IEEE1789-2015 (no observable adverse effects of flicker at 100% light output level).
- Complies with RoHS (Restriction on Hazardous Substances) requirements.
- Complies with FCC Part 15, Class B.
- 5-year warranty of all electronics and housing.

### MOUNTING KITS See below for details

- Optional Surface Mount Kits (LEDSMKT-22) and Flange Mounting Kits (FLANGEKIT22-ET) provide for installation on plaster or other hard ceilings.
- Optional Cable Mounting Kits (LEDPNL-CMK) provide additional security, as well as suspended mounting.

### DIMENSIONS



Weight: 9 ½ lbs.

### ORDERING INFORMATION

Example: LEDPNLC2X2-40W + LEDSMKT-22 + LEDPNL-EMBRKT

Model	Luminaire Watts	Luminaire Lumens	Lumens/Watt	Color Temperature	Accessories (Order Separately)
LEDPNLC2X2-40W	38	4,012	106	3000k	LEDSMKT-22 = Surface Mounting Kit (2x2)
		4,422	116	4000k	FLANGEKIT22-ET = Flange Mounting Kit (2x2)
		4,362	115	5000k	LEDPNL-CMK = Cable Mounting Kit, Quantity 6, 1 meter long
					KTAT-70-480-277/A = 347/480V to 277V transformer, 70W
					KTAT-250-480-277/A = 347/480V to 277V transformer, 250W
					KTAT-375-480-277/A = 347/480V to 277V transformer, 375W
					BLEDEM-CP-1600 = Emergency battery backup driver, 10.7W***
					LEDPNL-EMBRKT = Bracket for emergency battery backup unit

# LEDPNLC2X2-40W

40 Watt 2x2 Color-Tunable  
Ultra-Thin Edge-Lit LED Panel



## ELECTRICAL DATA

Model	Color Temperature	CRI <sup>1</sup>	Luminaire Lumens	Luminaire Watts	Lumens Per Watt	Input Voltage <sup>2</sup>	Input Current (A)			Power Factor	THD <sup>3</sup>	L <sub>70</sub> Hours <sup>4</sup>
							120V	240V	277V			
LEDPNLC2X2-40W	3000k	> 80	4,012	38	106	120-277	0.32	0.16	0.14	> 90%	< 20%	92,000
	4000k	> 80	4,422	38	116	120-277	0.32	0.16	0.14	> 90%	< 20%	92,000
	5000k	> 80	4,362	38	115	120-277	0.32	0.16	0.14	> 90%	< 20%	92,000

<sup>1</sup> Color rendering index.

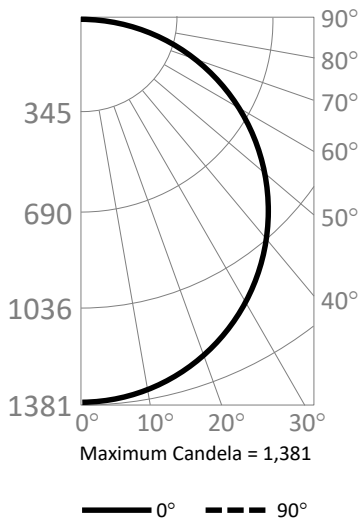
<sup>2</sup> All 50-60Hz.

<sup>3</sup> Total harmonic distortion.

<sup>4</sup> L<sub>70</sub> refers to the number of hours at which lumen output declines to 70% of the initial level. L<sub>70</sub> hours are IES TM-21-11 calculated hours.

## PHOTOMETRIC DATA

### LEDPNLC2X2-40W (3000k)



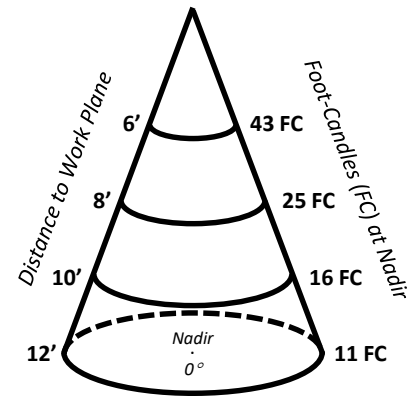
#### Candlepower Summary

	0°	90°
0°	1,381	1,381
10°	1,356	1,356
20°	1,285	1,285
30°	1,172	1,172
40°	1,021	1,021
50°	833	833
60°	617	617
70°	384	384
80°	157	157
90°	1	1

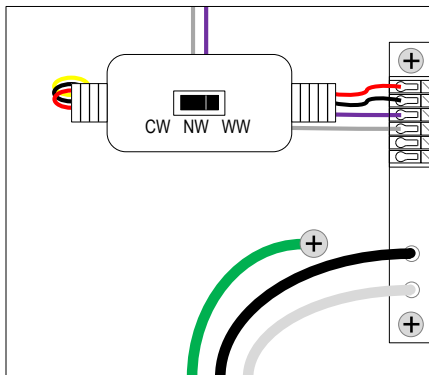
#### Zonal Lumen Summary

Zone	Lumens	% Fixture
0° – 10°	131	3.3%
0° – 20°	506	12.6%
0° – 30°	1,077	26.8%
0° – 40°	1,770	44.1%
0° – 50°	2,494	62.2%
0° – 60°	3,151	78.5%
0° – 70°	3,652	91.0%
0° – 80°	3,937	98.1%
0° – 90°	4,008	99.9%
90° – 180°	4	0.1%
0° – 180°	4,012	100.0%

#### Cone of Light



## Field Selectable CCT Switch



### Color Temperature Selections:

- Cool White (CW) – 5000k
- Neutral White (NW) – 4000k
- Warm White (WW) – 3000k

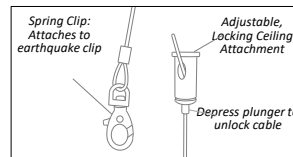
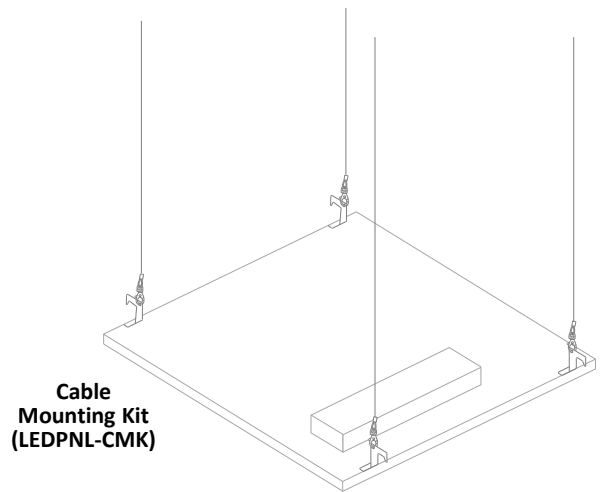
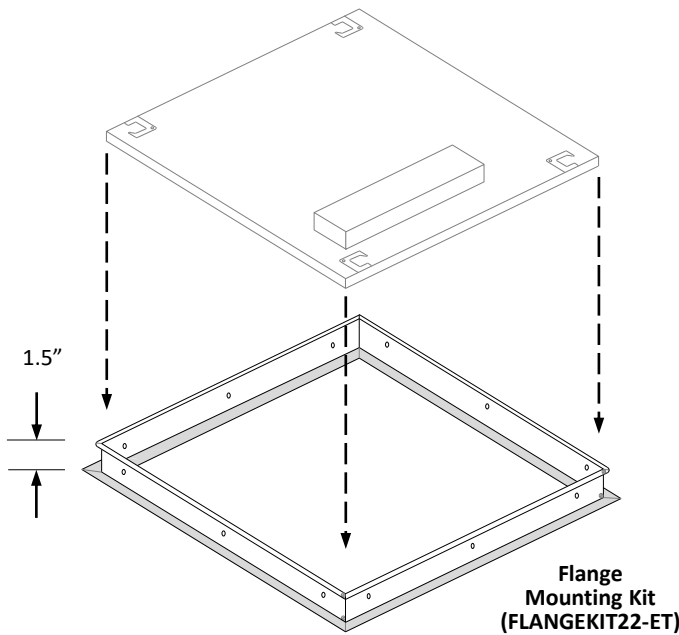
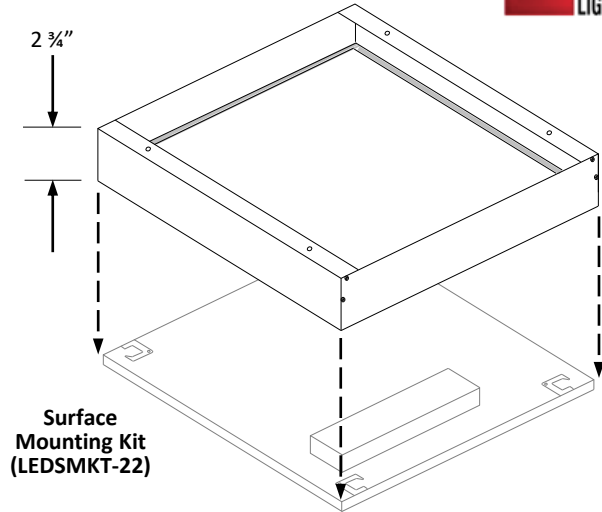
# LEDPNLC2X2-40W

## 40 Watt 2x2 Color-Tunable Ultra-Thin Edge-Lit LED Panel



### OPTIONS

- Optional surface mounting kits (LEDSMKT-22) mounts below the ceiling.
- Optional flange mounting kits provide for recessed installation on plaster or other hard ceilings. Attach Flange Mount Kit (FLANGEKIT22-ET) to ceiling joists or other stationary structures, and the panel is mounted flush to the ceiling.
- Optional cable mounting kits provide additional security, as well as suspended mounting. Attach one end of the Cable Mount Kit (LEDPNL-CMK) to luminaire earthquake clips using spring clips, and attach the other end to stationary structures using the adjustable, locking ceiling attachment (see picture below right).
- Optional bracket for emergency battery backup unit (LEDPNL-EMBRKT) provides structural support to prevent panels from bending when battery backup units are installed.



- Cable Mount Kit:
- Spring Clip
  - Adjustable, locking ceiling attachment

