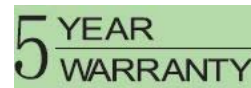


65W LED Slim Canopy Light

Product Pictures



- Lumileds LED, high luminous efficiency and long working life.
- High efficiency LED Driver, the wide range input voltage AC120-277V.
- Die cast aluminium cooling design, high quality and better cooling for LED $T_j < 85^{\circ}\text{C}$.
- Excellent Optics design, greatly improve the light utilization and evenness.
- **Motion Sensor Available (Option)**



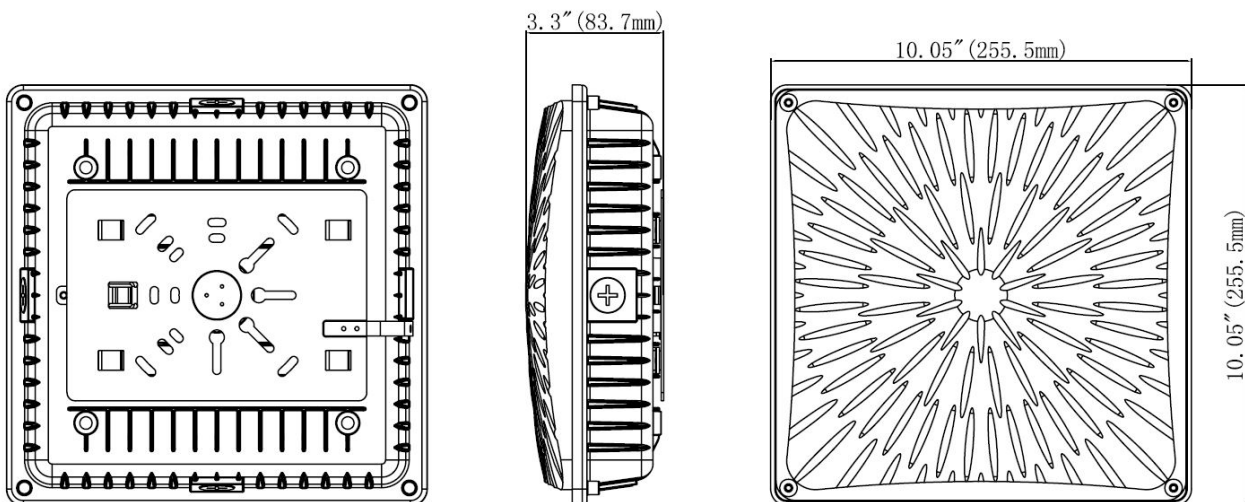
Product Applications

LED SLIM CANOPY Lighting series can be widely used in indoor or outdoor lighting (Wet location), like parking garage, mechanical or electronic processing workshops, storage warehouses, steel mills, gas stations, toll booth, waiting rooms, the platforms of railway station, indoor stadiums and flower cultivating tents etc.

Structure Features

- **Shell materials: Aluminum & PC .**
- **Finish: Dark Bronze/White**
- **Net weight: 3.80kgs (8.50 lbs)**

Unit: inch(mm)



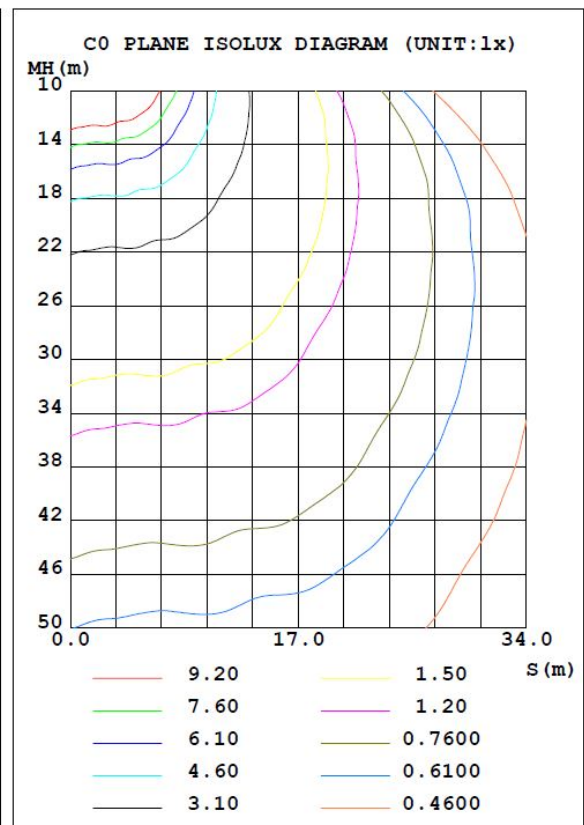
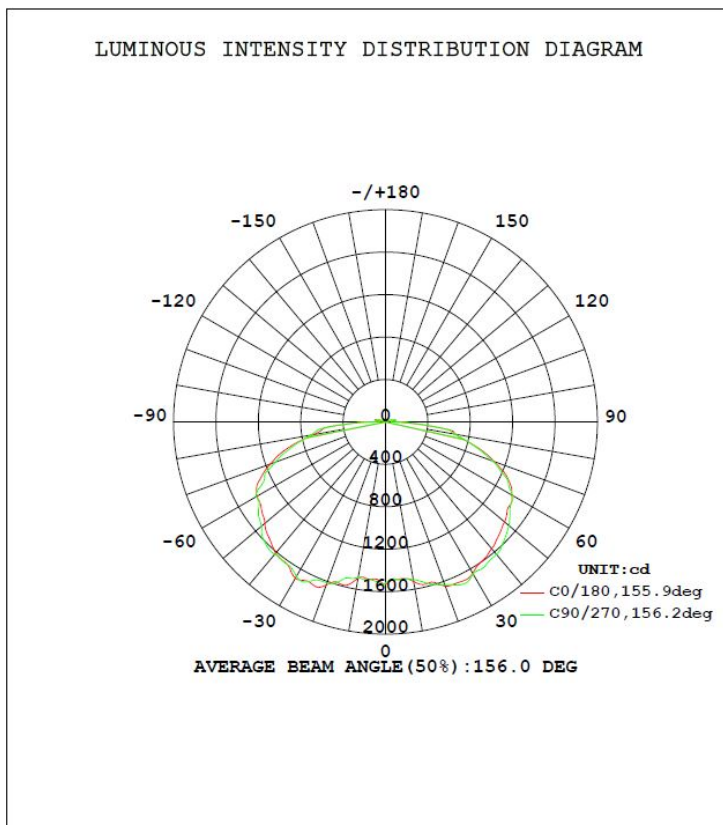
■ Technical Parameters

Type	WSD-CP65W27-XXK-Z-M		
Power	65W	Lighting Angle	150°
Input Voltage	AC120-277V	LED Brightness Decay	<5%/6000 hrs
PF	>0.95	Working Life	>50000 hrs
Driver Efficiency	>90%	Working Temperature	-30 - +45°C
Luminous Flux	8200 Lm	Storage Temperature	-40 -+80°C
Color Temperature	3000K/4000K/5000K/5700K	Protection Level	Wet Location/IP65
CRI	Ra>80	Cable	Input Connect, No cable

Remark: “Z” may be D or W represented color,

“M” may be Motion Sensor.

■ Light Distribution Curve (Clear Lens)



65W LED Slim Canopy Light

■ ORDERING INFORMATION:

EXAMPLE: WSD-CP 65W 27-50K-D-M

WSD	CP	65W	27	50K	D	M
Company	Product	Power	Voltage	Color Temp	Finish	Control
WISDOM	CP Canopy	45W(45W) 65W(65W)	27 AC120-277V	30K (3000K) 40K (4000K) 50K (5000K) 57K (5700K) ± 500K	D Dark Bronze W White	10V Diming 1-10V M Motion Sensor

■ Product Certifications

