

200W LED SHOEBOX AREA LIGHT

■ Product Features



- High efficiency LED Driver, the wide range input voltage AC120-277V or AC200-480V;
- Lumileds LED high luminous efficiency and long life.
- Cast aluminium design, better cooling and easy replacement, light quality, LED Tj < 85°C.
- Excellent optical design, greatly improve the light utilization and evenness.
- **Photocell Control and Motion Sensor Available (Option)**



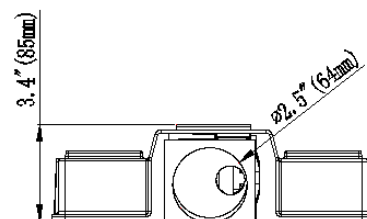
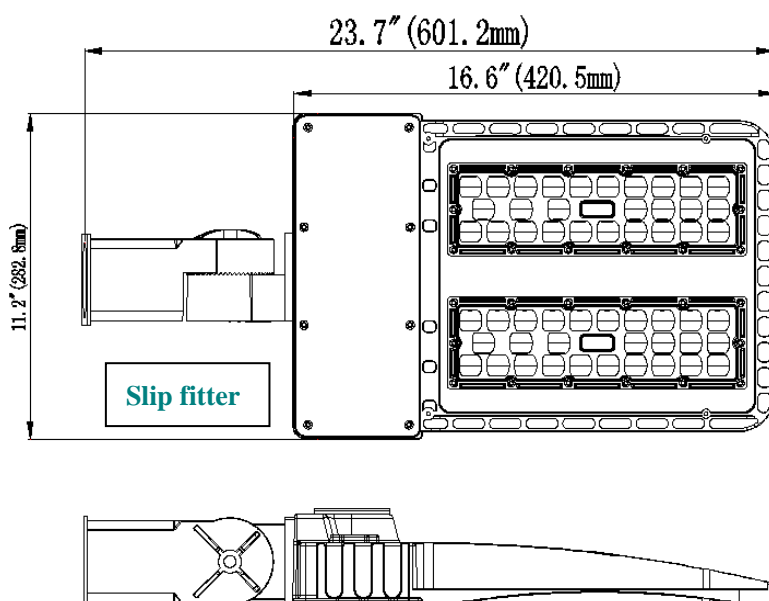
■ Product Applications

WSD LED SHOEBOX AREA LIGHT series can be widely used in Urban roads, Industrial areas, Residential areas, Sidewalks, Parking lot, Schools, Gardens and etc.

■ Structure Features

- **Shell materials:** Aluminum & PC.
- **Finish:** Dark Bronze/White
- **Net weight:** 7.50kgs (16.60 lbs)
- **Packing Size:** 26 " * 13.8 " * 7.3 " (660 * 350 * 185mm)

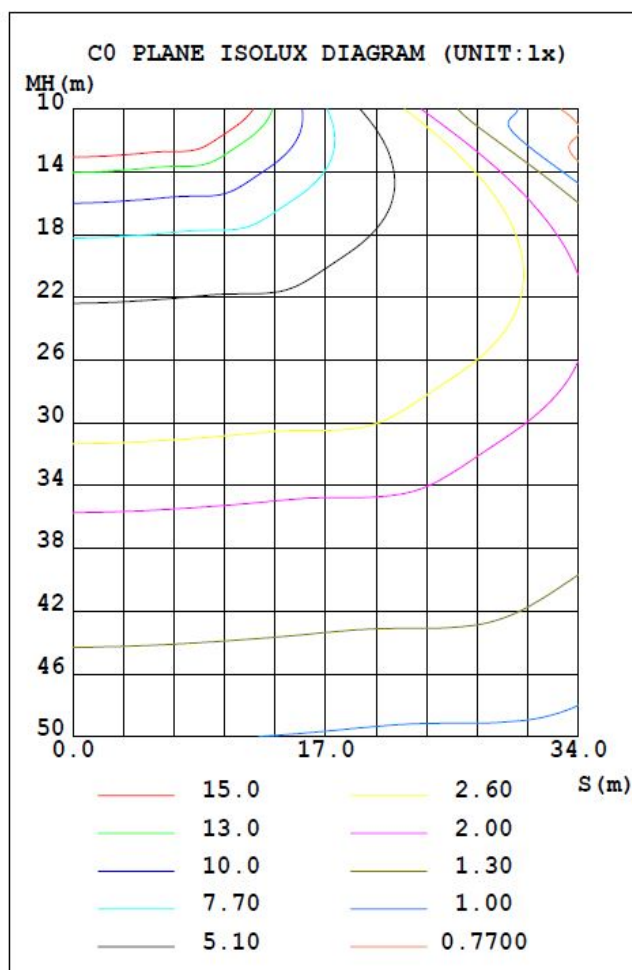
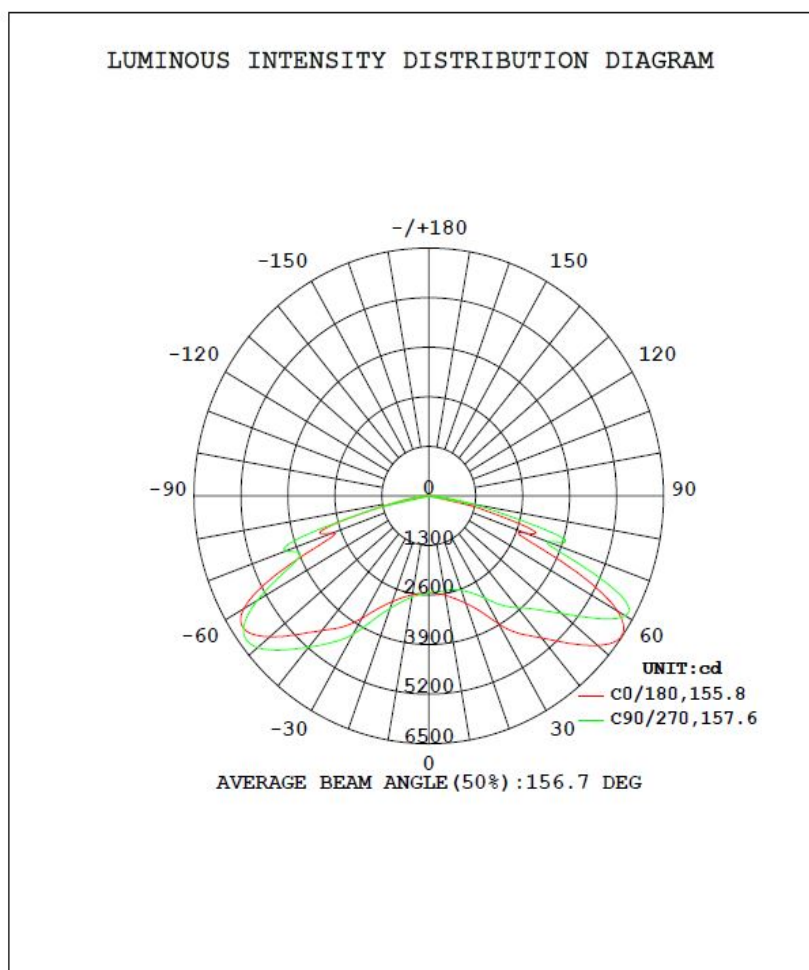
Unit: inch(mm)



■ Technical Parameters

Type	WSD-SB20W27-XXK-Z-TN-U-Y WSD-SB20W48-XXK-Z-TN-U-Y		
Power	200W	Lighting Angle	Type II, Type III, Type V
Input Voltage	AC120-277V AC277-480V	LED Brightness Decay	<5%/6000 hrs
PF	>0.95	Working Life	>50000 hrs
Driver Efficiency	>90%	Working Temperature	-30 - +45°C
Luminous Flux	22400Lm	Storage Temperature	-40 -+80°C
Color Temperature	3000K/4000K/5000K/5700K	Protection Level	Wet Location/IP65
CRI	Ra>80	Cable	3 core, 18AWG

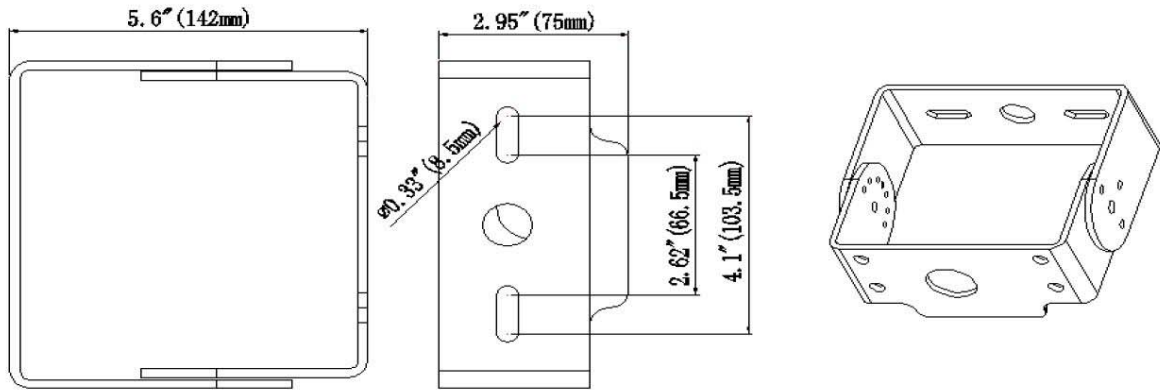
■ Photometry and Type V:



■ Accessory Option:

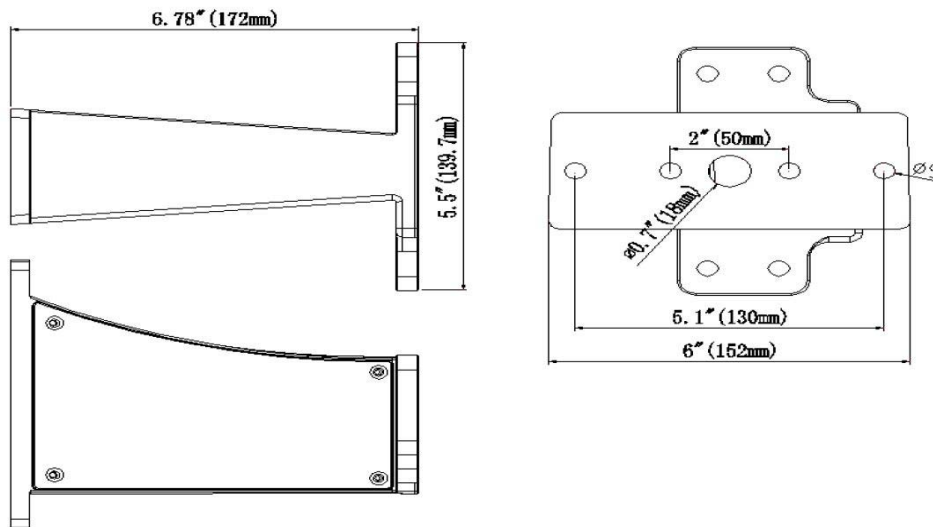
II T: TRUNNION MOUNTING

Dimensions of the trunnion

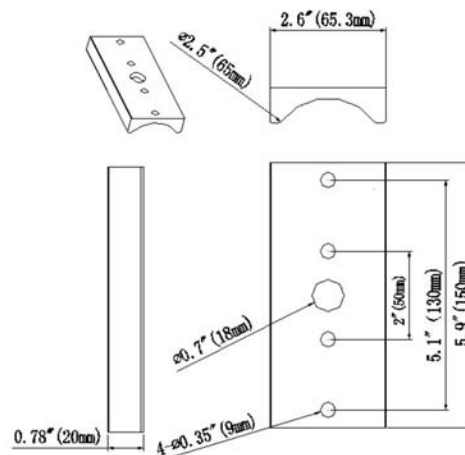


III A1: ARM MOUNTING FOR SQUARE POLE

Arm dimensions



■ ARM Adaptor for Round Pole:



200W LED SHOEBOX AREA LIGHT



● ORDERING INFORMATION:

EXAMPLE: WSD-SB 20W 27-40K-D-T5-S-P

WSD	SB	10W	27	50K	D	T5	S	P
Company	Product	Power	Voltage	Color Temp	Finish	IES	Mount	Control
WISDOM	SB SHOEBOX LIGHT	06W(60W)	27	40K (4000K)	D	T2	S	P
		10W(100W)	AC120-277V	50K (5000K)	Dark	TypeII	Slip fitter	120-277V
		15W(150W)	48	57K (5700K)	Bronze	T3	T	Photocell
		20W(200W)	AC200-480V	± 500K	W	TypeIII	Trunion	10V
		30W(300W)			White	T5	A	Dimming1-10V
						TypeV	Arm	M
								Motion Sensor

While “XX” may be any digits represented color temperature;
 “Z” may be D or W represented color,
 “N” can be 2, 3 or 5 represented type of lighting distribution;
 “U” can be S, A or T mounting.
 “Y” may be “P” or blank represented type of photoelectric Switches
 “10V” be dimming 1-10V Control
 “M” be Motion Sensor Control.

■ Product Certifications



■ Contact Us

