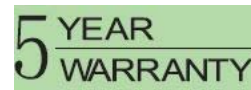


100W LED SHOEBOX AREA LIGHT

■ Product Features



- High efficiency LED Driver, the wide range input voltage AC120-277V or AC200-480V;
- Lumileds LED high luminous efficiency and long life.
- Cast aluminium design, better cooling and easy replacement, light quality, LED Tj < 85°C.
- Excellent optical design, greatly improve the light utilization and evenness.
- **Photocell Control and Motion Sensor Available (Option)**

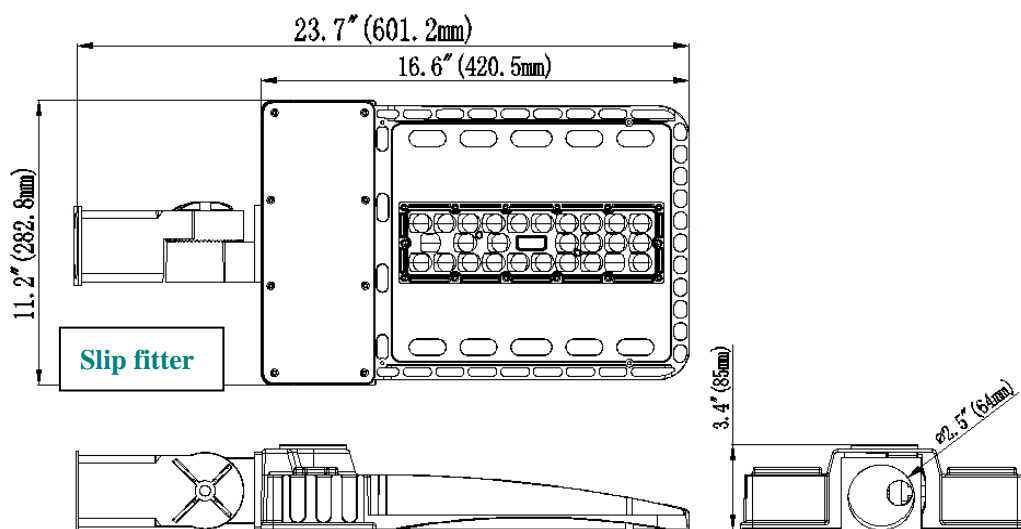


■ Product Applications

WSD LED SHOEBOX AREA LIGHT series can be widely used in Urban roads, Industrial areas, Residential areas, Sidewalks, Parking lot, Schools, Gardens and etc.

■ Structure Features

- **Shell materials:** Aluminum & PC.
- **Finish:** Dark Bronze/White
- **Net weight:** 4.50kgs (9.92 lbs) **Unit:** inch(mm)
- **Packing Size:** 26 " * 13.8 " * 7.3 " (660 * 350 * 185mm)



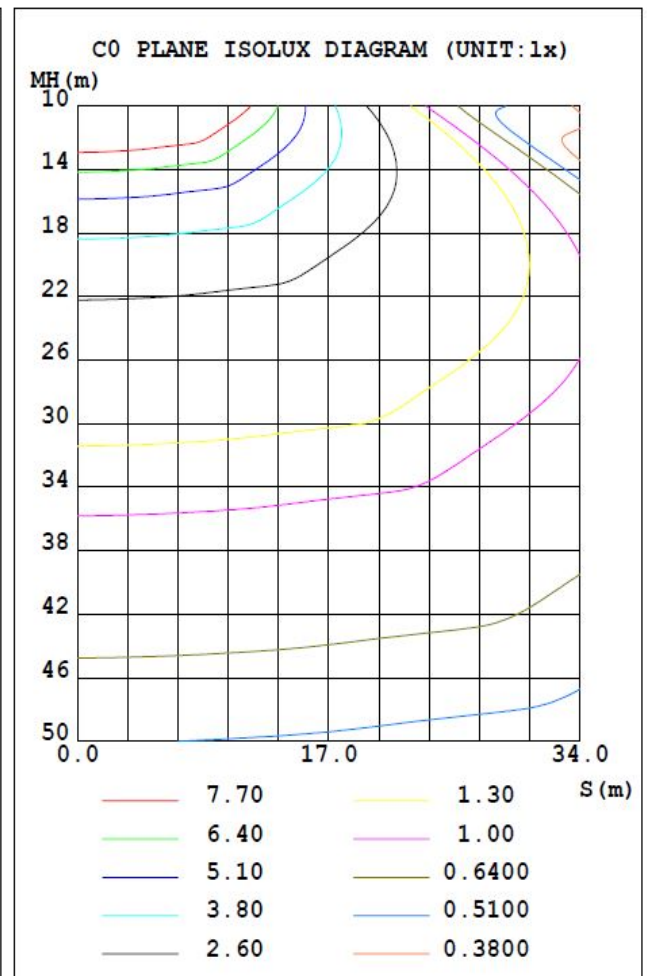
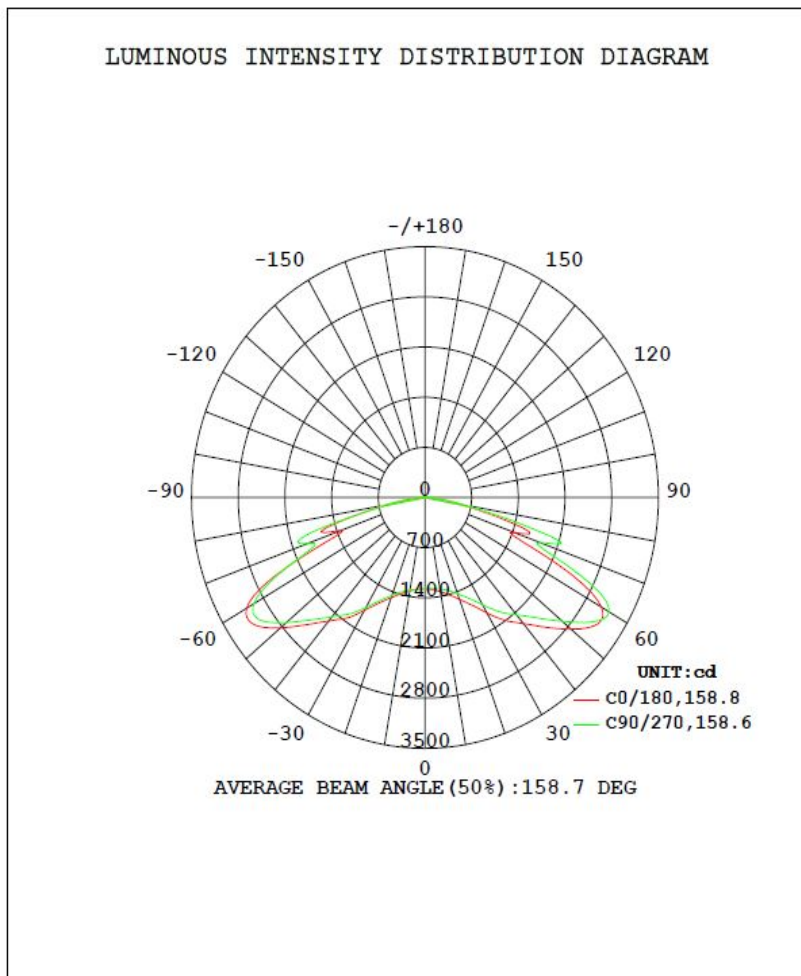
100W LED SHOEBOX AREA LIGHT



■ Technical Parameters

| Type | WSD-SB10W27-40K-Z-TN-U-Y WSD-SB10W48-40K-Z-TN-U-Y | | |
|-------------------|--|----------------------|---------------------------|
| Power | 100W | Lighting Angle | Type II, Type III, Type V |
| Input Voltage | AC120-277V AC200-480V | LED Brightness Decay | <5%/6000 hrs |
| PF | >0.95 | Working Life | >50000 hrs |
| Driver Efficiency | >90% | Working Temperature | -30 - +45°C |
| Luminous Flux | 12479Lm | Storage Temperature | -40 -+80°C |
| Color Temperature | 4000K/5000K/5700K | Protection Level | Wet Location/IP65 |
| CRI | Ra>80 | Cable | 3 core, 18AWG |

■ Photometry and Type V:

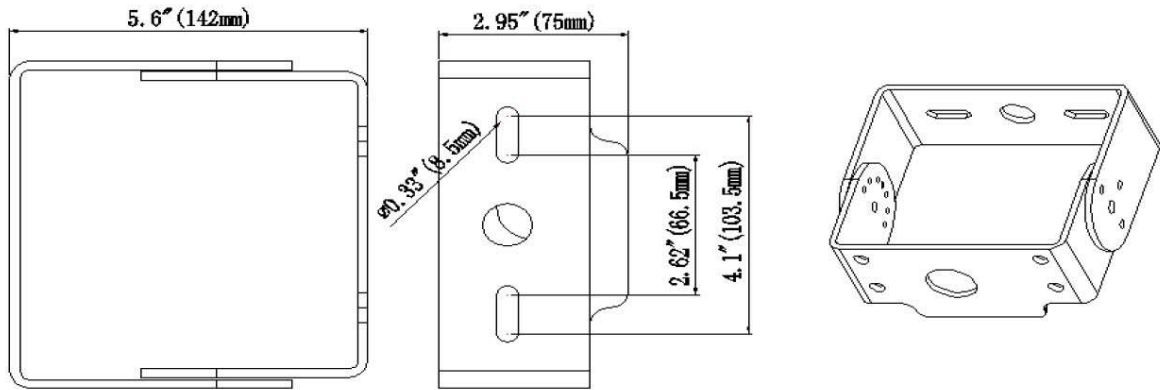


100W LED SHOEBOX AREA LIGHT

■ Accessory Option:

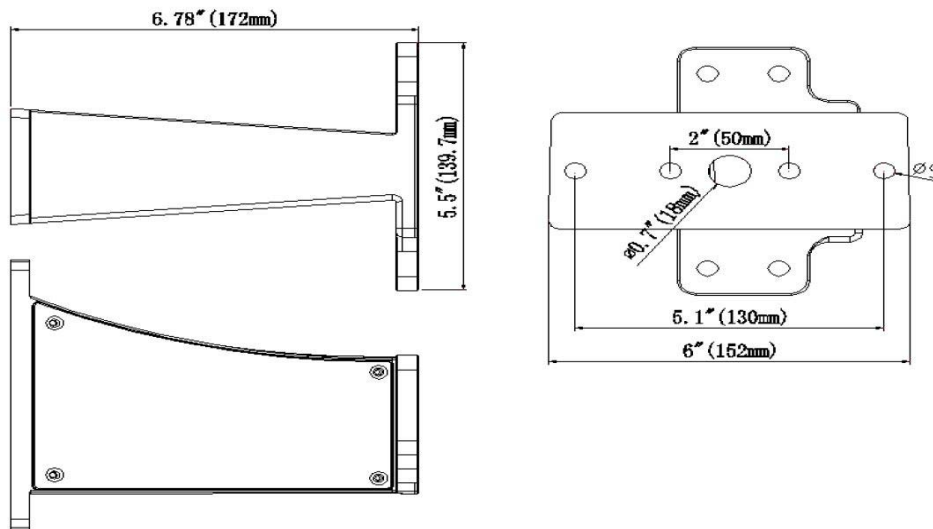
II T: TRUNNION MOUNTING

Dimensions of the trunnion

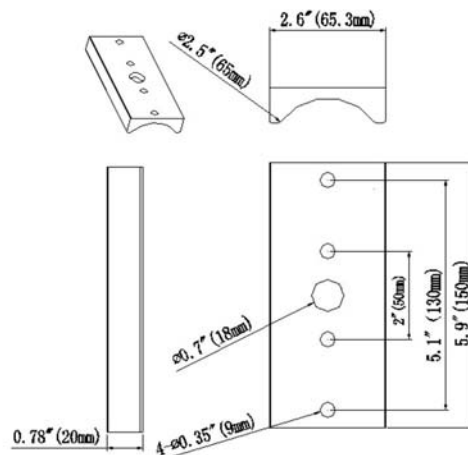


III A1: ARM MOUNTING FOR SQUARE POLE

Arm dimensions



■ ARM Adaptor for Round Pole:



100W LED SHOEBOX AREA LIGHT

● ORDERING INFORMATION:

EXAMPLE: **WSD-SB 10W 27-40K-D-T5-S-P**

| WSD | SB | 10W | 27 | 40K | D | T5 | S | P |
|---------|------------------------|-----------|------------|-------------|--------|---------|-------------|---------------|
| Company | Product | Power | Voltage | Color Temp | Finish | IES | Mount | Control |
| WISDOM | SB SHOEBOX LIGHT | 06W(60W) | 27 | 40K (4000K) | D | T2 | S | P |
| | | 10W(100W) | AC120-277V | 50K (5000K) | Dark | TypeII | Slip fitter | 120-277V |
| | | 15W(150W) | 48 | 57K (5700K) | Bronze | T3 | T | Photocell |
| | | 20W(200W) | AC200-480V | ± 500K | W | TypeIII | Trunion | 10V |
| | | 30W(300W) | | | White | T5 | A | Dimming1-10V |
| | | | | | | TypeV | Arm | M |
| | | | | | | | | Motion Sensor |

While “XX” may be any digits represented color temperature;
 “Z” may be D or W represented color,
 “N” can be 2, 3 or 5 represented type of lighting distribution;
 “U” can be S, A or T mounting.
 “Y” may be “P” or blank represented type of photoelectric Switches
 “10V” be dimming 1-10V Control
 “M” be Motion Sensor Control.

■ Product Certifications



■ Contact Us

