

■ Product Pictures



- Philips Lumileds LED, high luminous efficiency and long working life.
- High efficiency LED Driver, the wide range input voltage AC120-277V;
- Cast aluminium cooling design better cooling, better cooling, light quality, LED Tj < 85°C.
- Excellent Optic design, greatly improved the light utilization and evenness.
- **Photocell Control**



PHILIPS
LUMILEDS

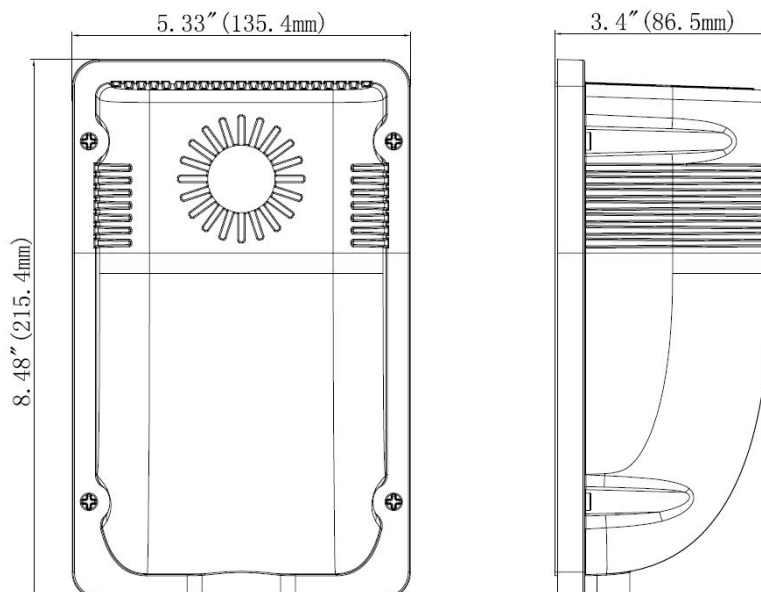
5 YEAR
WARRANTY

■ Product Applications

LED WALL PACK Lighting series can be widely used in indoor or outdoor lighting (Wet location), like mechanical or electronic processing workshops, storage warehouses, steel mills, gas stations, toll booth, waiting rooms, the platforms of railway station, indoor stadiums and flower cultivating tents etc.

■ Structure Features

- **Shell materials: Aluminum & PC .** **Color: Black**
- **Net weight: 1.50Kg** Unit: inch (mm)

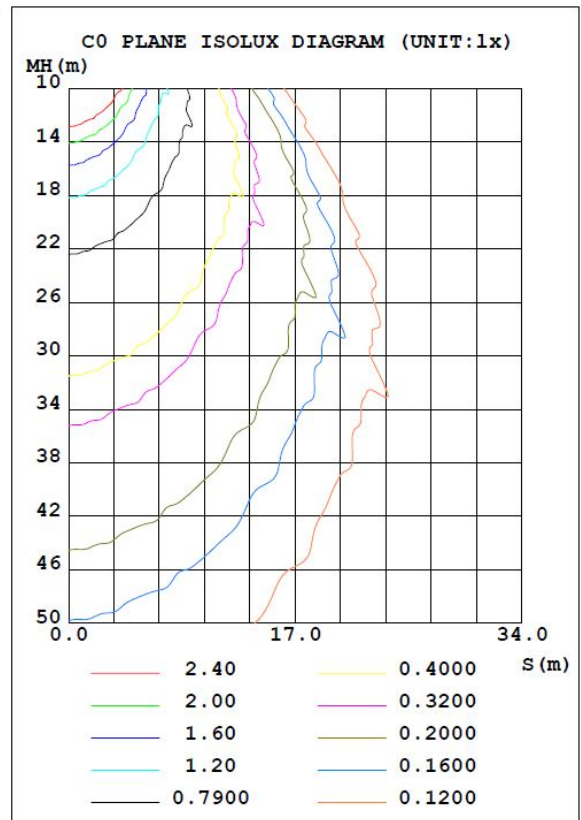
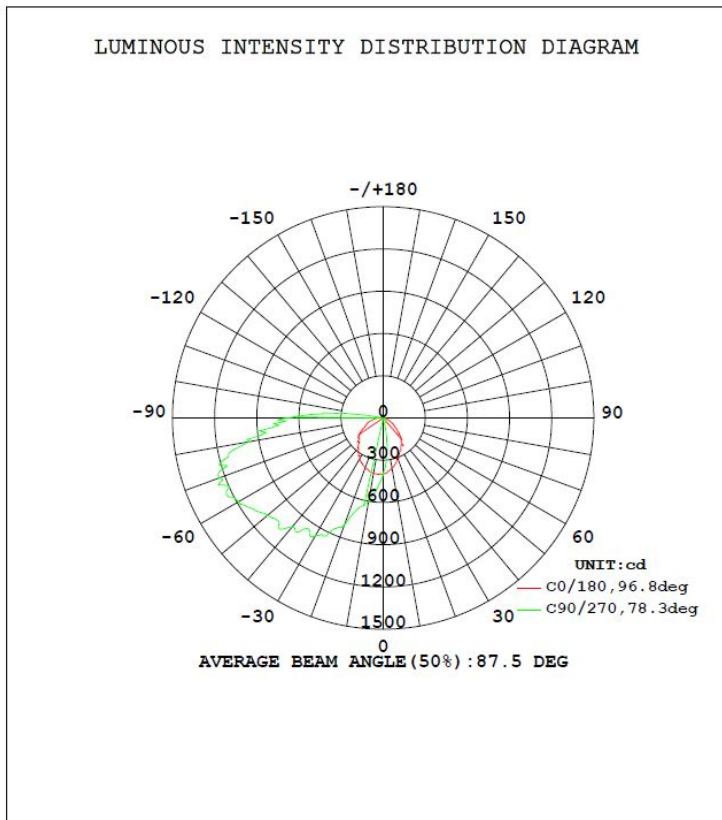


20W LED Wall Pack Light

■ Technical Parameters

Type	WSD-WP02W27-xxK-P		
Power	20W	Lighting Angle	80° *100°
Input Voltage	AC120-277V	LED Brightness Decay	<5%/6000 hrs
PF	>0.95	Working Life	>50000 hrs
Driver Efficiency	>90%	Working Temperature	-30 - +45°C
Luminous Flux	2450 Lm	Storage Temperature	-40 -+80°C
Color Temperature	4000K/5000K	Protection Level	Wet Location/IP65
CRI	Ra>80	Cable	3 core, 18AWG inside
Turn-on Light Level	10-20Lux	Turn-off Light Level	30-60Lux
Action time	5-20sec	Electrical Life	>5000cycles

■ Light Distribution Curve (Clear Lens)



20W LED Wall Pack Light

■ ORDERING INFORMATION:

EXAMPLE: WSD-WP 02W 27-50K-P

WSD	GWP	02W	27	50K	P
Company	Product	Power	Voltage	Color Temp	Control
WISDOM	WP Wall Pack	02W(20W)	27 AC120-277V	30K (3000K) 40K (4000K) 50K (5000K) 57K (5700K) ± 500K	P 120-277V Photocell

■ Product Certifications

