

■ Product Pictures



- Lumileds LED, high luminous efficiency and long working life.
- High efficiency LED Driver, the wide range input voltage AC120-277V.
- Die cast aluminium cooling design, high quality and better cooling for LED Tj < 85°C.
- Excellent Optics design, greatly improve the light utilization and evenness, glass material.
- Photocell Control Available (Option)

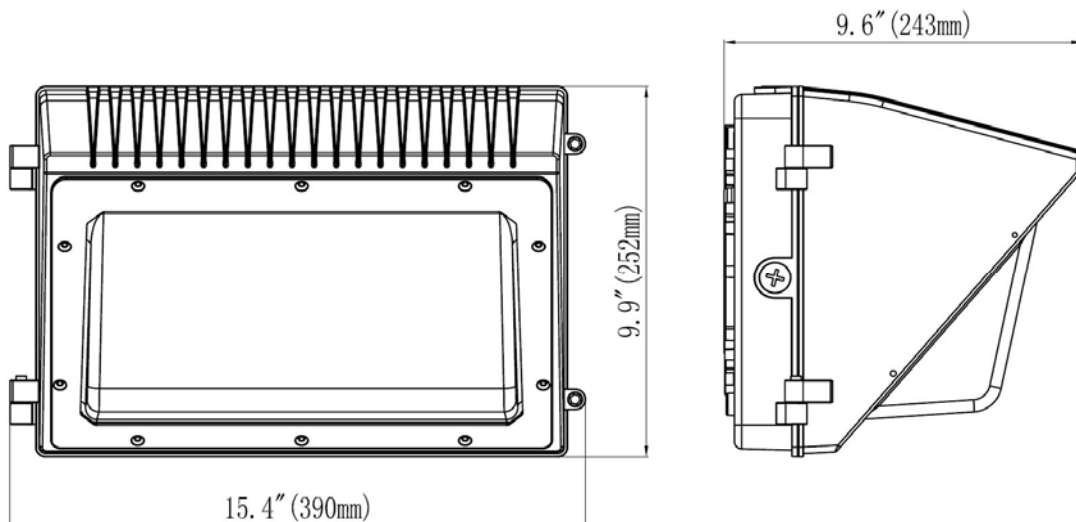


■ Product Applications

LED GLASS WALL PACK Lighting series can be widely used in indoor or outdoor lighting (Wet location), like mechanical or electronic processing workshops, storage warehouses, steel mills, gas stations, toll booth, waiting rooms, the platforms of railway station, indoor stadiums and flower cultivating tents etc.

■ Structure Features

- Shell materials: Aluminum & GLASS .
- Finish: Dark Bronze/White
- Net weight: 10.40 lbs (4.70kg) Unit: inch(mm)
- Packing Size: 17.70*12.40*12.20' (450*315*31mm)



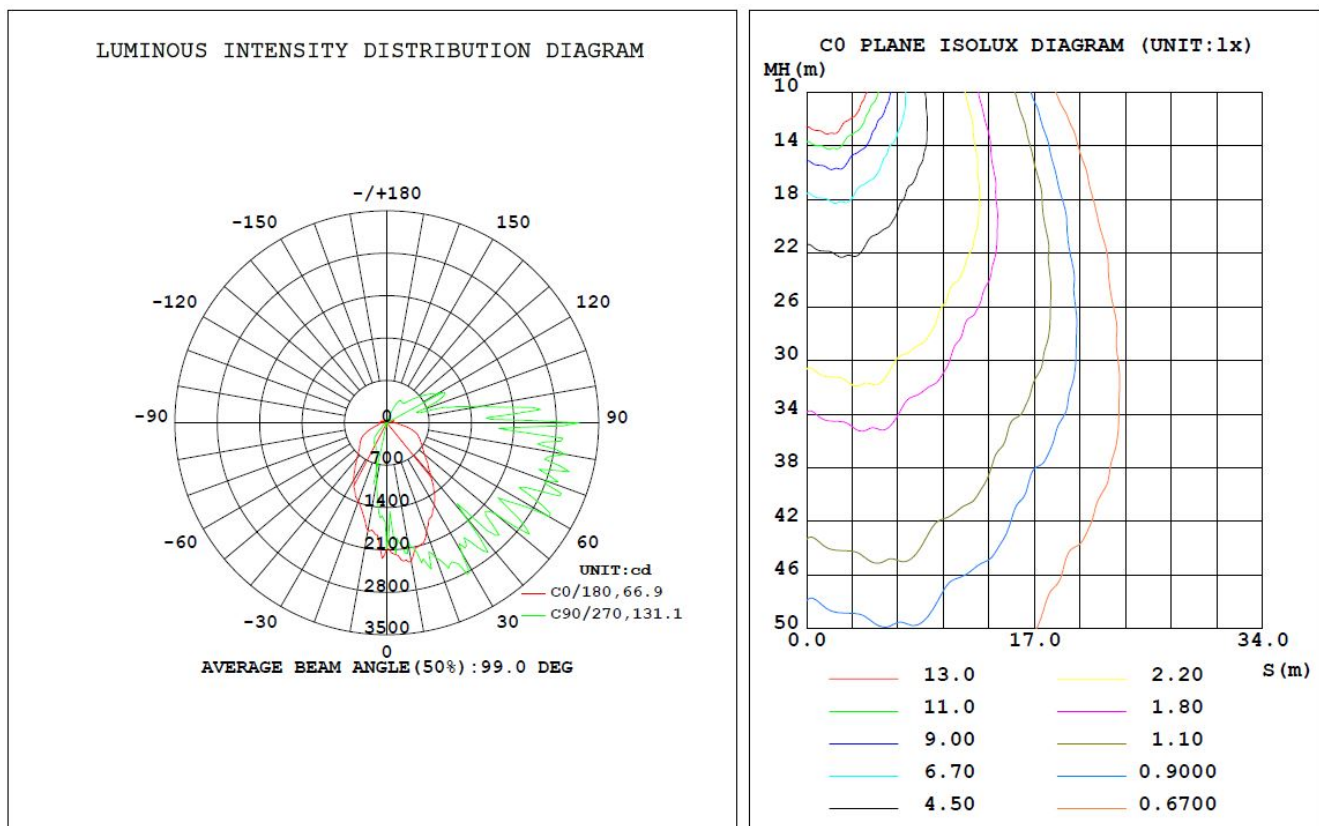
■ Technical Parameters:

Type	WSD-GWP07W27-XXK-Z-P		
Power	70W	Lighting Angle	90*120°
Input Voltage	AC120-277V	LED Brightness Decay	<5%/6000 hrs
PF	>0.95	Working Life	>50000 hrs
Driver Efficiency	>90%	Working Temperature	-30 - +45°C
Luminous Flux	8120 Lm	Storage Temperature	-40 -+80°C
Color Temperature	3000K/4000K/5000K/6500K	Protection Level	Wet Location/IP65
CRI	Ra>80	Cable	Input Connect, No cable

Remark: “Z” may be D or W represented color,

“P” may be “P12”, “P27” or blank represented type of photoelectric Switches.

■ Light Distribution Curve (Clear Lens)



70W LED Glass Wall Pack



Wisdom
wisdom light, wisdom life.

■ ORDERING INFORMATION:

EXAMPLE: WSD-GWP 05W 27-50K-D-P12

WSD	GWP	07W	27	50K	D	P12
Company	Product	Power	Voltage	Color Temp	Finish	Control
WISDOM	GWP Glass Wall Pack	05W (50W)	27	30K (3000K)	D	P12
		07W (70W)	AC120-277V	40K (4000K)	Dark Bronze	120V Photocell
		10W (100W)	AC200-480V	50K (5000K) 57K (5700K) ± 500K	W White	P27 277V Photocell

■ Product Certifications



■ Contact Us: