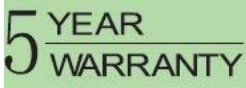


45W LED Full Cutoff Wall Pack

Product Pictures



- Lumileds LED, high luminous efficiency and long working life.
- High efficiency LED Driver, the wide range input voltage AC100-277V and AC200-480V.
- Cast aluminium cooling design better cooling, light quality, LED Tj < 85°C.
- Excellent Optics design, greatly improved the light utilization and evenness.
- Photocell Control Available (Option)

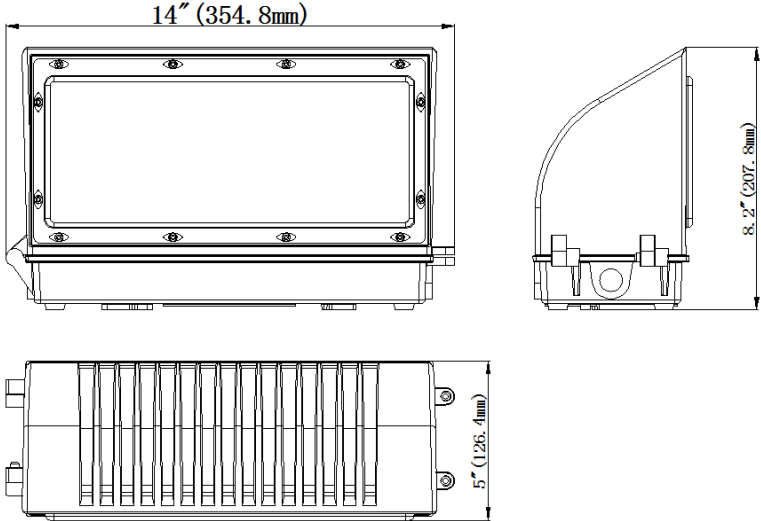


Product Applications

LED FULL CUTOFF WALL PACK Lighting series can be widely used in indoor or outdoor lighting (Wet location), like mechanical or electronic processing workshops, storage warehouses, steel mills, gas stations, toll booth, waiting rooms, the platforms of railway station, indoor stadiums and flower cultivating tents etc.

Structure Features

- Shell materials: Aluminum & PC .
- Finish: Dark Bronze/White
- Net weight: 2.90kgs (6.40 lbs) Unit: inch(mm)



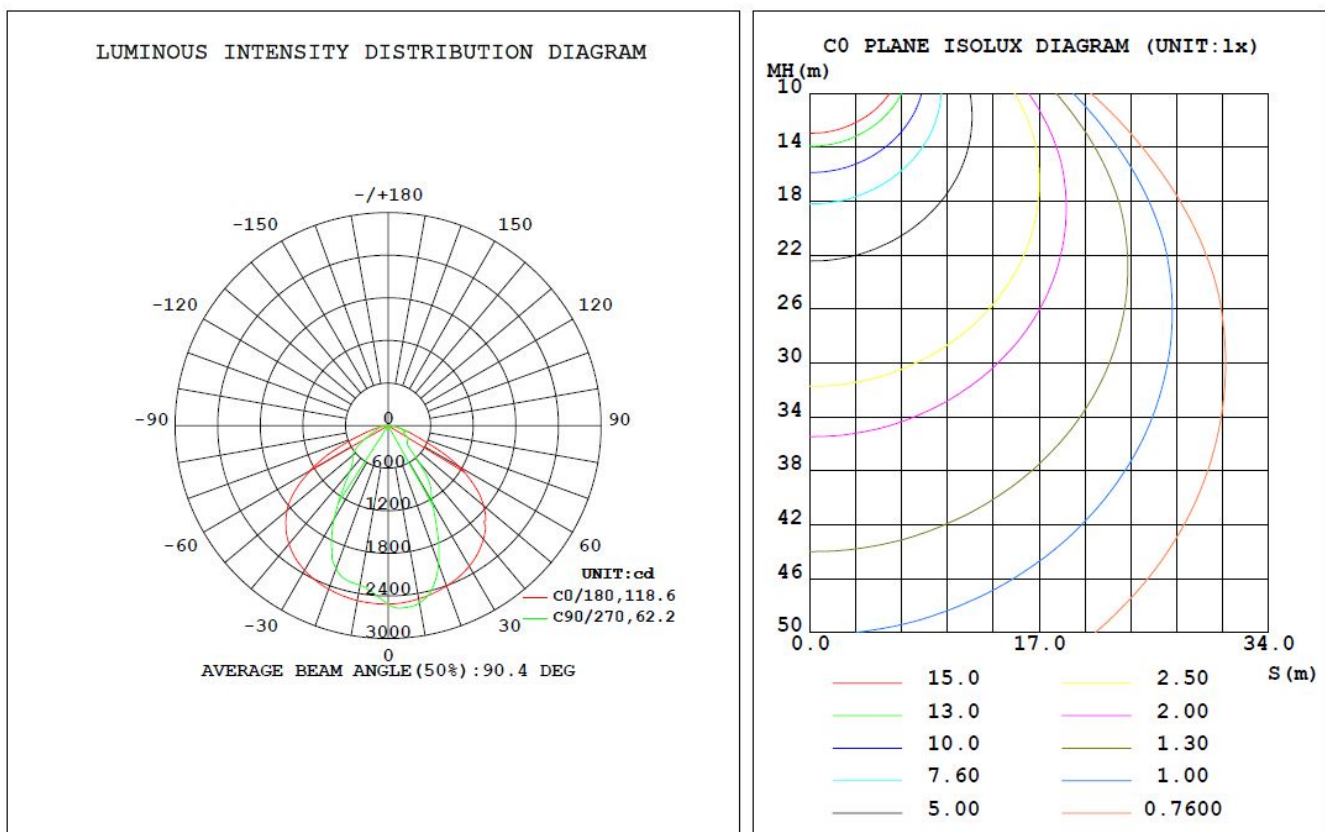
■ Technical Parameters

Type	WSD-FWP45W27-XXK-Z-Y		
Power	45W	Lighting Angle	60*90°
Input Voltage	AC100-277V	LED Brightness Decay	<5%/6000 hrs
PF	>0.95	Working Life	>50000 hrs
Driver Efficiency	>90%	Working Temperature	-30 - +45°C
Luminous Flux	4800 Lm	Storage Temperature	-40 -+80°C
Color Temperature	3000K/4000K/5000K/6500K	Protection Level	Wet Location/IP65
CRI	Ra>80	Cable	Input Connect, No cable

Remark: “Z” may be D or W represented color,

“Y” may be “P12”, “P27” or blank represented type of photoelectric Switches.

■ Light Distribution Curve (Clear Lens)



45W LED Full Cutoff Wall Pack

■ ORDERING INFORMATION:

EXAMPLE: WSD-FWP 45W 27-50K-D-P12

WSD	FWP	45W	27	50K	D	P12
Company	Product	Power	Voltage	Color Temp	Finish	Control
WISDOM	FWP Full Cutoff Wall Pack	45W(45W)	27	30K (3000K)	D	P12
		07W(70W)	AC100-277V	40K (4000K)	Dark Bronze	120V Photocell
			48	50K (5000K)	W	P27
			AC200-480V	65K (6500K) ± 500K	White	277V Photocell

■ Product Certifications

