

# LDS SERIES

OUTDOOR LIGHTING

**WESTGATE**  
THE FUTURE IS HERE...AND IT'S QUITE BRIGHT!

LDS-MCT-D



Customer Name: \_\_\_\_\_

Project Name: \_\_\_\_\_

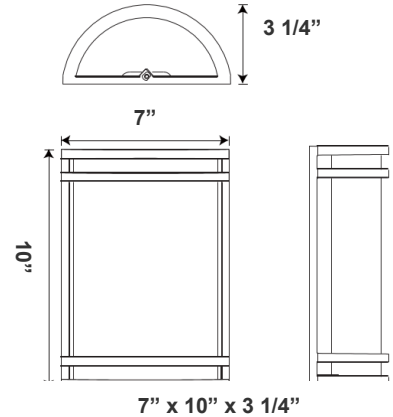
Note: \_\_\_\_\_

Type: \_\_\_\_\_

MULTI-CCT



Selection:



Ideal for Hallways, bedrooms, laundry rooms, bathrooms, alleys,  
Loading docks, doorway, pathway

## Features

- Outdoor decorative sconce
- Multi CCT (Selectable Switch on the LED Board )
- Direct Replacement for Fluorescent
- 7-Year Warranty
- Housing: Steel base with Die-cast Rings
- High-Transmission Frosted Plastic Lens With Excellent Distribution and Uniformity

## Technical Specifications

### Electrical:

- Voltage: 120V AC 50/60Hz
- Output Voltage: 36VDC
- Power Factor: >0.90
- Wattage: 12W
- Efficacy: 100 LPW
- Total Harmonic Distortion:  $\leq 15\%$

### Mechanical:

- Gray Finish
- Outdoor decorative sconce
- Housing: Steel base with Die-cast Rings
- High-Transmission Frosted Plastic Lens With Excellent Distribution and Uniformity
- Maximum Ambient Temperature: 50~113°F
- Rated life: 50,000 Hrs
- Wet Location

### Lighting:

- Dimming: TRIAC Dimming (Using Standard TRIAC LED Dimmers)
- Total Lumens: 1200LM
- Color Temperatures: 3000K/ 4000K/ 5000K
- Multi CCT (Selectable Switch on the LED Board )
- Color Rendering Index: CRI  $\geq 80$
- Beam Angle: 120°

### Applications:

- Hallways, bedrooms, laundry rooms, bathrooms, alleys, Loading docks, doorway, pathway.

### Other Models:

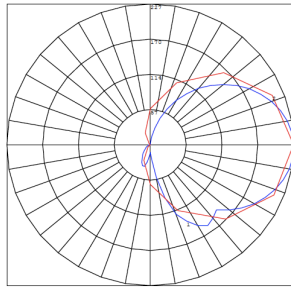
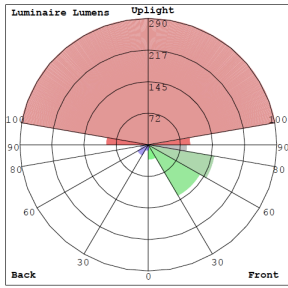
- 12W | 1200LM | LDS-MCT-D-BZ



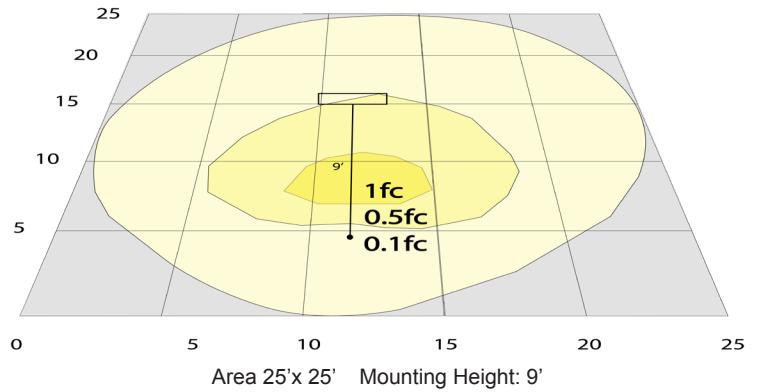
Phone: (877) 805-2252 | Fax: (877) 805-2252  
www.westgatemfg.com | www.westgatecontrols.co



## Photometrics: LDS-MCT-D



BUG Rating: B0-U3-G1



## Other Views:



Side View



Front View



Back View

## Performance Table: LDS-MCT-D

MODEL NO.	Wattage	Voltage	Lumens	Color Temp.	BUG Rating	LPW
LDS-MCT-D	12W	120V	1200LM	3000K/ 4000K/ 5000K	B0-U3-G1	100

## Sample Ordering

Model Color Temp. Dimming

LDS - MCT - D

## Factory-Installed Option:

Blank = No Option For Accessories

OPT-EM-LDS = EMERGENCY BATTERY BACKUP

OPT-PC-B1 = BUTTON

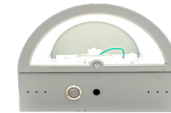
OPT-SEN-LDS-GY = PROGRAMMABLE MICROWAVE BI-LEVEL SENSOR

WEC-8RC= OPTIONAL REMOTE CONTROL

## FACTORY-INSTALLED OPTION:



OPT-EM-LDS  
EMERGENCY BATTERY BACKUP



OPT-SEN-LDS-GY  
PROGRAMMABLE MICROWAVE  
BI-LEVEL SENSOR



WEC-8RC  
OPTIONAL REMOTE CONTROL



OPT-PC-B1  
BUTTON

## Example:

1. LDS-MCT-D

(FOR LDS 12W MCT FIXTURE 120V)

2. LDS-MCT-D

(FOR LDS 12W MCT FIXTURE 120V)

OPT-EM-LDS

(EMERGENCY BATTERY BACKUP)

