

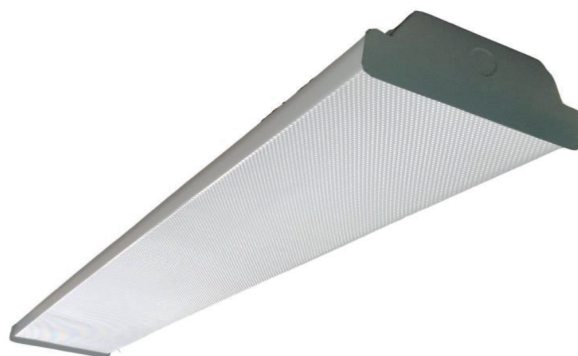
Installation Instructions

Alphalite LED Utility Wrap Luminaire

Installation guide valid for the following models:

LBW - 4 (S2 version)

LBW - 2 (S2 version)



WARNING

RISK OF FIRE OR ELECTRIC SHOCK

The LED Utility Wrap Luminaire must be installed by a qualified electrician in accordance with applicable federal, state, and local laws and codes. Installation requires knowledge of luminaire electrical systems and installer should be familiar with the operation of this product. If not qualified, do not attempt installation; contact a qualified electrician. Manufacturer assumes no responsibility for the improper installation of this luminaire. When installing the fixture, drilling may damage luminaire wiring and electrical parts. Check for wiring and components in enclosure before drilling.

WARNING

To prevent wiring damage or abrasion, do not expose wiring to edges of sheet metal or other sharp objects. When installing this kit, drilling may damage luminaire wiring and electrical parts. Check for wiring and components in enclosure before drilling.

WARNING

RISK OF PERSONAL INJURY

Wear gloves or proper handling protection to prevent cuts or abrasions when handling and maintaining this product. This equipment may have sharp edges. To reduce the risk of death, personal injury or property damage from fire, electric shock, falling parts, cuts/abrasions, and other hazards read all warning and instructions included with and on the fixture box and all fixture labels.

WARNING

Suitable for Damp locations. Suitable for 9/16" or 15/16" Flat Tee Grid in both Insulated Ceilings and Non-Insulated Ceilings. Access above ceiling required. Do not touch LEDs with hands or tools. Mishandling of LED can lead to product failure.

WARNING

RISK OF PERSONAL INJURY, FIRE OR ELECTRIC SHOCK

Turn OFF power before installation.

Contact manufacturer with any questions or concerns regarding installation of this luminaire.

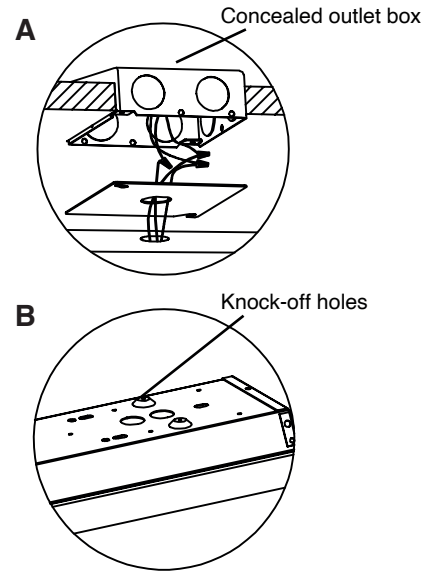
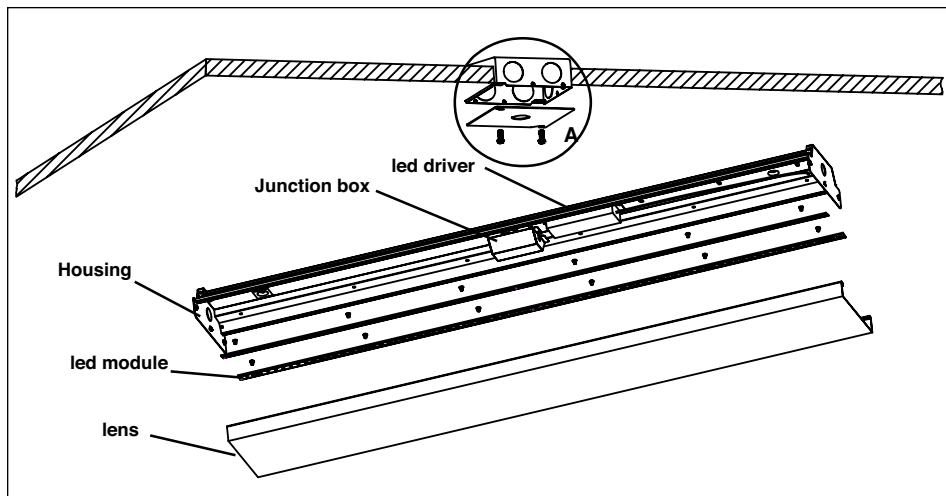
Alphalite

Installation Instructions

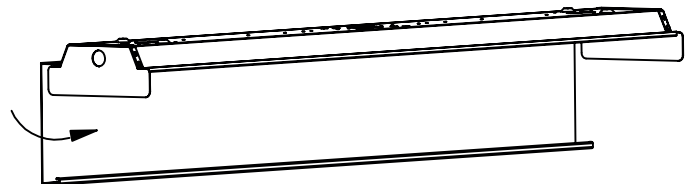
LED Utility Wrap Luminaire

Surface Mounting Installation Steps:

1. Remove lens by pulling from one side of the fixture and hinge on the other side.
2. For surface mounting, secure the housing with screws through the knock-out in back of housing.(Figure B).
3. Make electrical connections according to code.
4. Install channel cover.



5. Install lens on one side of the fixture and rotate to engage the opposite side.



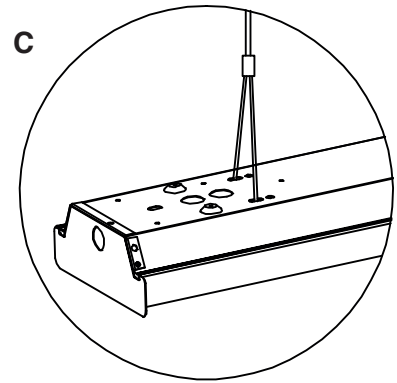
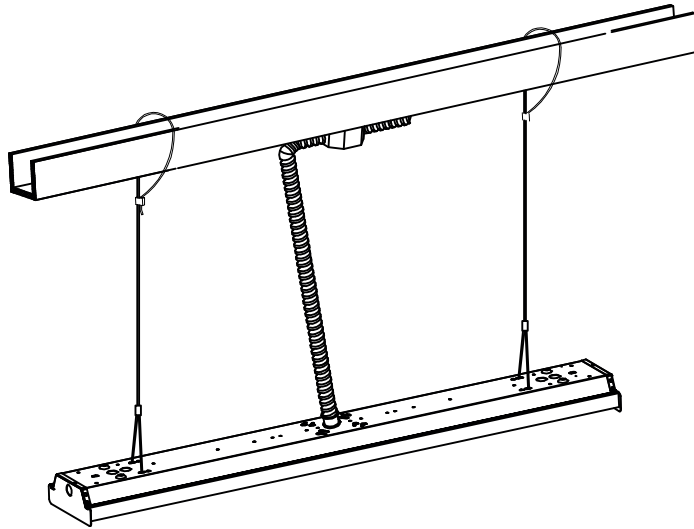
CAUTION

1. Avoid direct eye exposure to the light source while it is on.
2. Account for small parts and destroy packing material, as these may be hazardous to children
3. Risk of burn. Disconnect power and allow fixture to cool before changing bulb or handling fixture.

Alphalite

Aircraft Cable Suspended Installation Steps:

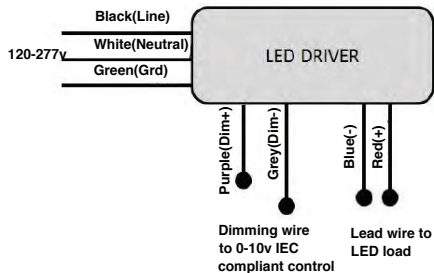
1. Attach customer supplied aircraft cable to fixture. (Figure C.)



CAUTION

1. Avoid direct eye exposure to the light source while it is on.
2. Account for small parts and destroy packing material, as these may be hazardous to children
3. Risk of burn. Disconnect power and allow fixture to cool before changing bulb or handling fixture.

Wiring Diagram:



0-10V Dimmable Wiring

Follow the wiring directions as in fig. 1.

1. Connect the black fixture lead to the (+) LINE supply lead.
2. Connect the white fixture lead to the (-) COMMON supply lead.
3. Connect the GROUND wire from fixture to supply ground. Do NOT connect the GROUND of the dimming fixture to the output.
4. Connect the purple fixture lead to the (V+) DIM lead.
5. Connect the gray fixture lead to the (V-) DIM lead.

ON-OFF Wiring

Follow the wiring directions as in fig. 1.

1. Connect the black fixture lead to the LINE supply lead.
2. Connect the white fixture lead to the COMMON/NEUTRAL supply lead.
3. Connect the GROUND wire from fixture to supply ground.

Alphalite