

KT-WLED44PS-4-8CSA-VDIM

LED WRAP FIXTURE

DESCRIPTION

4ft LED Wrap Fixture | 120-277V Input | Frosted Lens | 0-10V Dimming

APPLICATION

Used for commercial, retail, and residential applications



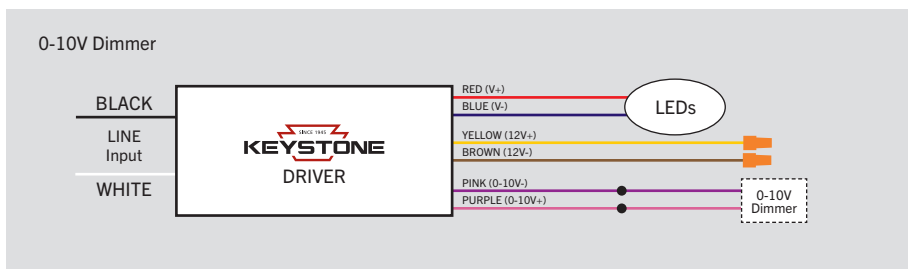
PRODUCT FEATURES

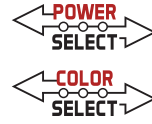
- Features Keystone Color Select technology. Adjust CCT between 3500K, 4000K, or 5000K
- Features Keystone Power Select technology. Adjust power between 44/28/18W, changing lumen output to set high end trim.
- Powered by Keystone 0 –10V dimming LED drivers with 12V Aux
- Ambient operating temperature: –20°C/– 4°F to 45°C/113°F
- Compatible with Keystone SmartSafe emergency backups
- Luminaire is suitable for installation within a clothes closet storage space
- LED lifetime: L70 >100,000 hours @ 25°C fixture ambient
- Low optical flicker
- THD: < 20%
- Power factor > 0.95

PERFORMANCE SPECIFICATIONS

Catalog Number	Input Voltage	Wattage	Color Temperature	Lumen Output	Efficacy	CRI	Power Factor	Lifetime
KT-WLED44PS-4-8CSA-VDIM	120–277V	44W	3500K	5,852	133 lm/W	> 80	> 0.90	50,000hrs
			4000K	5,896	134 lm/W			
			5000K	5,940	135 lm/W			
		28W	3500K	3,948	141 lm/W			
			4000K	3,976	142 lm/W			
			5000K	4,004	143 lm/W			
		18W	3500K	2,664	148 lm/W			
			4000K	2,682	149 lm/W			
			5000K	2,700	150 lm/W			

WIRING DIAGRAMS



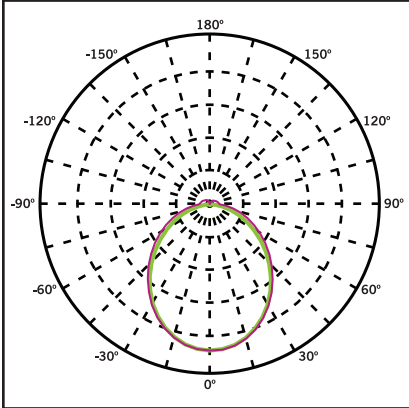


KT-WLED44PS-4-8CSA-VDIM

LED WRAP FIXTURE

PHOTOMETRIC SPECIFICATIONS

POLAR CANDELA DISTRIBUTION



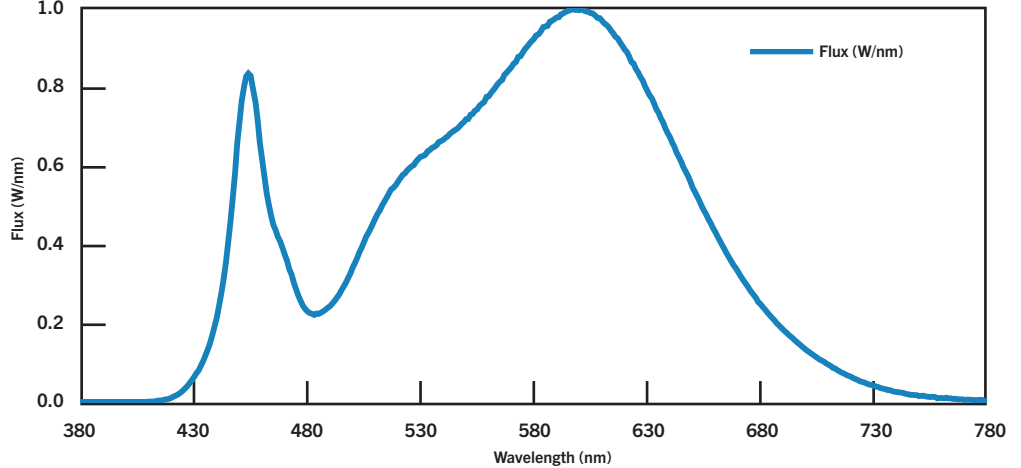
Maximum Candela = 2155.8
Located at Horizontal Angle = 0,
Vertical Angle 0

- 1. Violet Vertical Plane through Horizontal Angles (90-270)
- 2. Green Vertical Plane through Horizontal Angles (0-180)

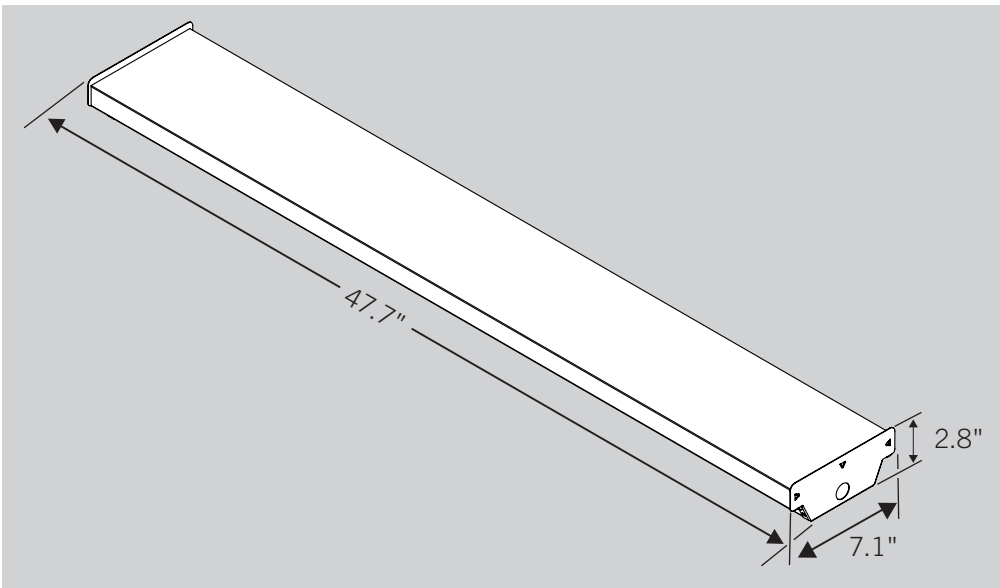
Beam Angle: 220°

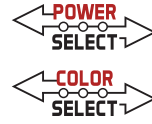
Visible Light Area: 325°

RELATIVE SPECTRAL POWER DISTRIBUTION



PHYSICAL SPECIFICATIONS





KT-WLED44PS-4-8CSA-VDIM

LED WRAP FIXTURE

ACCESSORIES (SOLD SEPARATELY)

ORDER CODE	DESCRIPTION
KTS-MW3-UV-KO-K2	Microwave Sensor Kit, Includes 120-277V input to 12V DC convertor, 12V input sensor head, Nomex Sleeve, Extension Neck
KT-EMRG-LED-5C-500	LED Emergency Back-Up, 5W Constant Wattage Design, Approx 500 lumens
KT-EMRG-LED-12C-1200	LED Emergency Back-Up, 12W Constant Wattage Design, Approx 1200 lumens

ORDERING INFORMATION

Order Code	Pack Quantity	UPC	Easy Code
KT-WLED44PS-4-8CSA-VDIM	4	843654137322	BEW-19

CATALOG NUMBER BREAKDOWN

KT-WLED44PS-4-8CSA-VDIM

1 2 3 4 5 6 7 8 9 10

- 1 Keystone Technologies
- 2 LED Wrap Fixture
- 3 Wattage
- 4 Power Select
- 5 4' Nominal Length
- 6 80 CRI
- 7 Color Select
- 8 Color Select Designation
- 9 0-10V Dimming
- 10 Sensor Options

8 Color Select Designation

A	3500K, 4000K, 5000K
---	---------------------

10 Sensor Options

	No option
/MW	Microwave Occupancy Sensor Installed