

KT-RKIT32PS-4S-8CSA-VDIM

4' LED RETROFIT STRIP KIT

DESCRIPTION

4' LED Retrofit Strip Kit | 120-277V | 0-10V Dimming



5 YEAR
WARRANTY



PRODUCT FEATURES

- Features Keystone Color Select technology. Adjust CCT between 3500K, 4000K, or 5000K
- Features Keystone Power Select technology. Adjust power between 32W, 23W, 18W
- Used to upgrade existing 4" - 5.25" wide strip fixtures without modifying the existing fixture mounting"
- Powered by Keystone 0 –10V dimming LED drivers
- Ambient operating temperature: -20°C/-4°F to 50°C/122°F
- Compatible with Keystone SmartSafe emergency backups
- Low optical flicker
- THD: < 20%
- Power factor > 0.95
- Compatible with Keystone occupancy sensors

POWER AND COLOR TEMPERATURE SELECTABILITY

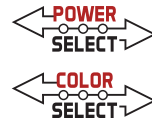
- Keystone Color Select Technology: Adjustable CCT (3500K/4000K/5000K)
- Keystone Power Select Technology: Adjustable Wattage (32W/23W/18W)

PRODUCT SPECIFICATIONS

Catalog Number	Input Voltage	Wattage	CCT	Lumen Output	Efficacy	CRI	Power Factor	Lifetime
KT-RKIT32PS-4S-8CSA-VDIM	120–277V	32W	3500K	4,160	130 lm/W	> 80	> 0.90	50,000 hrs
			4000K	4,192	131 lm/W			
			5000K	4,224	132 lm/W			
		23W	3500K	3,128	136 lm/W			
			4000K	3,151	137 lm/W			
			5000K	3,174	138 lm/W			
		18W	3500K	2,502	139 lm/W			
			4000K	2,520	140 lm/W			
			5000K	2,538	141 lm/W			

ONE CATALOG NUMBER WITH 9 DIFFERENT OPTIONS

* Preset to highest lumen output (32W / 5000K)
* Color Uniformity: CCT (Correlated Color Temperature) range as per guidelines outlined in ANSI C78.377-2017.

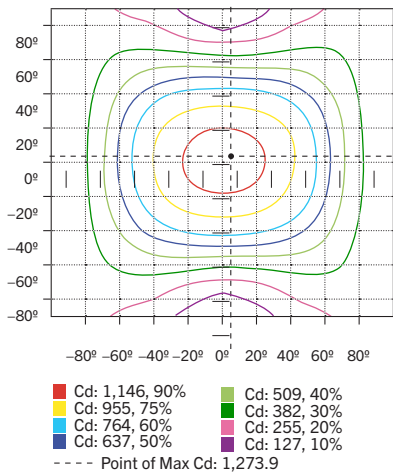


KT-RKIT32PS-4S-8CSA-VDIM

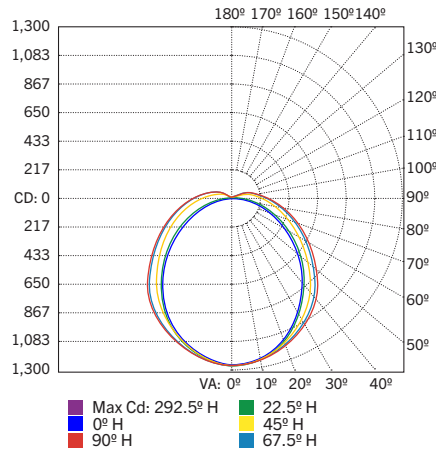
4' LED RETROFIT STRIP KIT

PHOTOMETRIC SPECIFICATIONS

ISOCANDELA PLOT



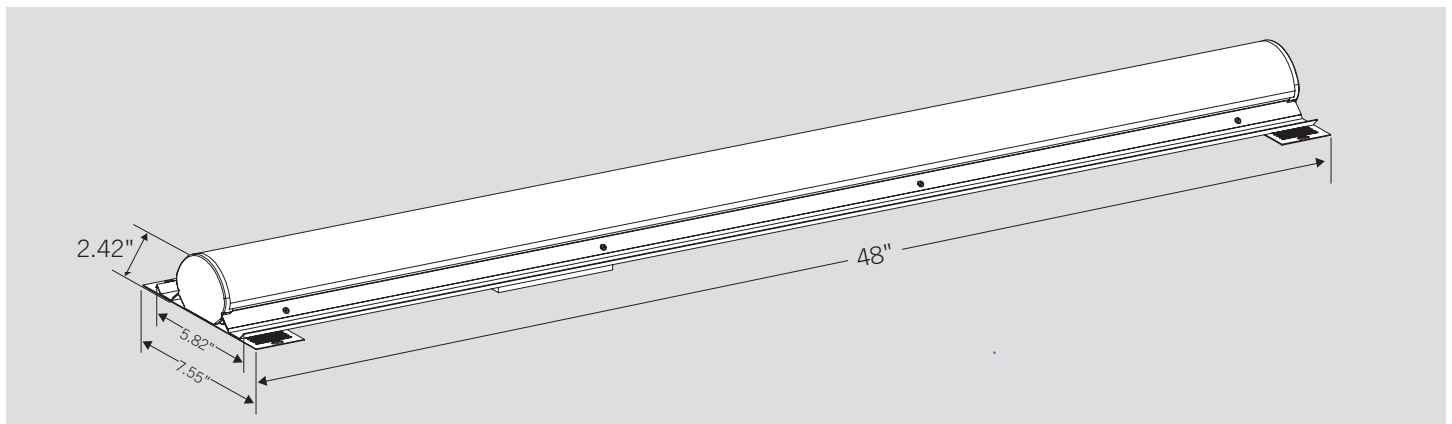
POLAR CANDELA DISTRIBUTION



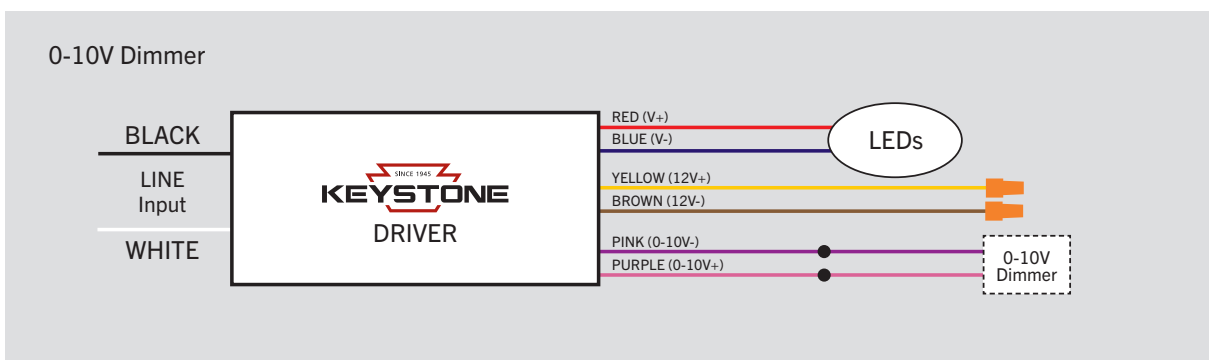
ZONAL LUMEN SUMMARY

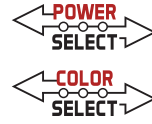
Zone	Lumens	% Luminaire
0-60	2,796.1	66.80%
60-90	1,073.9	25.70%
0-90	3,869.9	92.50%
90-180	313.2	7.50%
0-180	4,183.1	100%

PHYSICAL SPECIFICATIONS



WIRING DIAGRAMS





KT-RKIT32PS-4S-8CSA-VDIM

4' LED RETROFIT STRIP KIT

ADDITIONAL ACCESSORIES (SOLD SEPARATELY)

Catalog Number	Description
KT-EMRG-LED-5C-500	LED Emergency Back-Up, 5W Constant Wattage Design, Approx 500 lumens.
KT-EMRG-LED-12C-1200	LED Emergency Back-Up, 12W Constant Wattage Design, Approx 1200 lumens.

ORDERING INFORMATION

Catalog Number	Pack Quantity	Easy Code	UPC
KT-RKIT32PS-4S-8CSA-VDIM	TBD	JQM-63	843654134864

CATALOG NUMBER BREAKDOWN

KT-RKIT32PS-4S-8CSA-VDIM

1 2 3 4 5 6 7 8 9 10

- 1 Keystone Technologies
- 2 Retrofit Kit
- 3 Wattage
- 4 Power Select
- 5 4' Nominal Length
- 6 Strip Kit
- 7 80 CRI
- 8 Color Select
- 9 Color Select Designation
- 10 0–10V Dimming

9 Color Select Designation

A	3500K, 4000K, 5000K
---	---------------------