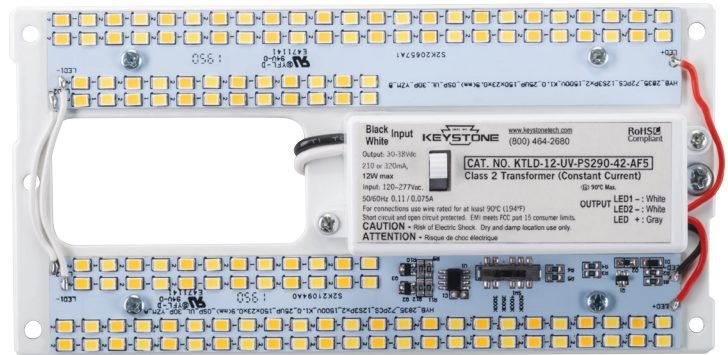
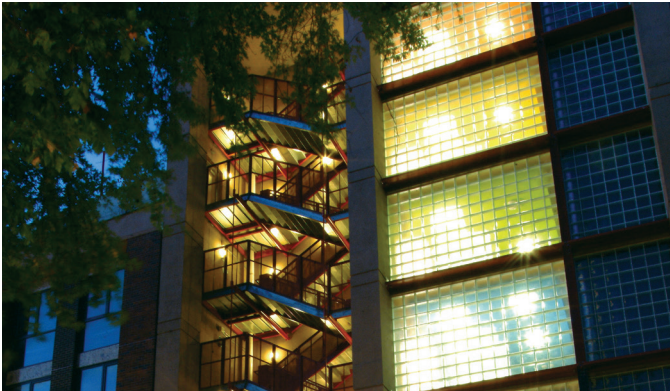
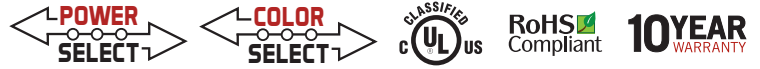




KT-RKIT12PS-6RP-8CSC

RECTANGULAR POWER/CCT SELECTABLE LED LIGHT ENGINE



DESCRIPTION

6" Rectangular Power/CCT-Selectable LED Light Engine

PRODUCT FEATURES

- Power and CCT are selectable via DIP switches
- Operating temperature: -20°C/-4°F to 45°C/113°F
- L70 > 50,000 hours
- UL classified
- Meets FCC Part 15, Class B (consumer) limit
- Beam angle: 120°
- THD: < 20%
- Pre-assembled; mounting accessories included

PERFORMANCE SPECIFICATIONS

Catalog Number	Input Voltage	Selectable Wattage	Selectable CCT	CRI	Total Lumens	System Efficacy
KT-RKIT12PS-6RP-8CSC	120-277V	8W	3000K	> 80	1,050 lm	131 lm/W
			3500K	> 80	1,075 lm	134 lm/W
			4000K	> 80	1,110 lm	139 lm/W
			5000K	> 80	1,150 lm	144 lm/W
		12W	3000K	> 80	1,550 lm	129 lm/W
			3500K	> 80	1,575 lm	131 lm/W
			4000K	> 80	1,600 lm	133 lm/W
			5000K	> 80	1,650 lm	138 lm/W

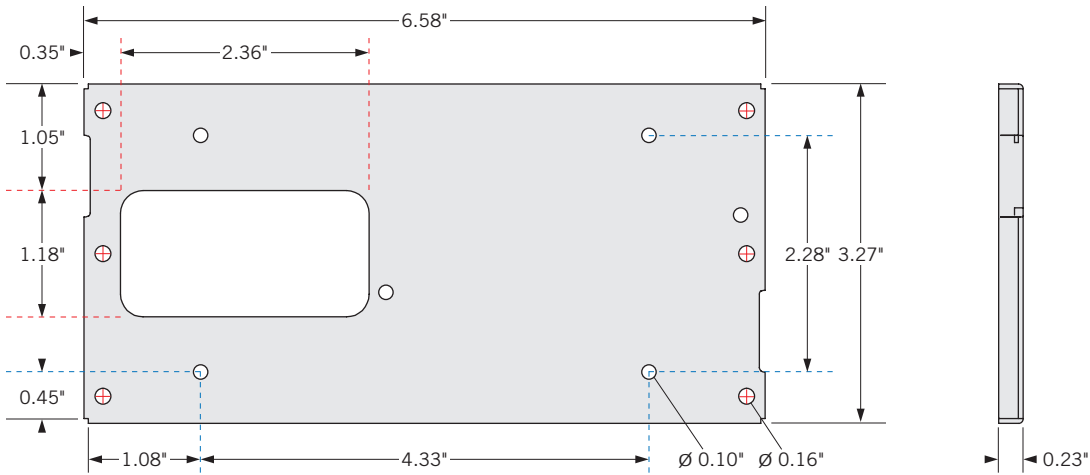


KT-RKIT12PS-6RP-8CSC

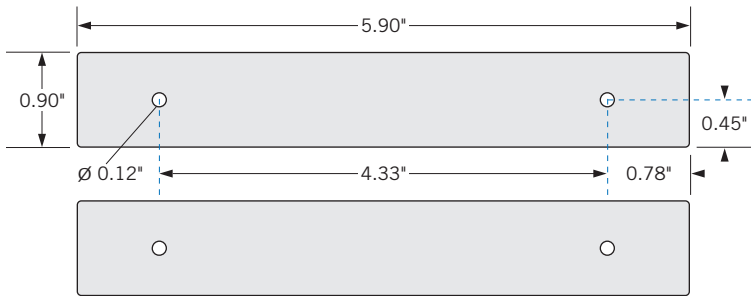
RECTANGULAR POWER/CCT SELECTABLE LED LIGHT ENGINE

PHYSICAL SPECIFICATIONS

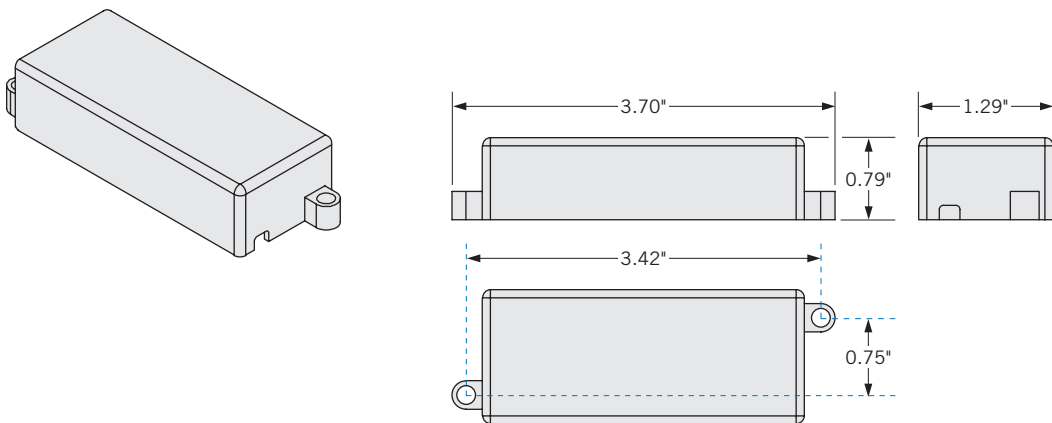
METAL PAN



LED MODULE



LED DRIVER



Dimensions

Length	3.70"
Width	1.29"
Height	0.79"
Mounting (Length)	3.42"
Mounting (Width)	0.75"



KT-RKIT12PS-6RP-8CSC

RECTANGULAR POWER/CCT SELECTABLE LED LIGHT ENGINE

ORDERING INFORMATION

ORDER CODE	PACK QTY.	ITEM STATUS
KT-RKIT12PS-6RP-8CSC	20	Quick Ship

CATALOG NUMBER BREAKDOWN

KT-RKIT12PS-6RP-8CSC

1 2 3 4 5 6 7 8 9

- 1 Keystone Technologies
- 2 Retrofit Kit
- 3 Wattage
- 4 Power Select
- 5 Size (6")
- 6 Rectangular Pan
- 7 80 CRI
- 8 Color Select
- 9 Switchable CCT Options (3000K, 3500K, 4000K, and 5000K)