

# 8" CIRCULAR LED KITS

## 2750 LUMEN OPTION

# **FUTURE FIT**

## LED KITS

### DESCRIPTION

Pre-assembled UL 1598C Classified LED retrofit kit. Includes the following components:

- (1) LED Driver • (1) LED Module • (1) Metal Pan • Mounting Accessories (Threaded Rod, Mounting Hardware, and Wiring Hardware)



RoHS  
Compliant

10 YEAR  
WARRANTY

### APPLICATION

Upgrade circular surface-mount fluorescent-style luminaires to an LED solution. Suitable for after-market or OEM installation. (OEM must have UL LED Luminaire General Coverage file.)

### TYPICAL INSTALLATION APPLICATION



### SYSTEM FEATURES

#### Module Features

- For Use in Class 2 Lighting Systems
- Highly Reflective White Soldermask
- Low Profile WAGO Push Connectors
- UL Recognized Components
- Single-Sided CEM3 Substrate
- 3-Step MacAdam Color Binning
- LM80 Tested LEDs by Samsung
- Beam Angle: 120°
- Reported Life Expectancy: L70 > 54,000 hours at Tc <85°C
- Calculated Life Expectancy: L70 = 160,000 hours at Tc <85°C
- Maximum Board Temperature at Tc Point: 85°C

#### Driver Features

- 0-10V Dimming
- High Power Factor
- UL 8750 Recognized Component LED Power Unit
- Meets FCC Part 15 Class B (Consumer) Limit for EMI
- Over Current, Short Circuit, and Open Circuit Protection
- Class 2 Output
- Type 1 Outdoor, Suitable for Dry and Damp Locations
- Up to 194°F/90°C Maximum Case Temperature
- THD: <20%

# 8" CIRCULAR LED KITS

## 2750 LUMEN OPTION

### 8", 2750 LUMEN CIRCULAR

Dimming Type: 0-10V

**KIT CONTENTS:**

Driver: KTLD-25-UV-700-VDIM-AQ7

Module: (1) KTLM-960-C2-8xx-80B

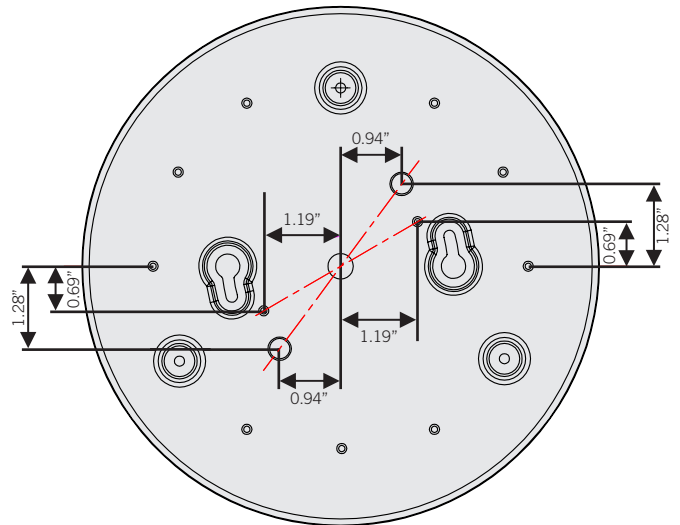
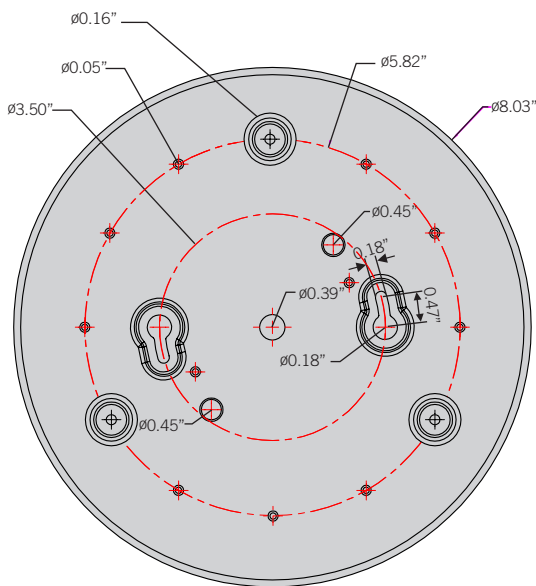
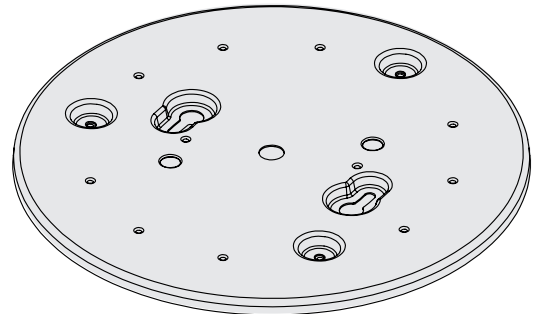
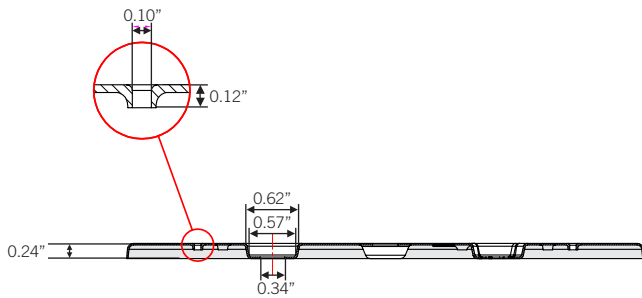
Metal Pan: Yes

Mounting Hardware and Accessories

Color Temp	Input Voltage	LED Retrofit Kit Catalog Number	No. of Modules	Total System Drive Current	Drive Current per Module	Total System Lumens	Total Module Power	Module Efficacy	Driver Efficiency	Total System Power	Total System Efficacy
2700K	120-277V	KT-RKIT-CP-8-2750-827-VDIM /G2	1	700mA	700mA	2590	20W	130 lm/W	80%	25W	104 lm/W
3000K	120-277V	KT-RKIT-CP-8-2750-830-VDIM /G2	1	700mA	700mA	2640	20W	132 lm/W	80%	25W	106 lm/W
3500K	120-277V	KT-RKIT-CP-8-2750-835-VDIM /G2	1	700mA	700mA	2690	20W	135 lm/W	80%	25W	108 lm/W
4000K	120-277V	KT-RKIT-CP-8-2750-840-VDIM /G2	1	700mA	700mA	2750	20W	138 lm/W	80%	25W	110 lm/W
5000K	120-277V	KT-RKIT-CP-8-2750-850-VDIM /G2	1	700mA	700mA	2845	20W	142 lm/W	80%	25W	114 lm/W

## PHYSICAL SPECIFICATIONS

### METAL PAN

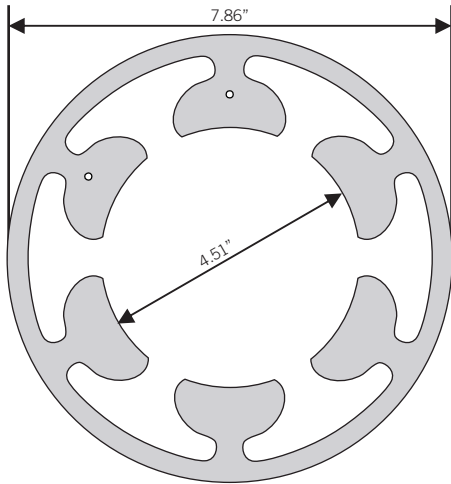




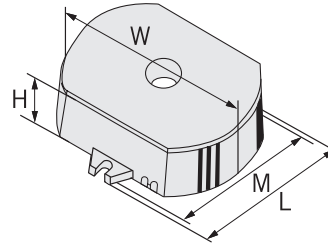
# 8" CIRCULAR LED KITS

## 2750 LUMEN OPTION

### C2 LED MODULE FOR 2750 LUMEN KITS



### LED DRIVER



LENGTH	6.46"
WIDTH	1.32"
HEIGHT	1.00"
MOUNTING	6.00"

### ORDERING INFORMATION

ORDER CODE	PACKAGING STYLE	PACK QTY.	ITEM STATUS
KT-RKIT-CP-8-2750-8xx-VDIM-BP	Individual Pack	20	Quick Ship
KT-RKIT-CP-8-2750-8xx-VDIM-IP	Individual Pack	20	Quick Ship

### CATALOG NUMBER BREAKDOWN

<b>KT-RKIT-CP-8-2750-840-VDIM-IP</b>								
Keystone Technologies	Retrofit Kit	Circular Pan	8" Diameter	Lumen Output	800 Series	Color Temp.	Type of Dimming	Packaging Style