



# KT-MSLED19-2-8XX-VDIM-P

## LED MICROSTRIP FIXTURE

### DESCRIPTION

2' 19W LED Microstrip Fixture | 120–277V Input | Frosted Lens | 0–10V Dimming | Premium Series

### APPLICATION

Used for commercial, retail, and residential strip applications



### PRODUCT FEATURES

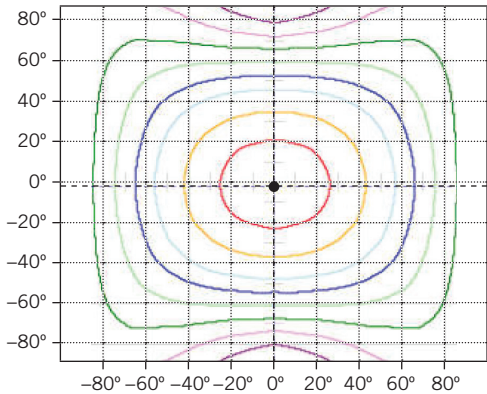
- Powered by Keystone 0–10V dimming LED drivers
- Smooth diffused lens for an even appearance
- 0–10V dimming, 10% minimum
- Compatible with Keystone 480–277V step down transformers
- Compatible with Keystone occupancy sensors
- Ambient operating temperature: –20°C/–4°F to 50°C/122°F
- UL Listed 1598: Suitable for dry and damp locations
- THD: <20%
- Power factor >0.95
- L70 >50,000 hours
- DLC Premium Listed

### PRODUCT SPECIFICATIONS

Catalog Number	Color Temperature	Nominal Length	Input Voltage	Wattage	CRI	Lumen Output	Efficacy
KT-MSLED19-2-835-VDIM-P	3500K	2 ft.	120–277V	19W	>82.0	2,470	130 lm/W
KT-MSLED19-2-840-VDIM-P	4000K	2 ft.	120–277V	19W	>82.0	2,489	131 lm/W
KT-MSLED19-2-850-VDIM-P	5000K	2 ft.	120–277V	19W	>82.0	2,508	132 lm/W

### PHOTOMETRIC SPECIFICATIONS

#### ISOCANDELA PLOT



- Cd: 628, 90%
  - Cd: 523, 75%
  - Cd: 419, 60%
  - Cd: 349, 50%
  - Cd: 279, 40%
  - Cd: 209, 30%
  - Cd: 140, 20%
  - Cd: 70, 10%
- Point of Max Cd: 698.5

#### ZONAL LUMEN SUMMARY

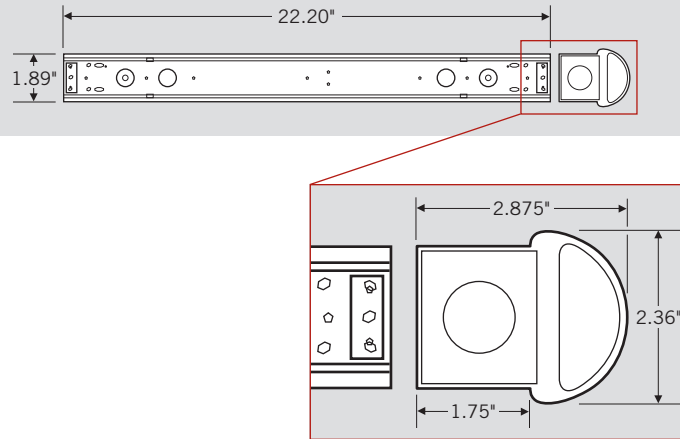
Zone	Lumens	% Luminaire
0–30	539.7	22.1%
0–40	884.5	36.2%
0–60	1,588.7	65%
60–90	652.5	26.7%
70–100	459.8	18.8%
90–120	175.4	7.2%
0–90	2,241.2	91.7%
90–180	203.4	8.3%
0–180	2,444.6	100%



# KT-MSLED19-2-8XX-VDIM-P

## LED MICROSTRIP FIXTURE

### PHYSICAL SPECIFICATIONS



### ORDERING INFORMATION

Order Code	Packaging Style	Pack Quantity	Item Status
KT-MSLED19-2-835-VDIM-P	Carton Pack	1	Active
KT-MSLED19-2-840-VDIM-P	Carton Pack	1	Active
KT-MSLED19-2-850-VDIM-P	Carton Pack	1	Active

### ACCESSORIES (SOLD SEPARATELY)

Accessory	Catalog Number	Description
V-Hooks for Suspended Mounting	KT-MSLED-VH-KIT	Two (2) V-Hooks and chains for chain-suspended mounting

### CATALOG NUMBER BREAKDOWN

# KT-MSLED19-2-8XX-VDIM-P

1 2 3 4 5 6 7 8

- 1 Keystone Technologies
- 2 LED Microstrip Fixture
- 3 Wattage
- 4 2' Nominal Length
- 5 800 Series
- 6 Color Temperature
- 7 0-10V Dimming
- 8 Premium Series