



KT-LED94P-V-8CSI-S

4-PIN LED LAMP



DESCRIPTION

9.5W 4-Pin LED Lamp | Color Select 2700/4000/5000K | ≥ 82 CRI

LAMP TYPE: Compact
BULB TYPE: 4-Pin LED
BASE TYPE: G24q
WATTAGE: 9.5W
SELECTABLE COLOR TEMPERATURE: 2700/4000/5000K
COLOR RENDERING INDEX (CRI): ≥ 82
WARRANTY: 5 Years



PRODUCT FEATURES

- Replacement for conventional CFL 26W, 32W, or 42W G24q lamps
- Keystone Smart Drive technology: compatible with most legacy CFL ballasts
- Instant startup
- Frosted lens eliminates pixelation
- UL listed
- Save 50% on energy consumption when compared to a typical CFL lamp
- Environmentally friendly: no mercury used
- Operating temperature: $-20^{\circ}\text{C}/-4^{\circ}\text{F}$ to $45^{\circ}\text{C}/113^{\circ}\text{F}$
- Extend the useful life up to four times
- Install quickly with our plug and play design
- Not for use in enclosed fixtures

OPERATING SPECIFICATIONS

ELECTRICAL CHARACTERISTICS

Input Voltage	Lamp Wattage	Power Factor	System Wattage
Ballast Dependent	9.5W	>0.9	11W

PHOTOMETRIC CHARACTERISTICS

Color Temperature (CCT)	2700K*	4000K	5000K
Luminous Flux	1000	1120	1150
Color Rendering Index (CRI)	≥ 82	≥ 82	≥ 82
Bare Lamp Efficacy	105	118	121

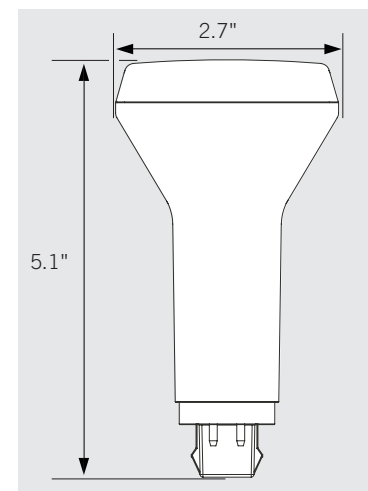
*Preset to 2700K

RATED LIFE

L70 (Hours)	50,000
-------------	--------

PHYSICAL CHARACTERISTICS

LAMP DIMENSIONS





KT-LED94P-V-8CSI-S

4-PIN LED LAMP

ORDERING INFORMATION

ORDER CODE	PACK QTY.	UPC	EASY CODE
KT-LED94P-V-8CSI-S	50	843654137742	AQU-27

CATALOG NUMBER BREAKDOWN

KT-LED94P-V-8CSI-S

- 1
- 2
- 3
- 4
- 5
- 6
- 7
- 8
- 9

- 1 Keystone Technologies
- 2 LED Lamp
- 3 Wattage
- 4 4-Pin Lamp Type
- 5 Vertical Orientation
- 6 80 CRI
- 7 Color Select
- 8 Color Select Designation
- 9 Smart Drive Series

- 8 Color Select Designation
- I 2700/4000/5000K