



KT-LED7T8-24GC-835-D-VDIM

T8 LED LAMP

DESCRIPTION

7W T8 LED | 3500 K | >83 CRI |

High-Efficiency | Single-Ended Wiring



| |
|---|
| LAMP TYPE: Linear |
| BULB TYPE: T8 LED |
| BASE TYPE: G13 (Medium Bi-Pin) |
| WATTAGE: 7W |
| COLOR TEMPERATURE: 3500K |
| COLOR RENDERING INDEX (CRI): >83 |
| WARRANTY: 5 Years |



PRODUCT FEATURES

- Replacement for conventional F17T8 fluorescent lamp
- Single-ended wiring
- Instant startup
- Frosted lens eliminates pixelation
- Improved lamp durability with shatterproof coated glass
- Integral driver (isolated) eliminates the need for external driver or ballast
- Approximately 40% more energy efficient than standard F17T8 lamps
- ETL Sanitation Listed NSF/ANSI Standard 2— Food equipment
- 0–10V dimming to below 10%
- Environmentally friendly: No mercury used
- Operating temperature: –20°C/–4°F to 45°C/113°F
- 50,000+ hour lifetime
- UL Classified
- DLC Listing; Meets DLC 5.1 requirements

PERFORMANCE SPECIFICATIONS

| Catalog Number | Input Voltage | Input Current | Wattage | Color Temperature | Lumen Output | Efficacy | CRI | Power Factor |
|---------------------------|---------------|----------------------------|---------|-------------------|--------------|----------|-----|--------------|
| KT-LED7T8-24GC-835-D-VDIM | 120–277V | 0.12A @ 120V; 0.05A @ 277V | 7W | 3500K | 950 | 136 lm/W | >83 | >0.9 |

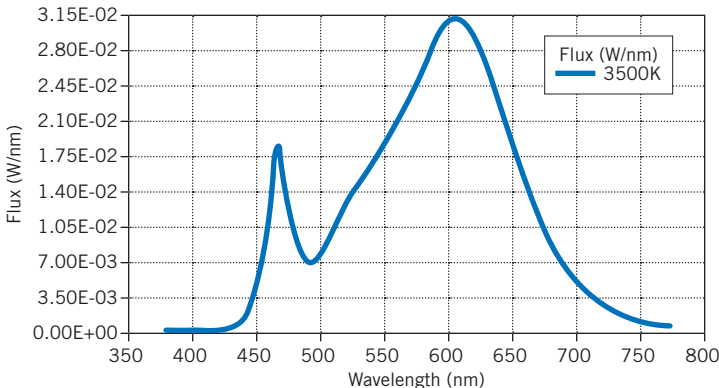
OPERATING SPECIFICATIONS

PHOTOMETRIC CHARACTERISTICS

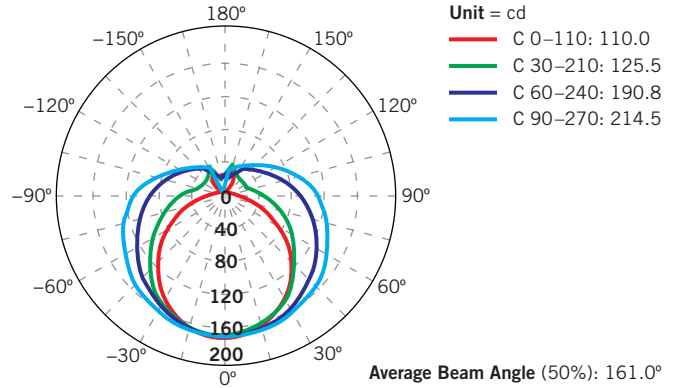
| | | | | | | | | | |
|-------------------|--------|---------------------------|------|---------------|-----|---------------|--------------|-------------------------|--------------|
| Beam Angle | 161.0° | Visible Light Area | 325° | Length | 24" | Wiring | Single-ended | Rated Life (L70) | 50,000 hours |
|-------------------|--------|---------------------------|------|---------------|-----|---------------|--------------|-------------------------|--------------|

MECHANICAL CHARACTERISTICS

SPECTRAL DISTRIBUTION



POLAR CANDELA DISTRIBUTION



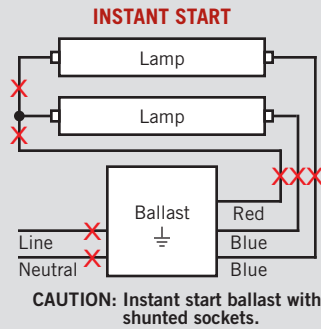
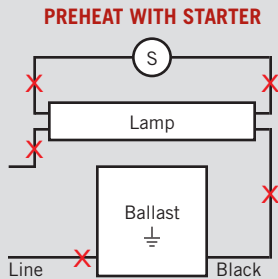
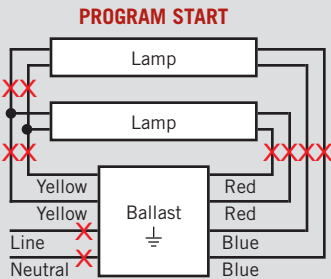
KT-LED7T8-24GC-835-D-VDIM
T8 LED LAMP

WIRING DIAGRAMS

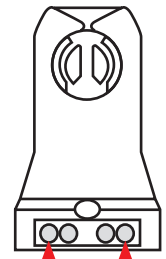
Cut all existing connections to ballast as shown below and remove ballast.

Note: Both single-ended wiring without dimming and single-ended wiring with dimming require non-shunted lampholders.

Typical Ballast Configurations



TYPICAL NON-SHUNTED LAMPHOLDER



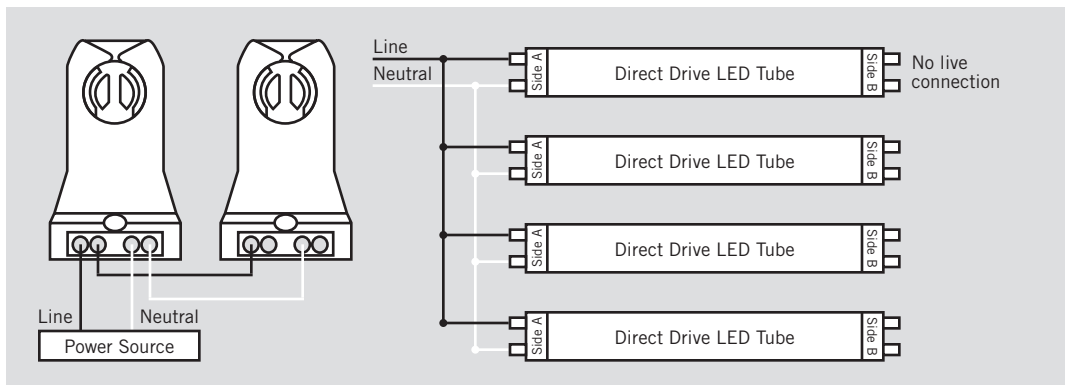
Connect wires directly to these terminals

CAUTION: USE ONLY NON-SHUNTED LAMPHOLDERS.

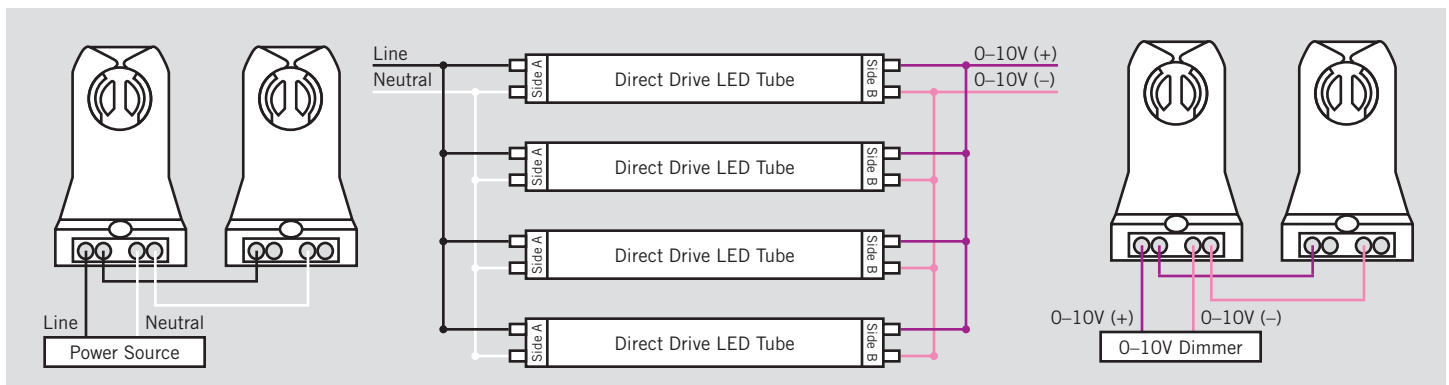
Do not install product in a fixture with shunted lampholders (found in all fixtures using instant start ballasts). If the current lampholders are shunted, remove them and replace them with non-shunted lampholders. Make new connections directly to terminals as indicated in wiring diagrams.

Keystone can provide any style replacement lampholders. Call us at 800-464-2680.

Single-ended wiring without dimming: Re-wire fixture as shown below.



Single-ended wiring with dimming: Re-wire fixture as shown below.



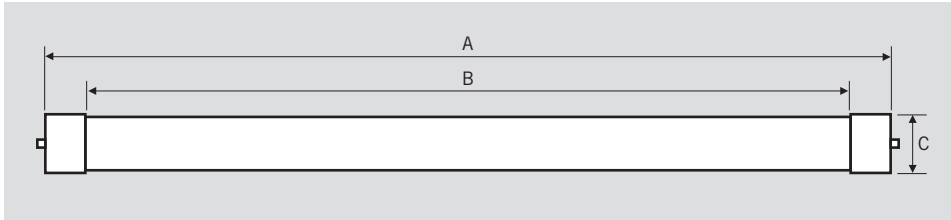
Note: There should not be any exposed wires at the end of installation.



KT-LED7T8-24GC-835-D-VDIM

T8 LED LAMP

PHYSICAL CHARACTERISTICS



LAMP DIMENSIONS

| | |
|------------------------|--------|
| A (Body Length) | 23.19" |
| B (Illuminated Length) | 20.96" |
| C (Diameter) | 1.10" |

NOMINAL LENGTH: 24"

BASE TYPE: G13 (Medium Bi-Pin)

ORDERING INFORMATION

| ORDER CODE | CARTON QUANTITY | UPC | EASY CODE |
|---------------------------|-----------------|--------------|-----------|
| KT-LED7T8-24GC-835-D-VDIM | 25 | 843654136400 | ELC-91 |

CATALOG NUMBER BREAKDOWN

KT-LED7T8-24GC-835-D-VDIM

1 2 3 4 5 6 7 8 9 10

- 1 Keystone Technologies
- 2 LED Lamp
- 3 Wattage
- 4 Lamp Type
- 5 Nominal Length (Inches)
- 6 Coated Glass
- 7 >80 CRI
- 8 Color Temperature
- 9 Direct Drive Series
- 10 0–10V Dimming