



ESSENTIAL SERIES

GENERAL PURPOSE LED BULBS

KT-LED7.5MR16-S-9XX

REPLACEMENT LAMP



DESCRIPTION

7.5W MR16 Lamp | 2700–5000K | >90 CRI | Spot Light

| |
|--|
| LAMP TYPE: MR16 |
| BASE TYPE: GU5.3 |
| WATTAGE: 7.5W |
| COLOR TEMPERATURE: 2700–5000K |
| COLOR RENDERING INDEX (CRI): > 90 |
| WARRANTY: 3 Years |
| RATED LIFE: L70 (25,000 Hours) |



TYPICAL APPLICATIONS

- Track Lighting
- Outdoor Landscape (with suitable protection from the elements)
- Display
- Undercabinet

PRODUCT FEATURES

- Energy Efficient, 80%+ Energy Savings over Legacy Equivalents
- Lower Heat Generation than Legacy Equivalents
- Rated for open and recessed fixtures
- PF >0.90
- Complies with Part 15 of FCC
- HiCRI LED's offer enhanced color rendering vs 80 CRI LED's, providing ideal clarity, representation, and uniformity of illuminated area/objects
- Smooth, uniform dimming
- Title 20 Compliant
- Operating temperature range –4°F/–20°C to 95°F/35°C
- Long Life minimizes replacement and maintenance costs
- ANSI complaint construction ensures fitment for intended applications
- Meets Energy Star requirements
- UL Listed
- Durable Plastic housing lowers the risk for breakage
- Precision crafted full face optics for precise beam angle control
- Compatible with Keystone Low Voltage Transformers

ELECTRICAL AND PERFORMANCE SPECIFICATIONS

| Keystone Catalog Number | Description | Color Temp | Input Voltage | Rated Lamp Wattage | Legacy Equivalent Wattage | Base Type | Lumens | CRI | Light Distribution | Dimmable | Efficacy |
|-------------------------|---------------------------------|------------|---------------|--------------------|---------------------------|-----------|--------|-----|--------------------|----------|----------|
| KT-LED7.5MR16-S-927 | MR16 bulb. Spot light, dimmable | 2700K | 12V | 7.5W | 75W halogen | GU5.3 | 570 | >90 | 35° | Yes | 76 lm/W |
| KT-LED7.5MR16-S-930 | MR16 bulb. Spot light, dimmable | 3000K | 12V | 7.5W | 75W halogen | GU5.3 | 570 | >90 | 35° | Yes | 76 lm/W |
| KT-LED7.5MR16-S-940 | MR16 bulb. Spot light, dimmable | 4000K | 12V | 7.5W | 75W halogen | GU5.3 | 570 | >90 | 35° | Yes | 76 lm/W |
| KT-LED7.5MR16-S-950 | MR16 bulb. Spot light, dimmable | 5000K | 12V | 7.5W | 75W halogen | GU5.3 | 570 | >90 | 35° | Yes | 76 lm/W |



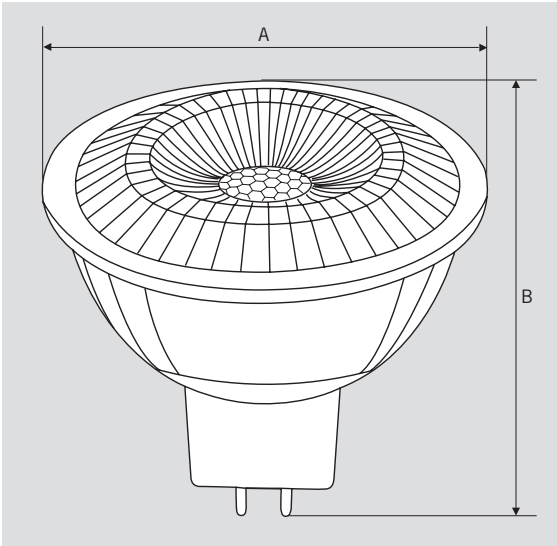
ESSENTIAL SERIES

GENERAL PURPOSE LED BULBS

KT-LED7.5MR16-S-9XX

REPLACEMENT LAMP

PHYSICAL CHARACTERISTICS



PACKAGING

| | |
|-------------------|-------------------------|
| Carton Quantity | 60 pcs |
| Carton Dimensions | 12.95" × 10.91" × 6.54" |
| Carton Weight | 9.5 lbs |

LAMP DIMENSIONS

| | |
|--------------|-------|
| A (Diameter) | 1.97" |
| B (Length) | 1.91" |

BASE TYPE: GU5.3

ORDERING INFORMATION

| ORDER CODE | CARTON QUANTITY | ITEM STATUS |
|---------------------|-----------------|-------------|
| KT-LED7.5MR16-S-9XX | 60 pcs | Active |

CATALOG NUMBER BREAKDOWN

KT-LED7.5MR16-S-9XX

1 2 3 4 5 6 7

- 1 Keystone Technologies
- 2 LED Lamp
- 3 Wattage
- 4 Lamp Shape
- 5 Narrow Spot Light
- 6 900 Series
- 7 Color Temperature