



# KT-LED62P-0-8XX-D

## 2-PIN LED LAMP

### DESCRIPTION

6W 2-Pin LED Omni-Directional Lamp |  $\geq 80$  CRI | Line-Voltage Compatible



<b>LAMP TYPE:</b> Compact LED
<b>BULB TYPE:</b> 2-Pin LED
<b>BASE TYPE:</b> GX23
<b>WATTAGE:</b> 6W
<b>COLOR TEMPERATURE:</b> 2700–5000K
<b>CFL EQUIVALENT:</b> 13W
<b>COLOR RENDERING INDEX (CRI):</b> $\geq 80$
<b>WARRANTY:</b> 5 Years



### PRODUCT FEATURES

- Replacement for 13W CFL lamp
- Ideal for wall-mounted and ceiling applications
- 50,000+ hour lifetime
- Power factor:  $>0.9$
- Environmentally friendly: No mercury used
- Die-cast aluminum heat sink
- Instant startup
- Suitable for dry and damp locations
- Frosted lens eliminates pixelation
- Approximately 50% more energy efficient than traditional CFL lamps
- Ideal for totally enclosed fixtures
- Operating temperature:
  - For enclosed fixture (1 lamp per fixture max),  $-20^{\circ}\text{C}/-4^{\circ}\text{F}$  to max  $30^{\circ}\text{C}/86^{\circ}\text{F}$
  - For open fixture,  $-20^{\circ}\text{C}/-4^{\circ}\text{F}$  to max  $40^{\circ}\text{C}/105^{\circ}\text{F}$
- Non-dimmable
- Rotatable  $260^{\circ}$  beam angle
- UL damp listed

### OPERATING SPECIFICATIONS

#### ELECTRICAL CHARACTERISTICS

Input Voltage	Lamp Wattage	Power Factor
120–277Vac	6W	$>0.9$

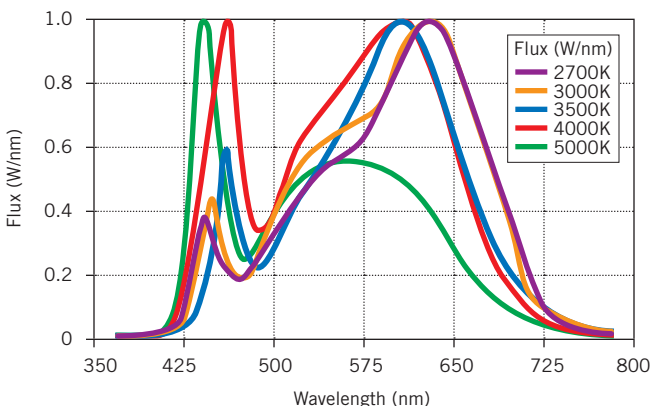
#### PHOTOMETRIC CHARACTERISTICS

Color Temperature (CCT)	2700K	3000K	3500K	4000K	5000K
<b>Luminous Flux</b>	600 lm	600 lm	600 lm	600 lm	600 lm
<b>Color Rendering Index (CRI)</b>	$\geq 80$	$\geq 80$	$\geq 80$	$\geq 80$	$\geq 80$
<b>Efficacy</b>	100 lm/W	100 lm/W	100 lm/W	100 lm/W	100 lm/W
<b>Beam Angle</b>	$260^{\circ}$	$260^{\circ}$	$260^{\circ}$	$260^{\circ}$	$260^{\circ}$

#### RATED LIFE

<b>L70 (Hours)</b>	50,000
--------------------	--------

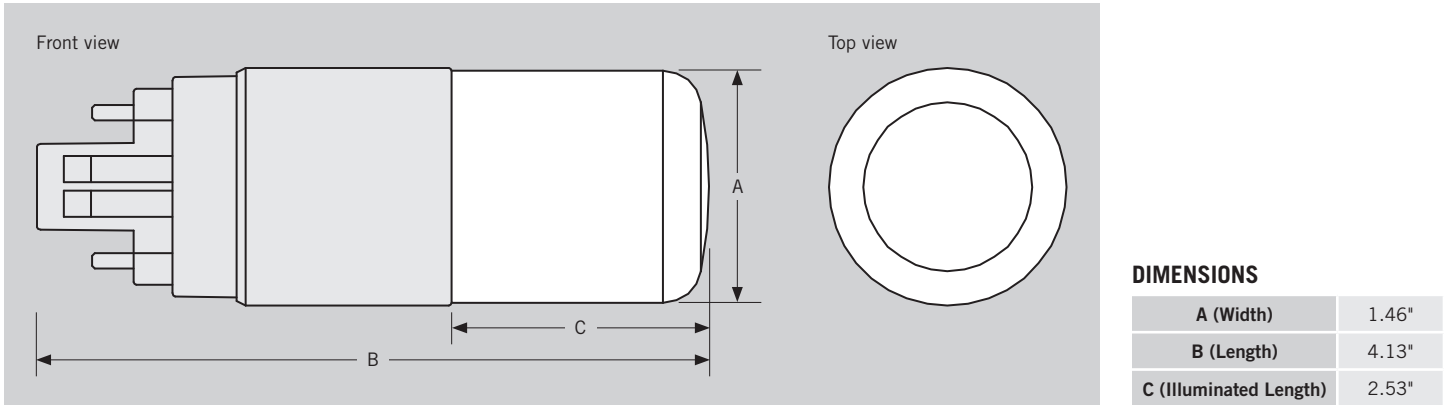
#### SPECTRAL DISTRIBUTION



## KT-LED62P-0-8XX-D

### 2-PIN LED LAMP

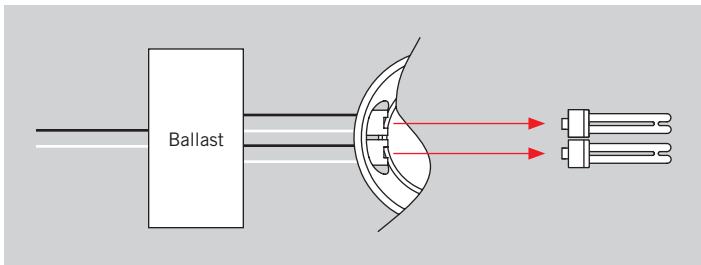
#### PHYSICAL CHARACTERISTICS



#### WIRING INSTRUCTIONS

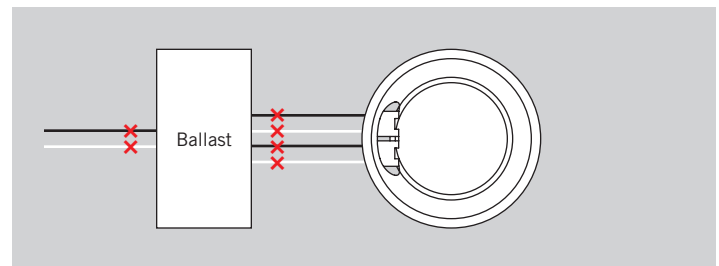
##### STEP 1

**Disconnect power.** Remove can cover (if applicable) and remove existing lamps from fixture.



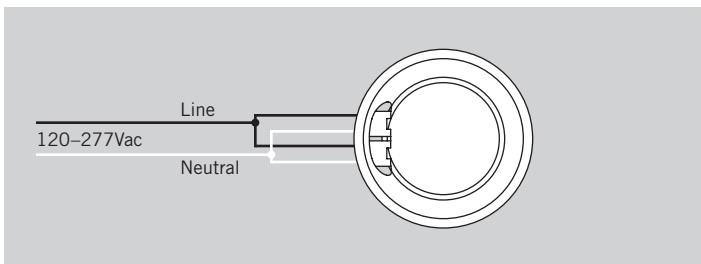
##### STEP 2

Cut and remove all wires connected to ballast.



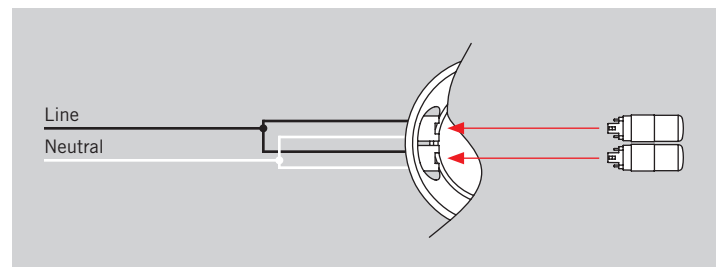
##### STEP 3

Connect AC input wires to lamp sockets.



##### STEP 4

Install replacement GX23 LED lamps into sockets. Replace can cover, ensuring that all connecting wires are covered by metal housing. Reconnect power.





# KT-LED62P-O-8XX-D

2-PIN LED LAMP

## ORDERING INFORMATION

ORDER CODE	PACK QTY.	ITEM STATUS
KT-LED62P-O-8XX-D	50	Quick Ship

## CATALOG NUMBER BREAKDOWN

# KT-LED62P-O-8XX-D

1 2 3 4 5 6 7 8

- 1 Keystone Technologies
- 2 LED Lamp
- 3 Wattage
- 4 Lamp Type
- 5 Omni-Directional Orientation
- 6 800 Series
- 7 Color Temperature
- 8 Direct Drive Series