



# ESSENTIAL SERIES

GENERAL PURPOSE LED BULBS

## KT-LED4.5FG16-E26-822-A REPLACEMENT LAMP

### DESCRIPTION

4.5W G16 Lamp | 2200K | ≥80 CRI | Small Amber Globe



<b>LAMP TYPE:</b> Filament G16
<b>BASE TYPE:</b> E26 (Medium)
<b>WATTAGE:</b> 4.5W
<b>COLOR TEMPERATURE:</b> 2200K
<b>COLOR RENDERING INDEX (CRI):</b> ≥80
<b>WARRANTY:</b> 3 Years
<b>RATED LIFE:</b> L70 (15,000 Hours)



### TYPICAL APPLICATIONS

- Chandeliers
- Vanity Fixtures
- Decorative Accent Lighting
- Wall Sconces
- Pendant Lights

### PRODUCT FEATURES

- Energy efficient, 80%+ energy savings over legacy equivalents
- Lower heat generation than legacy equivalents
- Smooth, uniform dimming
- Filament-style LED construction offers unique traditional appearance for decorative and mood-sensitive applications
- Long life minimizes replacement and maintenance costs
- Suitable for use in damp locations
- Complies with Part 15 of FCC
- Operating temperature range -4°F/-20°C to 95°F/35°C
- PF >0.70
- Rated for open and enclosed fixtures
- ANSI compliant construction ensures fitment for intended applications
- UL Listed
- Meets Energy Star requirements

### ELECTRICAL AND PERFORMANCE SPECIFICATIONS

Keystone Catalog Number	Description	Color Temp*	Input Voltage	Rated Lamp Wattage	Legacy Equivalent Wattage	Lumens	Efficacy	CRI	Base Type	Beam Angle	Dimmable
KT-LED4.5FG16-E26-822-A	G16 small globe filament bulb; Amber; Dimmable	2200K	120V	4.5W	40W incandescent	350 lm	78 lm/W	≥80	E26	360°	Yes

\* Color Uniformity: CCT (Correlated Color Temperature) range as per guidelines outlined in ANSI C78.377-2017



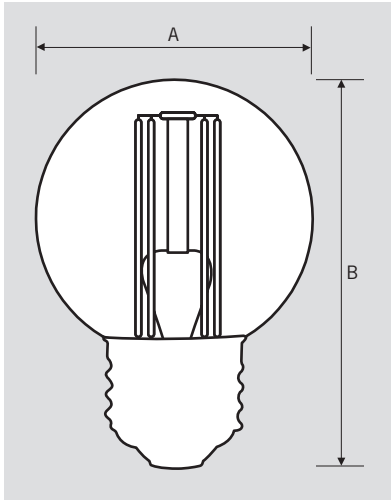
# ESSENTIAL SERIES

GENERAL PURPOSE LED BULBS

## KT-LED4.5FG16-E26-822-A

REPLACEMENT LAMP

### PHYSICAL CHARACTERISTICS



#### LAMP DIMENSIONS

A (Diameter)	1.97"
B (Length)	2.95"

BASE TYPE: E26 (Medium)

#### RATED LIFE

L70 (Hours)	15,000
-------------	--------

#### PACKAGING

Carton Quantity	24 pcs
Carton Dimensions	13.38" × 9.06" × 4.53"
Carton Weight	2.9 lbs

### ORDERING INFORMATION

ORDER CODE	CARTON QUANTITY	ENERGY STAR UNIQUE ID	EASY CODE	UPC
KT-LED4.5FG16-E26-822-A	24 pcs	2365955	XPX-09	843654129853

### CATALOG NUMBER BREAKDOWN

# KT-LED4.5FG16-E26-822-A

1 2 3 4 5 6 7 8 9

- 1 Keystone Technologies
- 2 LED Lamp
- 3 Wattage
- 4 Filament Bulb
- 5 Lamp Shape
- 6 Base Type
- 7 800 Series
- 8 Color Temperature
- 9 Amber Bulb