



# KT-LED35A25-O-XX-8XX

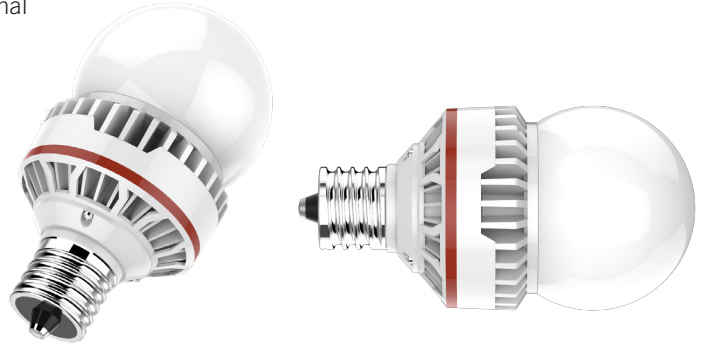
## REPLACEMENT LAMP

### DESCRIPTION

35W Commercial A25 Lamp | 3000–5000K | >80 CRI | Omni-Directional



<b>LAMP TYPE:</b> Commercial A25
<b>BASE TYPE:</b> E26 (Medium) or EX39 (Mogul)
<b>WATTAGE:</b> 35W
<b>COLOR TEMPERATURE:</b> 3000–5000K
<b>COLOR RENDERING INDEX (CRI):</b> >80
<b>WARRANTY:</b> 5 Years



### PRODUCT FEATURES

- Up to 75% energy saving compared to legacy equivalent lamps
- Can be used in base-up or base-down position
- Rated for open and enclosed fixtures
- Large metal heatsink for optimal heat dissipation
- THD <20%
- PF >0.90
- Operating temperature range: –22°F/–30°C to 113°F/45°C; 95°F/35°C max for fully enclosed fixture
- Ideal for post top, bollards, and outdoor corridor lighting
- Suitable for damp locations
- Meets Energy Star requirements
- UL 1993 and 1598C Rated

### ELECTRICAL AND PERFORMANCE SPECIFICATIONS

Keystone Catalog Number	Description	Color Temp	Input Voltage	Rated Lamp Wattage	Legacy Equivalent Wattage	Base Type	Lumens	CRI	Light Distribution	Dimmable	Efficacy
KT-LED35A25-O-E26-830	Commercial A25 Bulb. Universal Input Voltage, Omni-Directional, Non-Dimmable	3000K	120–277V	35W	300W incand./150W HID	E26	4550 L	>80	330	No	130 lm/W
KT-LED35A25-O-E26-840	Commercial A25 Bulb. Universal Input Voltage, Omni-Directional, Non-Dimmable	4000K	120–277V	35W	300W incand./150W HID	E26	4780 L	>80	330	No	137 lm/W
KT-LED35A25-O-E26-850	Commercial A25 Bulb. Universal Input Voltage, Omni-Directional, Non-Dimmable	5000K	120–277V	35W	300W incand./150W HID	E26	4850 L	>80	330	No	139 lm/W
KT-LED35A25-O-EX39-830	Commercial A25 Bulb. Universal Input Voltage, Omni-Directional, Non-Dimmable	3000K	120–277V	35W	300W incand./150W HID	EX39	4550 L	>80	330	No	130 lm/W
KT-LED35A25-O-EX39-840	Commercial A25 Bulb. Universal Input Voltage, Omni-Directional, Non-Dimmable	4000K	120–277V	35W	300W incand./150W HID	EX39	4780 L	>80	330	No	137 lm/W
KT-LED35A25-O-EX39-850	Commercial A25 Bulb. Universal Input Voltage, Omni-Directional, Non-Dimmable	5000K	120–277V	35W	300W incand./150W HID	EX39	4850 L	>80	330	No	139 lm/W

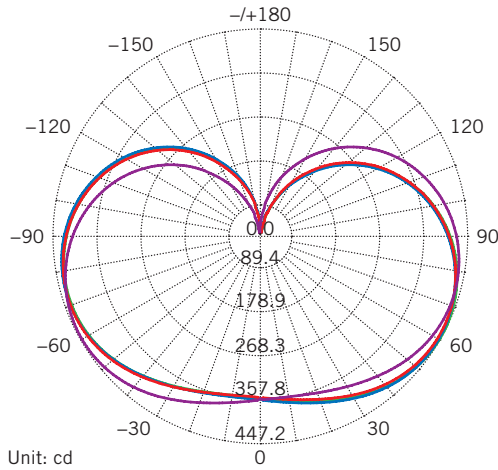


# KT-LED35A25-0-XX-8XX

## REPLACEMENT LAMP

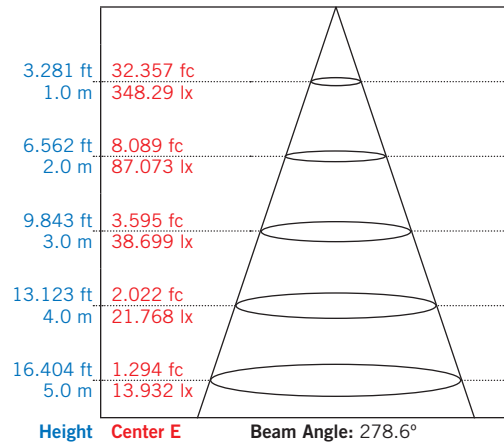
### OPERATING SPECIFICATIONS

#### POLAR CANDELA DISTRIBUTION



C Plane	50% MaxAng.	10% MaxAng.
■ C60.0_240.0	278.6	344.0
■ C0.0_180.0	279.4	346.7
■ C90.0_270.0	279.5	344.7
■ C180.0_360.0	279.4	346.7

#### LUX DISTANCE CURVE

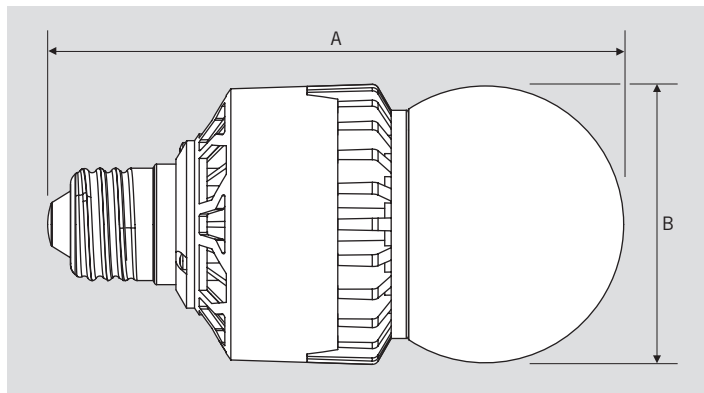


Note: The curves indicate the illuminated area and the average illumination when the luminaire is at a different distance.

#### RATED LIFE

L70 (Hours)	50,000
-------------	--------

### PHYSICAL CHARACTERISTICS



#### LAMP DIMENSIONS

A (Length)	6.91" (E26)/7.25" (EX39)
B (Diameter)	3.73"

BASE TYPE: E26 (Medium) or EX39 (Mogul)

### PACKAGING

Carton Quantity	12 pcs (35W)
Carton Dimensions	11" x 15.9" x 18.7"
Carton Weight	24.25 lbs



# KT-LED35A25-O-XX-8XX

## REPLACEMENT LAMP

### ORDERING INFORMATION

ORDER CODE	DESCRIPTION	PACK QUANTITY	ITEM STATUS
KT-LED35A25-O-XX-8XX-DP	Replacement Lamp	12 pcs (35W)	Active

### CATALOG NUMBER BREAKDOWN

# KT-LED35A25-O-XX-8XX

1 2 3 4 5 6 7 8

- 1 Keystone Technologies
- 2 LED Lamp
- 3 Wattage
- 4 Lamp Style
- 5 Omni-Directional
- 6 Base Type
- 7 800 Series
- 8 Color Temperature