



KT-LED18T8HO-48G-840-D2

T8 LED LAMP

DESCRIPTION

18W LED T8 HO Lamp, 4ft long, Glass Construction | R17D Socket | 4000K
 120-277V Input | Internal Driver | Direct Drive



RoHS Compliant

5 YEAR WARRANTY

LAMP TYPE: Linear
BULB TYPE: T8 HO Lamp
BASE TYPE: R17D Socket
WATTAGE: 18W
COLOR TEMPERATURE: 4000K
COLOR RENDERING INDEX (CRI): >82
WARRANTY: 5 Years



PRODUCT FEATURES

- Replacement for conventional fluorescent lamp
- 50,000+ hour lifetime
- Approximately 40% more energy efficient than standard F32T8 lamps
- Environmentally friendly: No mercury used
- Instant startup
- Frosted lens eliminates pixelation
- Integral driver (isolated) eliminates the need for external driver or ballast
- UL classified

PERFORMANCE SPECIFICATIONS

Catalog Number	Input Voltage	Input Current	Wattage	Color Temperature	Lumen Output	CRI	Power Factor	Efficacy
KT-LED18T8HO-48G-840-D2	120-277V	170mA	18W	4000K	2500 lm	>82	>0.9	139 lm/W

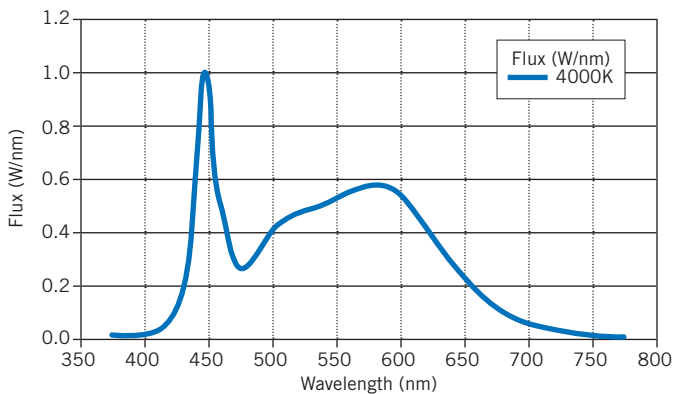
PHOTOMETRIC CHARACTERISTICS

Color Temperature (CCT)	4000K
Luminous Flux	2500 lm
Color Rendering Index (CRI)	>80
Efficacy	139 lm/W
Beam Angle	220°
Visible Light Area	320°

MECHANICAL CHARACTERISTICS

Rated Life (L70)	50,000 hours
Wiring	Double-ended

SPECTRAL DISTRIBUTION



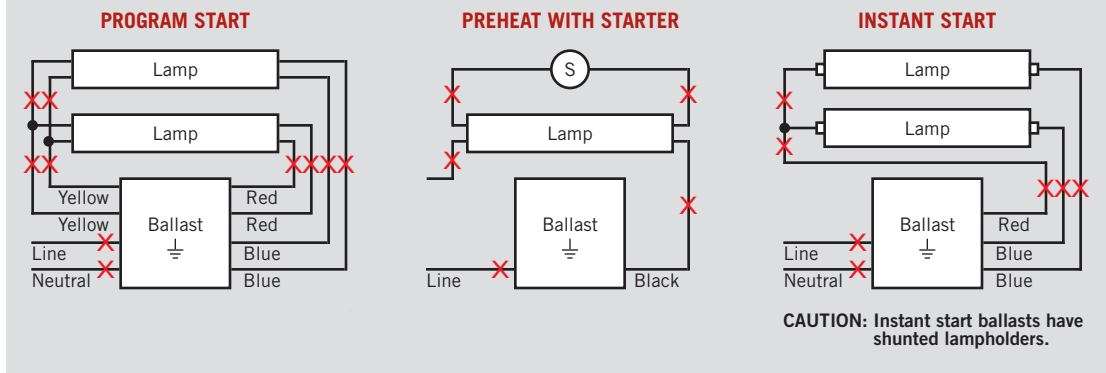
KT-LED18T8HO-48G-840-D2

T8 LED LAMP

WIRING DIAGRAMS

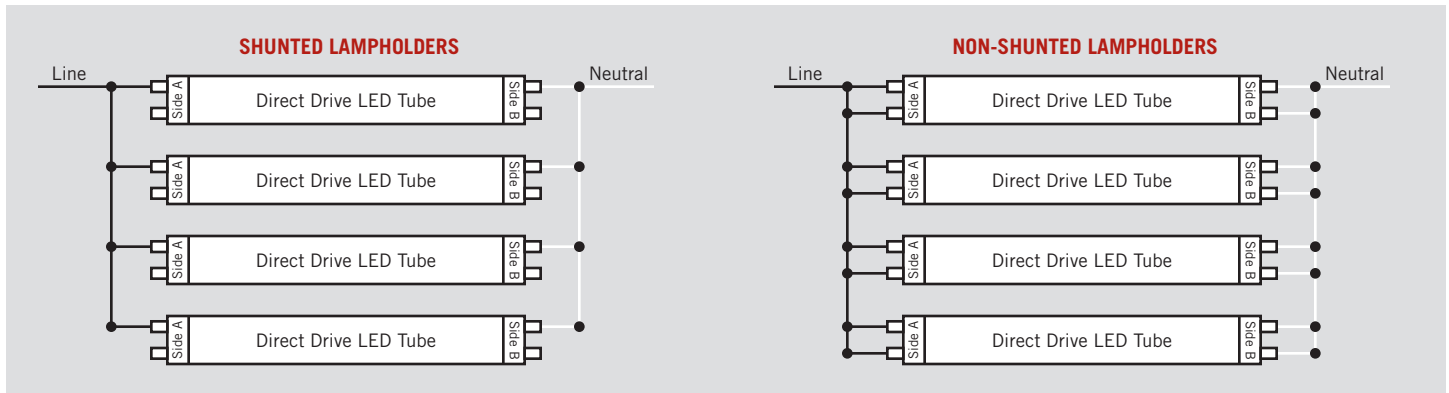
- Cut all existing connections to ballast as shown below and remove ballast. See *Figure A* for typical ballast configurations.

FIGURE A TYPICAL BALLAST CONFIGURATIONS

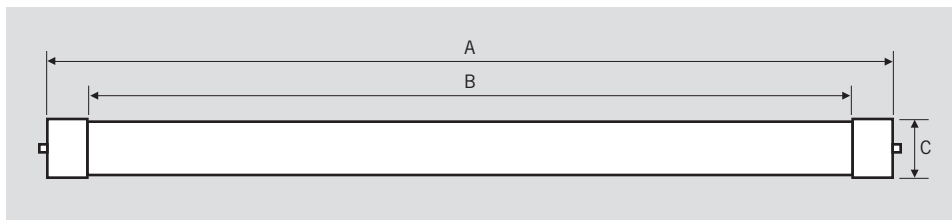


- Re-wire fixture as shown below. For double-ended wiring, use either shunted or nonshunted lampholders.

NOTE: There should not be any exposed wires at the end of installation.



PHYSICAL CHARACTERISTICS



LAMP DIMENSIONS

A (Body Length)	45.91"
B (Illuminated Length)	40.40"
C (Diameter)	1.14"

NOMINAL LENGTH: 48"

BASE TYPE: R17D socket



KT-LED18T8HO-48G-840-D2

T8 LED LAMP

ORDERING INFORMATION

ORDER CODE	CARTON QUANTITY	UPC	EASY CODE
KT-LED15T8-48G-840-D2	25	843654133812	YNL-47

CATALOG NUMBER BREAKDOWN

KT-LED18T8HO-48G-840-D2

1 2 3 4 5 6 7 8 9

- 1 Keystone Technologies
- 2 LED Lamp
- 3 Wattage
- 4 Lamp Type
- 5 Nominal Length (Inches)
- 6 Glass Construction
- 7 CRI
- 8 Color Temperature
- 9 Double-Ended Wiring