

## KT-LED15DL-6CA-830-DIM-CS

### 6" CONTRACTOR PRIME SURFACE MOUNT DISK LIGHT

#### DESCRIPTION

6" Circular LED Residential Retrofit Disk Light

#### APPLICATION

Ideal for residential, hospitality, retail, and other retrofit and new construction applications

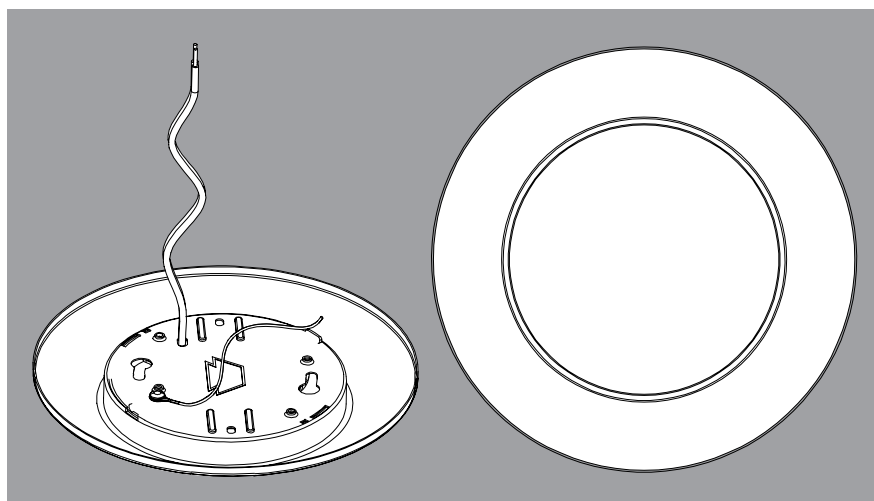


#### PRODUCT FEATURES

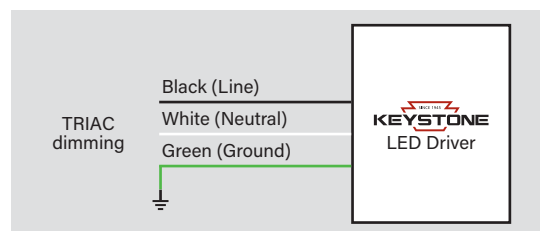
- Ideal for retrofit, new construction, and remodel applications
- Flush-mount offers clean, modern appearance
- Diffused lens reduces glare
- Powered by Keystone TRIAC dimming LED driver; 10–100% dimming
- Ambient operating temperature: -25°C/-13°F to 40°C/104°F
- Suitable for use in wet locations
- Power factor: > 0.70
- FCC Part 15, Subpart B, Class B

#### PERFORMANCE SPECIFICATIONS

| Catalog Number            | Input Voltage | Wattage | CCT   | Lumen Output | Efficacy | CRI | Beam Angle | Lifetime   |
|---------------------------|---------------|---------|-------|--------------|----------|-----|------------|------------|
| KT-LED15DL-6CA-830-DIM-CS | 120V          | 15W     | 3000K | 1100         | 73 lm/W  | >80 | 110°       | 11,000 hrs |



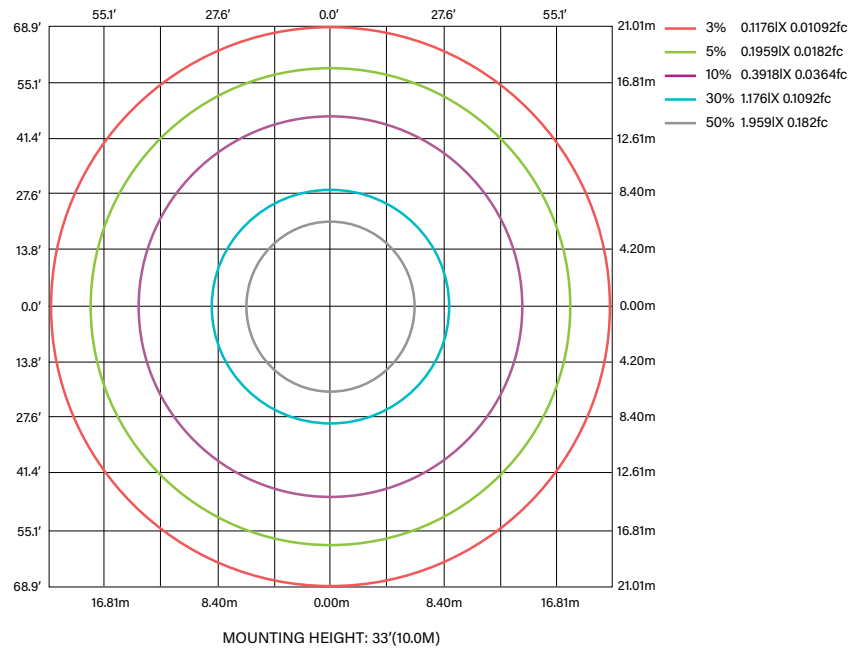
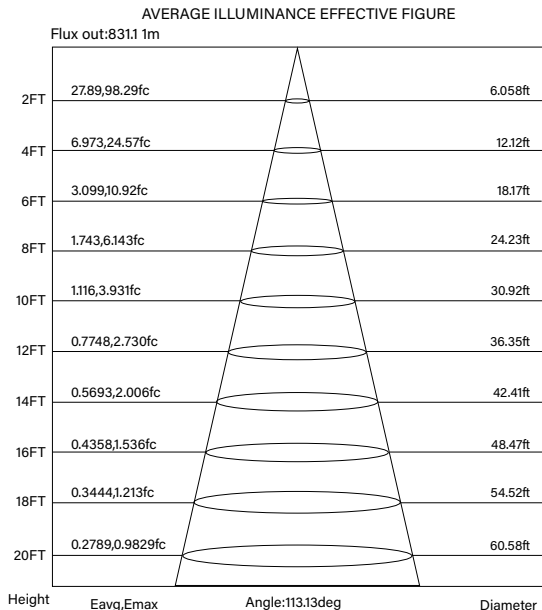
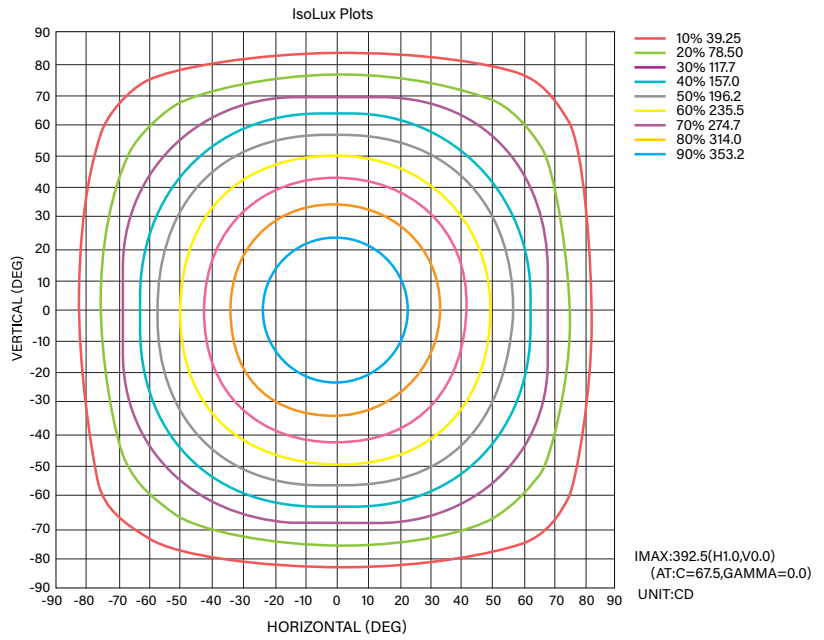
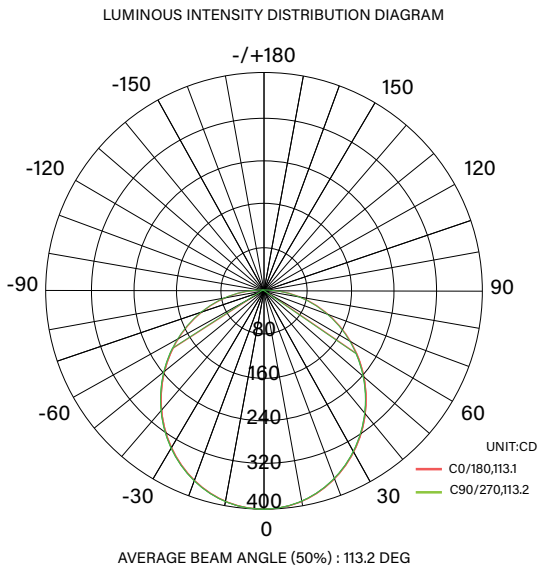
#### GENERAL WIRING DIAGRAM



# KT-LED15DL-6CA-830-DIM-CS

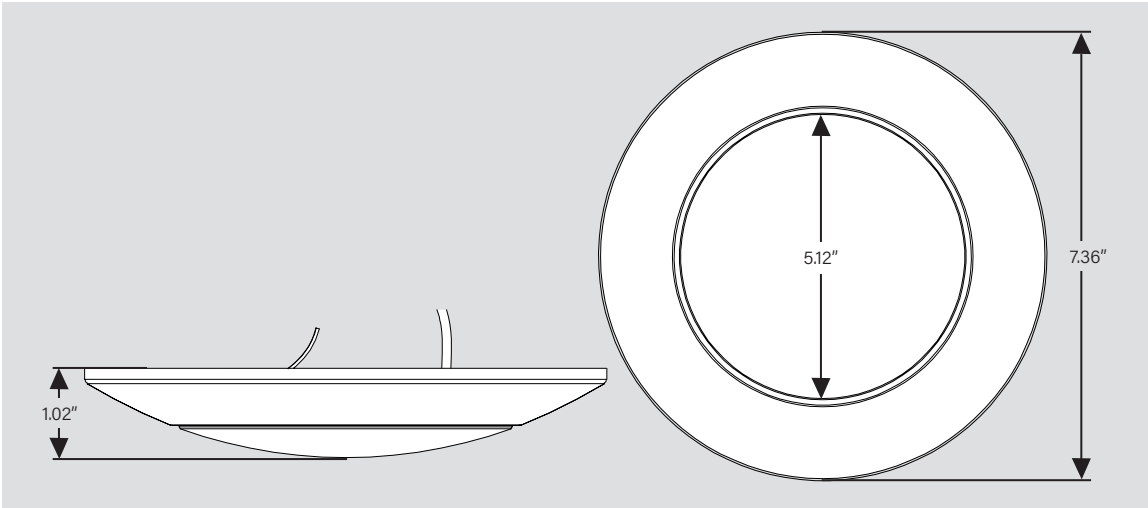
## 6" CONTRACTOR PRIME SURFACE MOUNT DISK LIGHT

**PHOTOMETRIC SPECIFICATIONS**



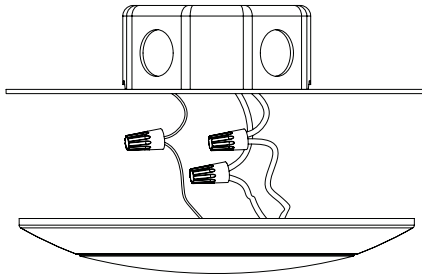
**KT-LED15DL-6CA-830-DIM-CS**  
 6" CONTRACTOR PRIME SURFACE MOUNT DISK LIGHT

**PHYSICAL SPECIFICATIONS**



**INSTALLATION INSTRUCTIONS**

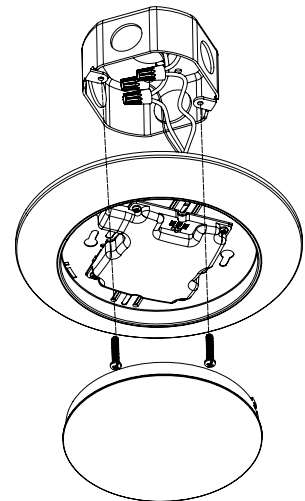
1. Connect the luminaire to supply wires with the wire nuts (included).



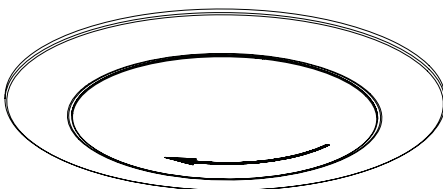
2. Remove lens by turning counter clockwise to unlock.



3. Safely place all wires into the junction box, mount luminaire to the junction box and screws through the keyhole slots. 6" luminaires are compatible with either 2.75" or 3.5" junction boxes.



4. Replace lens and twist clockwise to lock.



*(Instructions continued on next page)*



# KT-LED15DL-6CA-830-DIM-CS

## 6" CONTRACTOR PRIME SURFACE MOUNT DISK LIGHT

**ORDERING INFORMATION**

| Catalog Number            | UPC          | Easy Code |
|---------------------------|--------------|-----------|
| KT-LED15DL-6CA-830-DIM-CS | 843654156903 | WMC-49    |

**CATALOG NUMBER BREAKDOWN**

# KT-LED15DL-6CA-830-DIM-CS

- 1
- 2
- 3
- 4
- 5
- 6
- 7
- 8
- 9
- 10
- 11

- 1 Keystone Technologies**
- 2 LED Technology**
- 3 Wattage**
- 4 Fixture Type**
  - DL Disk Light
- 5 Nominal Size**
  - 6 6" Nominal
- 6 Shape**
  - C Circular
- 7 Designation**
  - A Series A Design
- 10 Dimming**
  - DIM TRIAC Dimmable
- 8 80 CRI**
- 9 CCT**
- 10 Dimming**
- 11 Contractor Series**