



# KT-LED14.5T8-48G-8XX-D2 /G2

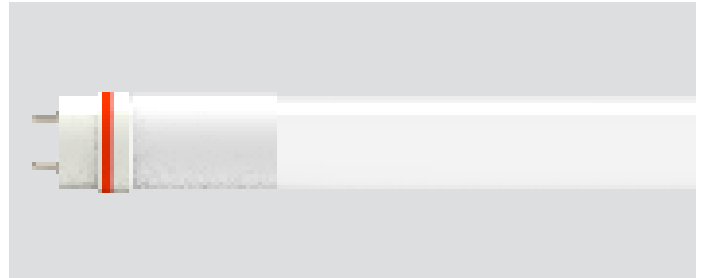
## T8 LED LAMP

### DESCRIPTION

14.5W LED T8 Tube | 3500/4000/5000K | > 80 CRI | High-Efficiency



<b>LAMP TYPE:</b> Linear
<b>BULB TYPE:</b> T8
<b>BASE TYPE:</b> G13 (Medium Bi-Pin)
<b>WATTAGE:</b> 14.5W
<b>COLOR TEMPERATURE:</b> 3500/4000/5000K
<b>COLOR RENDERING INDEX (CRI):</b> > 80
<b>WARRANTY:</b> 5 Years



### PRODUCT FEATURES

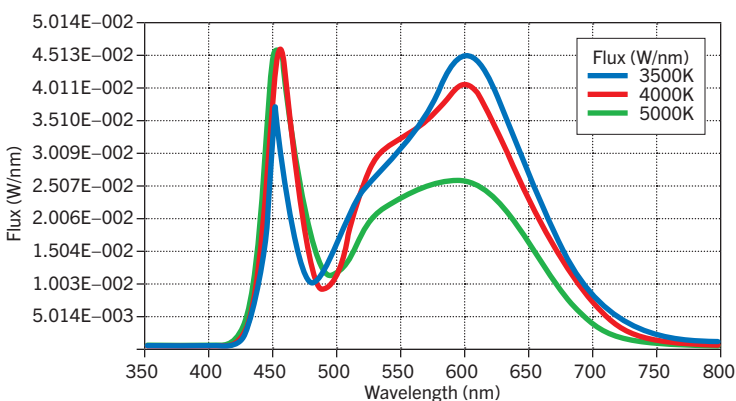
- Replacement for conventional fluorescent lamp
- Double-ended wiring
- 50,000+ hour lifetime
- Approximately 60% more energy efficient than standard F32T8 lamps
- Environmentally friendly: No mercury used
- Instant startup
- DLC Listed
- Frosted glass lens eliminates pixelation
- UL Classified
- Operating temperature: -20°C/-4°F to 45°C/113°F
- Storage temperature: -30°C/-22°F to 60°C/140°F
- Operating humidity: 10-80%
- Integral driver (isolated), eliminates the need for external driver or ballast
- 120+ Lumens per Watt
- Not compatible with Keystone AC Emergency Drivers: KT-EMRG-LED-5-500-AC, KT-EMRG-LED-5-500-AC/DF, KT-EMRG-LED-12-1200-AC, or KT-EMRG-LED-12-1200-AC /DF
- Meets FCC Part 15, Part B
- Not rated for use in Vapor Tight style fixtures
- Lamp is dimmable when used with an appropriate dimming accessory (purchased separately). Contact Keystone for more details to find out what is best for the intended application

### PERFORMANCE SPECIFICATIONS

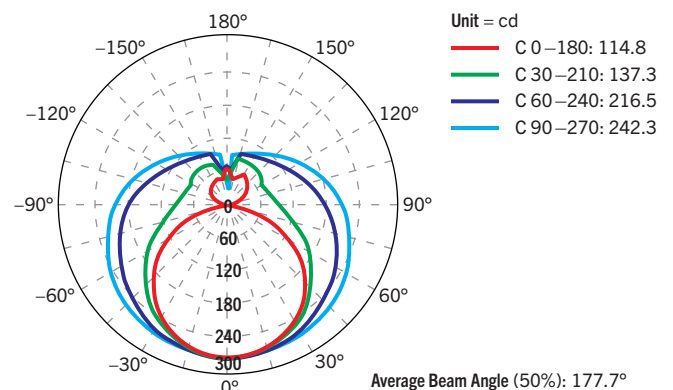
Catalog Number	Input Voltage	Wattage	Color Temperature	Lumen Output	Efficacy	CRI	Beam Angle	Visible Light Area	Power Factor	THD	Input Current	Life Time
KT-LED14.5T8-48G-835-D2 /G2	120-277V	14.5W	3500K	1750	122 lm/W	>80	240°	325°	> 0.9	> 20%	120mA @120V 52mA @277V	50,000 hrs
KT-LED14.5T8-48G-840-D2 /G2	120-277V	14.5W	4000K	1800	124 lm/W	>80	240°	325°	> 0.9	> 20%	120mA @120V 52mA @277V	50,000 hrs
KT-LED14.5T8-48G-850-D2 /G2	120-277V	14.5W	5000K	1800	124 lm/W	>80	240°	325°	> 0.9	> 20%	120mA @120V 52mA @277V	50,000 hrs

### PHOTOMETRIC CHARACTERISTICS

#### SPECTRAL DISTRIBUTION



#### POLAR CANDELA DISTRIBUTION



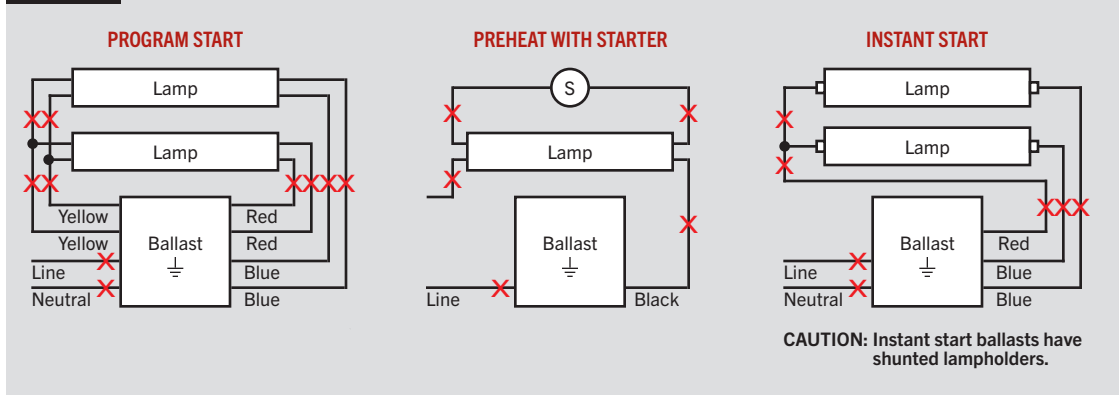
# KT-LED14.5T8-48G-8XX-D2 /G2

## T8 LED LAMP

### WIRING DIAGRAMS

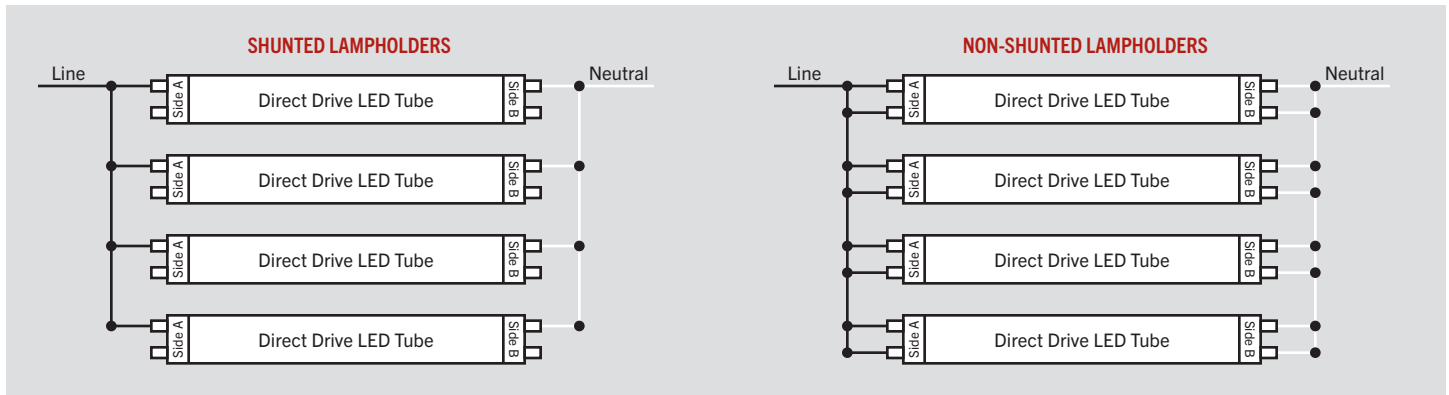
1. Cut all existing connections to ballast as shown below and remove ballast.  
See Figure A for typical ballast configurations.

**FIGURE A** TYPICAL BALLAST CONFIGURATIONS



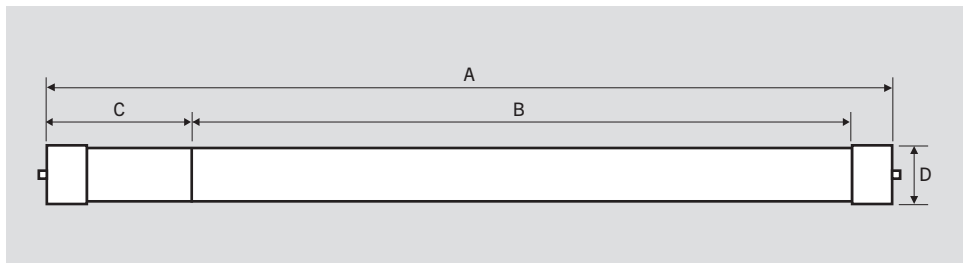
2. Re-wire fixture as shown below. For double-ended wiring, use either shunted or nonshunted lampholders.

**NOTE:** There should not be any exposed wires at the end of installation.



**WARNING** Not Compatible with Keystone AC Emergency Backups

### PHYSICAL CHARACTERISTICS



#### LAMP DIMENSIONS

A (Body Length)	47.20"
B (Illuminated Length)	44.00"
C (End Cap/Sticker Area)	2.25"
D (Diameter)	1.10"

**NOMINAL LENGTH:** 48"

**BASE TYPE:** G13 (Medium Bi-Pin)



# KT-LED14.5T8-48G-8XX-D2 /G2

## T8 LED LAMP

### ORDERING INFORMATION

ORDER CODE	CARTON QUANTITY	UPC	EASY CODE
KT-LED14.5T8-48G-835-D2 /G2	25	843654148625	OSW-49
KT-LED14.5T8-48G-840-D2 /G2	25	843654148632	HRI-40
KT-LED14.5T8-48G-850-D2 /G2	25	843654148649	VYF-69

### CATALOG NUMBER BREAKDOWN

# KT-LED14.5T8-48G-8XX-D2 /G2

1 2 3 4 5 6 7 8 9 10

- 1 Keystone Technologies
- 2 LED Lamp
- 3 Wattage
- 4 Lamp Type
- 5 Nominal Length (Inches)
- 6 Glass Construction
- 7 CRI
- 8 Color Temperature
- 9 Double-Ended Wiring
- 10 Second Generation