



ESSENTIAL SERIES

GENERAL PURPOSE LED BULBS

KT-LED13PAR38-NF-8XX

REPLACEMENT LAMP

DESCRIPTION

13.2W PAR38 Lamp | 2700–5000K | >80 CRI | Narrow Flood



LAMP TYPE: PAR38
BASE TYPE: E26 (Medium)
WATTAGE: 13.2W
COLOR TEMPERATURE: 2700–5000K
COLOR RENDERING INDEX (CRI): >80
WARRANTY: 3 Years
RATED LIFE: L70 (25,000 Hours)



TYPICAL APPLICATIONS

- Track Lighting
- Display
- Flood and SpotLighting
- Outdoor fixtures (with suitable protection from the elements)

PRODUCT FEATURES

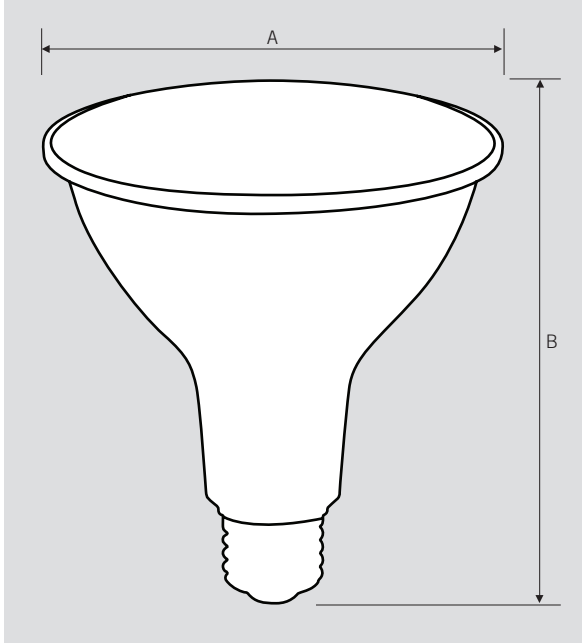
- Energy efficient, 80%+ energy savings over legacy equivalents
- Lower heat generation than legacy equivalents
- PF >0.70
- Complies with Part 15 of FCC
- Smooth, uniform dimming
- Durable Plastic housing lowers the risk for breakage
- Precision crafted full face optics for precise beam angle control
- Operating temperature range –4°F/–20°C to 113°F/45°C
- Long life minimizes replacement and maintenance costs
- ANSI complaint construction ensures fitment for intended applications
- Meets Energy Star requirements
- UL Listed
- Rated for use in damp and wet location
- Suitable for use in open, enclosed, and recessed fixtures

ELECTRICAL AND PERFORMANCE SPECIFICATIONS

Keystone Catalog Number	Description	Color Temp	Input Voltage	Rated Lamp Wattage	Legacy Equivalent Wattage	Base Type	Lumens	Energy Star CBCP	CRI	Light Distribution	Dimmable	Efficacy
KT-LED13PAR38-NF-827	PAR38 bulb. Narrow flood, dimmable	2700K	120V	13.2W	120W halogen	E26	1280	5955	>80	25°	Yes	97 lm/W
KT-LED13PAR38-NF-830	PAR38 bulb. Narrow flood, dimmable	3000K	120V	13.2W	120W halogen	E26	1280	5616	>80	25°	Yes	97 lm/W
KT-LED13PAR38-NF-840	PAR38 bulb. Narrow flood, dimmable	4000K	120V	13.2W	120W halogen	E26	1350	6089	>80	25°	Yes	102 lm/W
KT-LED13PAR38-NF-850	PAR38 bulb. Narrow flood, dimmable	5000K	120V	13.2W	120W halogen	E26	1350	6051	>80	25°	Yes	102 lm/W

KT-LED13PAR38-NF-8XX REPLACEMENT LAMP

PHYSICAL CHARACTERISTICS



LAMP DIMENSIONS

A (Diameter)	4.80"
B (Length)	5.20"

BASE TYPE: E26 (Medium)

PACKAGING

Carton Quantity	24 pcs
Carton Dimensions	21.06" × 15.75" × 13.58"
Carton Weight	19.47 lbs

ORDERING INFORMATION

ORDER CODE	CARTON QUANTITY	ENERGY STAR UNIQUE ID	EASY CODE	UPC
KT-LED13PAR38-NF-827	24 pcs	2348799	HGT-02	843654124025
KT-LED13PAR38-NF-830	24 pcs	2348852	BGT-01	843654124032
KT-LED13PAR38-NF-840	24 pcs	2348853	TMZ-20	843654124049
KT-LED13PAR38-NF-850	24 pcs	2348800	FSR-43	843654124056

CATALOG NUMBER BREAKDOWN

KT-LED13PAR38-NF-8XX

1 2 3 4 5 6 7

- 1 Keystone Technologies
- 2 LED Lamp
- 3 Wattage
- 4 Lamp Shape
- 5 Narrow Flood
- 6 800 Series
- 7 Color Temperature