



ESSENTIAL SERIES

GENERAL PURPOSE LED BULBS

KT-LED13PAR38-F-8XX

REPLACEMENT LAMP

DESCRIPTION

12.5W PAR38 Lamp | 2700–5000K | >80 CRI | Standard Flood



LAMP TYPE: PAR38
BASE TYPE: E26 (Medium)
WATTAGE: 12.5W
COLOR TEMPERATURE: 2700–5000K
COLOR RENDERING INDEX (CRI): >80
WARRANTY: 3 Years
RATED LIFE: L70 (25,000 Hours)



TYPICAL APPLICATIONS

- Track Lighting
- Display
- Flood and SpotLighting
- Outdoor fixtures (with suitable protection from the elements)

PRODUCT FEATURES

- Energy Efficient, 80%+ Energy Savings over Legacy Equivalents
- Lower Heat Generation than Legacy Equivalents
- PF >0.70
- Complies with Part 15 of FCC
- Smooth, uniform dimming
- Durable Plastic housing lowers the risk for breakage
- Precision crafted full face optics for precise beam angle control
- Operating temperature range –4°F/–20°C to 113°F/45°C
- Long Life minimizes replacement and maintenance costs
- ANSI complaint construction ensures fitment for intended applications
- Meets Energy Star requirements
- UL Listed
- Rated for use in damp and wet locations
- Suitable for use in open, enclosed, and recessed fixtures

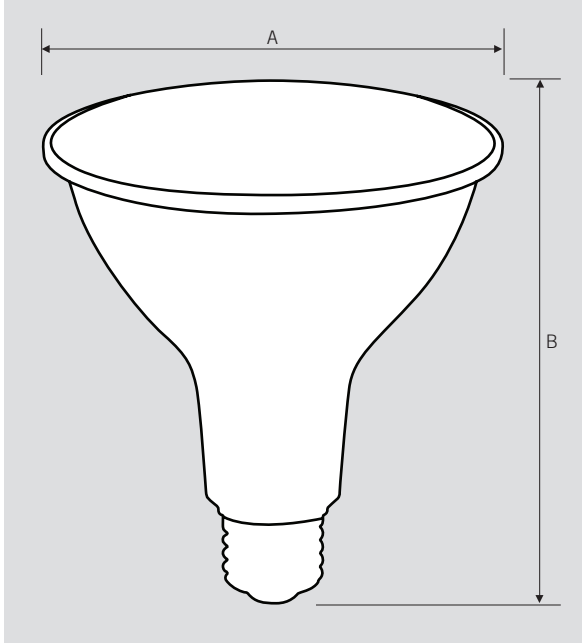
ELECTRICAL AND PERFORMANCE SPECIFICATIONS

Keystone Catalog Number	Description	Color Temp	Input Voltage	Rated Lamp Wattage	Legacy Equivalent Wattage	Base Type	Lumens	Energy Star CBCP	CRI	Light Distribution	Dimmable	Efficacy
KT-LED13PAR38-F-827	PAR38 bulb. Standard flood, dimmable	2700K	120V	12.5W	120W halogen	E26	1200	2491	>80	40°	Yes	96 lm/W
KT-LED13PAR38-F-830	PAR38 bulb. Standard flood, dimmable	3000K	120V	12.5W	120W halogen	E26	1200	2663	>80	40°	Yes	96 lm/W
KT-LED13PAR38-F-840	PAR38 bulb. Standard flood, dimmable	4000K	120V	12.5W	120W halogen	E26	1260	2790	>80	40°	Yes	101 lm/W
KT-LED13PAR38-F-850	PAR38 bulb. Standard flood, dimmable	5000K	120V	12.5W	120W halogen	E26	1260	2770	>80	40°	Yes	101 lm/W

KT-LED13PAR38-F-8XX

REPLACEMENT LAMP

PHYSICAL CHARACTERISTICS



LAMP DIMENSIONS

A (Diameter)	4.80"
B (Length)	5.20"

BASE TYPE: E26 (Medium)

PACKAGING

Carton Quantity	24 pcs
Carton Dimensions	21.06" × 15.75" × 13.58"
Carton Weight	17.61 lbs

ORDERING INFORMATION

ORDER CODE	CARTON QUANTITY	ENERGY STAR UNIQUE ID	EASY CODE	UPC
KT-LED13PAR38-F-827	24 pcs	2348850	LXO-73	843654123981
KT-LED13PAR38-F-830	24 pcs	2348848	XZA-50	843654123998
KT-LED13PAR38-F-840	24 pcs	2348849	SKP-29	843654124001
KT-LED13PAR38-F-850	24 pcs	2348851	BCP-98	843654124018

CATALOG NUMBER BREAKDOWN

KT-LED13PAR38-F-8XX

1 2 3 4 5 6 7

- 1 Keystone Technologies
- 2 LED Lamp
- 3 Wattage
- 4 Lamp Shape
- 5 Standard Flood (F)
- 6 800 Series
- 7 Color Temperature