



EXTERNAL DRIVE LED

TYPE C LED TUBES

KT-LED12T8-36G-8XX-E

T8 LED LAMP

DESCRIPTION

12W T8 LED Tube | Type C | 3000–5000K | >83 CRI | 0–10V Dimming



RoHS Compliant

5 YEAR WARRANTY

LAMP TYPE: Linear
BULB TYPE: T8 LED
BASE TYPE: G13 (Medium Bi-Pin)
DIMMING TYPE: 0–10V
WATTAGE: 12W
LAMP INPUT VOLTAGE: 36–45Vdc
COLOR TEMPERATURE: 3000–5000K
COLOR RENDERING INDEX (CRI): >83



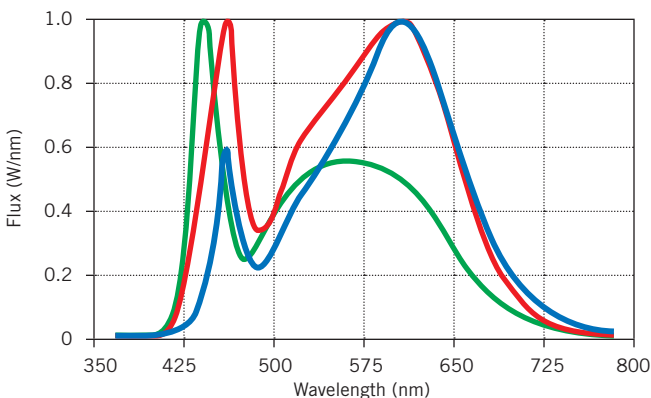
PRODUCT FEATURES

- Compatible with Keystone external drive LED drivers
- Replacement for conventional fluorescent lamps
- 50,000+ hour lifetime
- Type C application for custom installations and maximum efficiency
- Environmentally friendly: No mercury used
- Instant startup
- Frosted glass eliminates pixelation
- UL Classified (pending)
- Operating temperature: –20°C/–4°F to 45°C/113°F
- 120+ lumens per watt

OPERATING SPECIFICATIONS

Catalog Number	Color Temp.	KTLD-1LT8-UV-12C-VDIM													
		KTLD-2LT8-UV-12C-VDIM						KTLD-4LT8-UV-12C-VDIM							
		1 Lamp			2 Lamps			3 Lamps			4 Lamps			Power Factor	
Nominal Input Power	Nominal Lumens	Nominal Efficacy	Nominal Input Power	Nominal Lumens	Nominal Efficacy	Nominal Input Power	Nominal Lumens	Nominal Efficacy	Nominal Input Power	Nominal Lumens	Nominal Efficacy				
KT-LED12T8-36G-830-E	3000K	13W	1,630	125 lm/W	26W	3,260	125 lm/W	39W	4,890	125 lm/W	52W	6,520	125 lm/W	>0.9	
KT-LED12T8-36G-835-E	3500K	13W	1,680	129 lm/W	26W	3,360	129 lm/W	39W	5,040	129 lm/W	52W	6,720	129 lm/W	>0.9	
KT-LED12T8-36G-840-E	4000K	13W	1,730	133 lm/W	26W	3,460	133 lm/W	39W	5,190	133 lm/W	52W	6,920	133 lm/W	>0.9	
KT-LED12T8-36G-850-E	5000K	13W	1,780	137 lm/W	26W	3,560	137 lm/W	39W	5,340	137 lm/W	52W	7,120	137 lm/W	>0.9	

SPECTRAL DISTRIBUTION



RATED LIFE

L70 (Hours)	50,000
-------------	--------

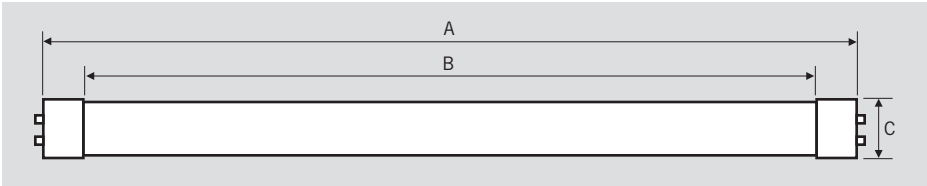
BEAM ANGLE: 240°

VISIBLE LIGHT AREA: 325°

Flux (W/nm)	
—	3000K, 3500K
—	4000K
—	5000K

KT-LED12T8-36G-8XX-E
T8 LED LAMP

PHYSICAL CHARACTERISTICS

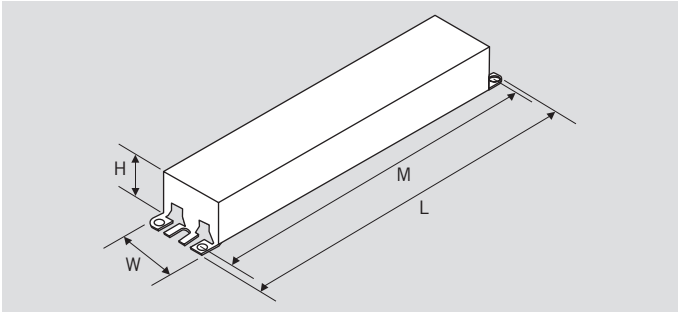


LAMP DIMENSIONS

A (Body Length)	35.19"
B (Illuminated Length)	32.36"
C (Diameter)	1.00"

NOMINAL LENGTH: 36"

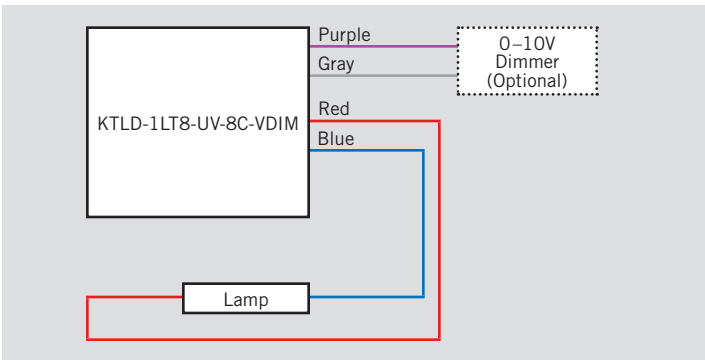
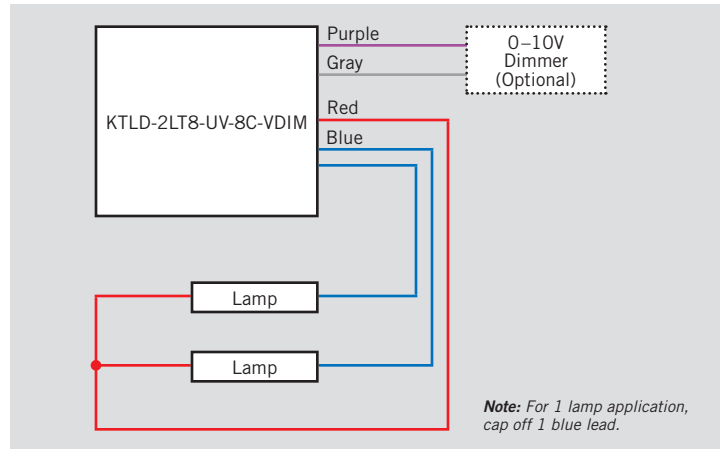
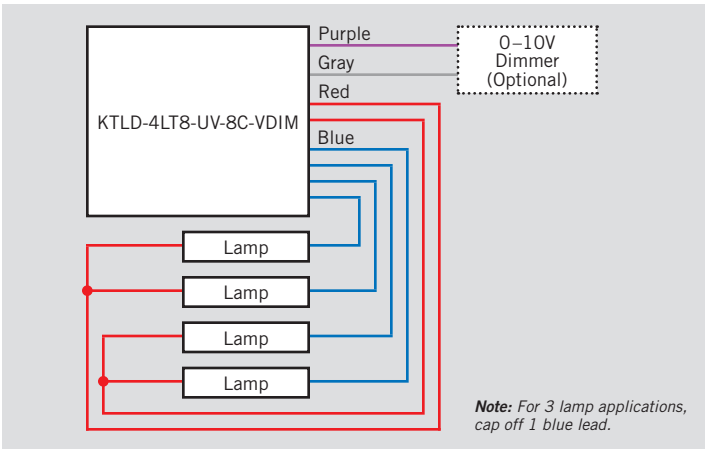
BASE TYPE: G13 (Medium Bi-Pin)



DRIVER DIMENSIONS

	KTLD-1LT8-UV-12C-VDIM	KTLD-2LT8-UV-12C-VDIM	KTLD-4LT8-UV-12C-VDIM
Length (L)	9.50"	9.50"	9.60"
Width (W)	1.30"	1.30"	1.80"
Height (H)	1.10"	1.10"	1.30"
Mounting (M)	8.90"	8.90"	8.90"

WIRING DIAGRAMS





KT-LED12T8-36G-8XX-E

T8 LED LAMP

ORDERING INFORMATION

ORDER CODE	PACKAGING STYLE	PACK QTY.	ITEM STATUS
KT-LED12T8-36G-8XX-E-CP	Carton Pack (Egg Crate Packaging)	25	Quick Ship

CATALOG NUMBER BREAKDOWN

KT-LED12T8-36G-8XX-E

1 2 3 4 5 6 7 8 9

- 1 Keystone Technologies
- 2 LED Lamp
- 3 Wattage
- 4 Lamp Type
- 5 Nominal Length (Inches)
- 6 Glass Construction
- 7 800 Series
- 8 Color Temperature
- 9 External Drive Series