



DIRECT DRIVE DX2

SINGLE- OR DOUBLE-ENDED LINE VOLTAGE LED TUBES

KT-LED12T8-36G-840-DX2 /USA

T8 LED LAMP

DESCRIPTION

12W T8 LED | 4000K | >83 CRI | High-Efficiency | Single- or Double-ended Wiring



LAMP TYPE: Linear
BULB TYPE: T8 LED
BASE TYPE: G13 (Medium Bi-Pin)
WATTAGE: 12W
COLOR TEMPERATURE: 4000K
COLOR RENDERING INDEX (CRI): >83
WARRANTY: 5 Years



PRODUCT FEATURES

- Made in USA. BAA/TAA Compliant
- Replacement for conventional fluorescent lamp
- Single- or double-ended wiring
- Frosted lens eliminates pixelation
- 50,000+ hour lifetime
- Instant startup
- Environmentally friendly: No mercury used
- Approximately 40% more energy efficient than standard F32T8 lamps
- Integral driver (isolated) eliminates the need for external driver or ballast
- 110+ lumens per watt
- Operating Temperature: -20°C/-4°F to 45°C/113°F
- UL Classified

OPERATING SPECIFICATIONS

ELECTRICAL CHARACTERISTICS

Input Voltage	Power Consumption	Power Factor	Input Current
120-277Vac	12W	>0.9	0.10A @ 120V 0.043A @ 277V

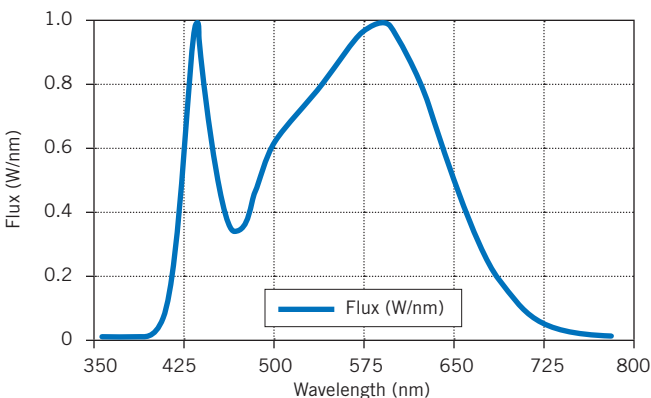
PHOTOMETRIC CHARACTERISTICS

Color Temperature (CCT)	4000K
Luminous Flux	1425 lm
Color Rendering Index (CRI)	>83
Efficacy	119 lm/W
Beam Angle	240°
Visible Light Area	325°

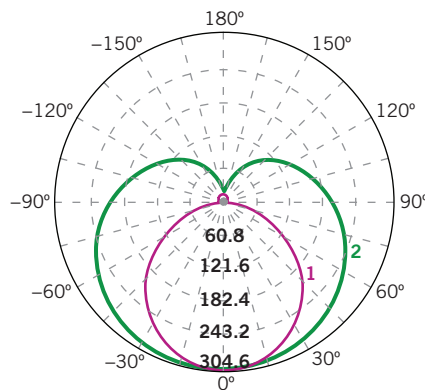
RATED LIFE

L70 (Hours)	50,000
-------------	--------

SPECTRAL DISTRIBUTION



POLAR CANDELA DISTRIBUTION



Maximum Candela = 1248.55
 Located at
 Horizontal Angle = 0
 Vertical Angle = 0

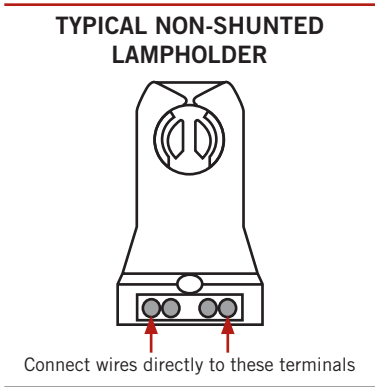
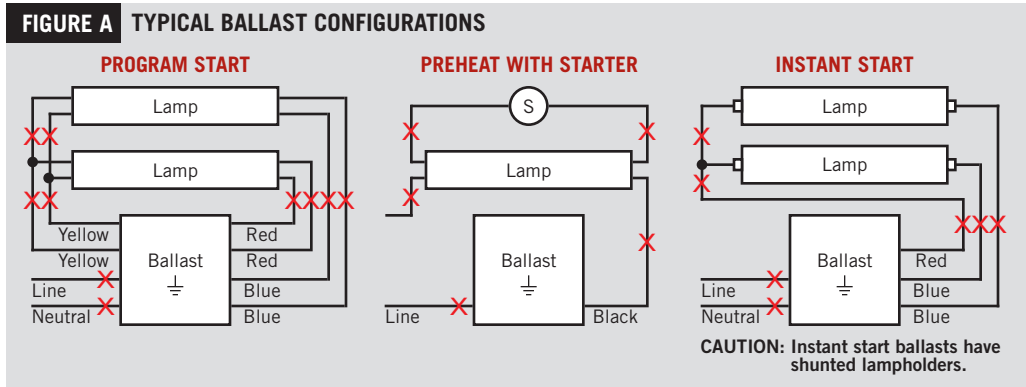
1 Violet Vertical plane through horizontal angles (90-270)
 2 Green Vertical plane through horizontal angles (0-180)



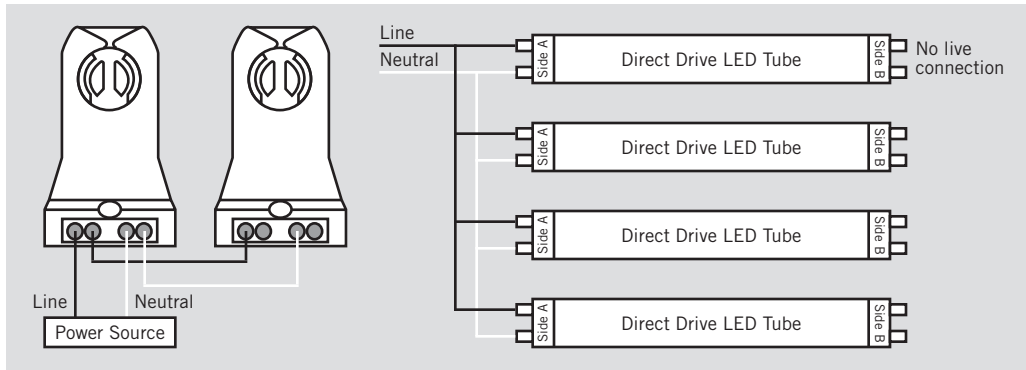
KT-LED12T8-36G-840-DX2 /USA T8 LED LAMP

SINGLE-ENDED WIRING DIAGRAM

1. Cut all existing connections to ballast as shown below and remove ballast. See *Figure A* for typical ballast configurations. **Note: Single-ended wiring requires non-shunted lampholders.**



2. Rewire fixture as shown below.



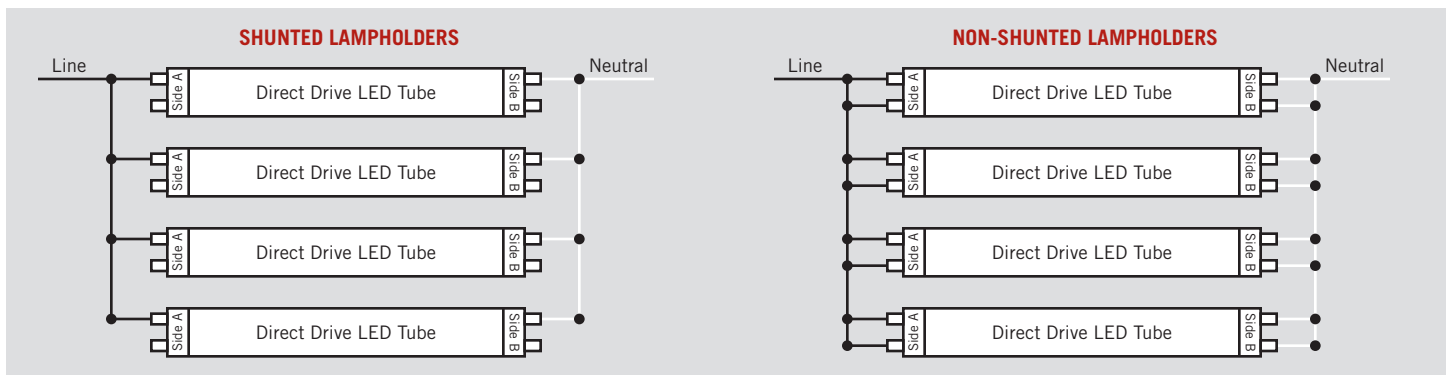
CAUTION: FOR SINGLE-ENDED WIRING USE ONLY NON-SHUNTED LAMPHOLDERS.

For Single-ended wiring, do not install product in a fixture with shunted lampholders (found in all fixtures using instant start ballasts). If the current lampholders are shunted, remove them and replace them with non-shunted lampholders. Make new connections directly to terminals as indicated above. Keystone can provide any style replacement lampholders. Call us at 800-464-2680.

DOUBLE-ENDED WIRING DIAGRAM

1. Cut all existing connections to ballast as shown below and remove ballast. See *Figure A* above for typical ballast configurations.
2. Re-wire fixture as shown below. For double-ended wiring, use either shunted or nonshunted lampholders.

NOTE: There should not be any exposed wires at the end of installation.

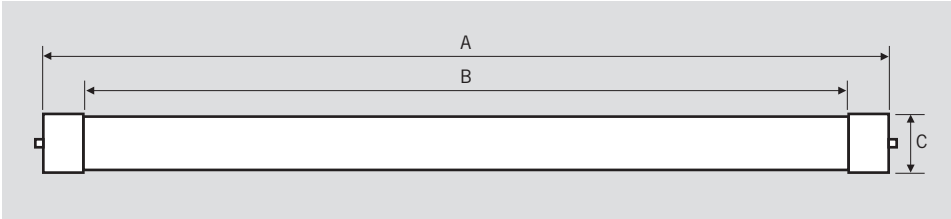




KT-LED12T8-36G-840-DX2 /USA

T8 LED LAMP

PHYSICAL CHARACTERISTICS



LAMP DIMENSIONS

A (Body Length)	35.41"
B (Illuminated Length)	31.81"
C (Diameter)	1.02"

NOMINAL LENGTH: 36"
BASE TYPE: G13 (Medium Bi-Pin)

ORDERING INFORMATION

ORDER CODE	PACK QTY.	EASY CODE	UPC
KT-LED12T8-36G-840-DX2 /USA	25	QRC-87	843654129372

CATALOG NUMBER BREAKDOWN

KT-LED12T8-36G-840-DX2 /USA

- 1
- 2
- 3
- 4
- 5
- 6
- 7
- 8
- 9
- 10

- 1 Keystone Technologies
- 2 LED Lamp
- 3 Wattage
- 4 Lamp Type
- 5 Nominal Length (Inches)
- 6 Glass Construction
- 7 800 Series
- 8 Color Temperature
- 9 Single- or Double-Ended Wiring
- 10 Made in the USA