



# KT-LED12T5HO-24GC-835-DX2

## T5 LED LAMP

### DESCRIPTION

12W T5 LED | 3500K | >83 CRI | High-Output | Single- or Double-Ended Wiring



<b>LAMP TYPE:</b> Linear
<b>BULB TYPE:</b> T5 LED
<b>BASE TYPE:</b> G5 (Miniature Bi-Pin)
<b>WATTAGE:</b> 12W
<b>COLOR TEMPERATURE:</b> 3500K
<b>COLOR RENDERING INDEX (CRI):</b> >83
<b>WARRANTY:</b> 5 Years



### PRODUCT FEATURES

- Replacement for conventional fluorescent lamp
- Single- or double-ended wiring
- 50,000+ hour lifetime
- Environmentally friendly: No mercury used
- Instant startup
- Direct replacement for F24T5/HO fluorescent lamp
- Frosted lens eliminates pixelation
- Integral driver (isolated) eliminates the need for external driver or ballast
- Improved lamp durability with shatterproof coated glass
- Operating temperature: -20°C/-4°F to 45°C/113°F
- 125 Lumens per Watt
- UL Classified
- ETL Sanitation listed NSF/ANSI Standard 2—Food Equipment

### OPERATING SPECIFICATIONS

#### ELECTRICAL CHARACTERISTICS

Input Voltage	Power Consumption	Power Factor	Input Current
120-277Vac	12W	>0.9	105mA @ 120V 45mA @ 277V

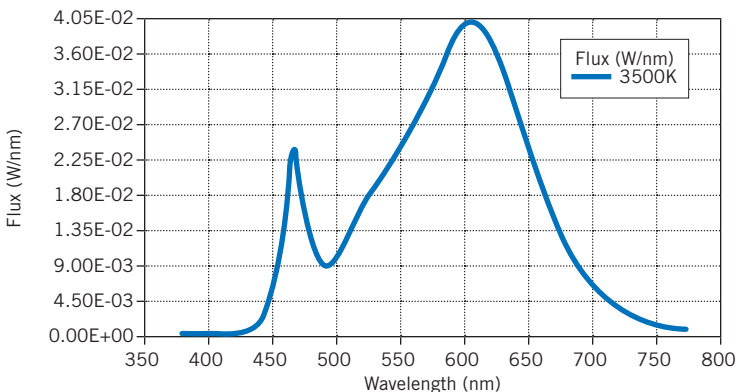
#### PHOTOMETRIC CHARACTERISTICS

Color Temperature (CCT)	3500K
Luminous Flux	1500 lm
Color Rendering Index (CRI)	>83
Efficacy	125 lm/W
Beam Angle	140°
Visible Light Area	280°

#### RATED LIFE

L70 (Hours)	50,000
-------------	--------

### SPECTRAL DISTRIBUTION

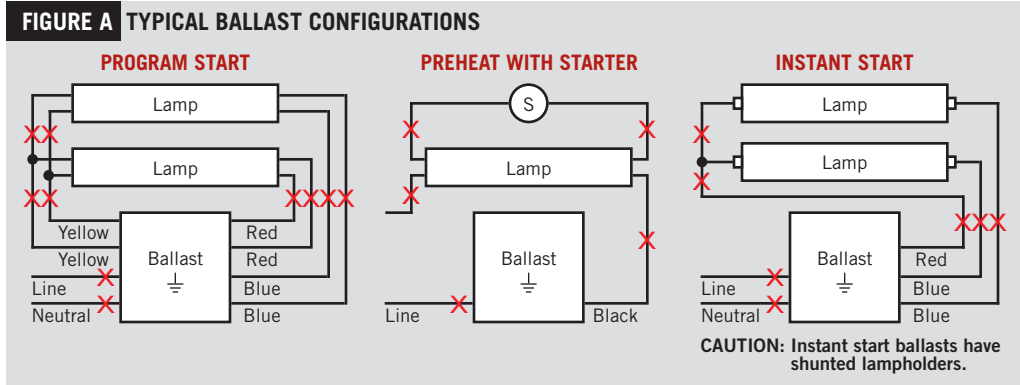




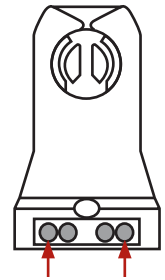
# KT-LED12T5HO-24GC-835-DX2 T5 LED LAMP

## SINGLE-ENDED WIRING DIAGRAM

1. Cut all existing connections to ballast as shown below and remove ballast. See *Figure A* for typical ballast configurations. **Note: Single-ended wiring requires non-shunted lampholders.**



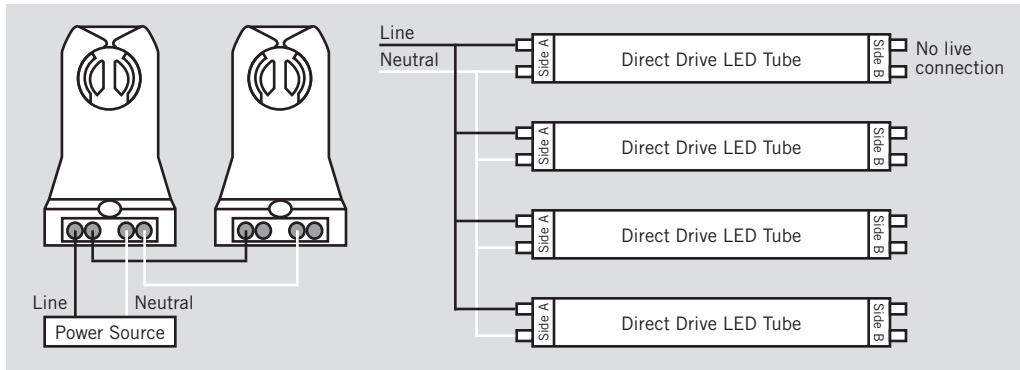
## TYPICAL NON-SHUNTED LAMPHOLDER



Connect wires directly to these terminals

**CAUTION: FOR SINGLE-ENDED WIRING USE ONLY NON-SHUNTED LAMP HOLDERS.**

2. Rewire fixture as shown below.

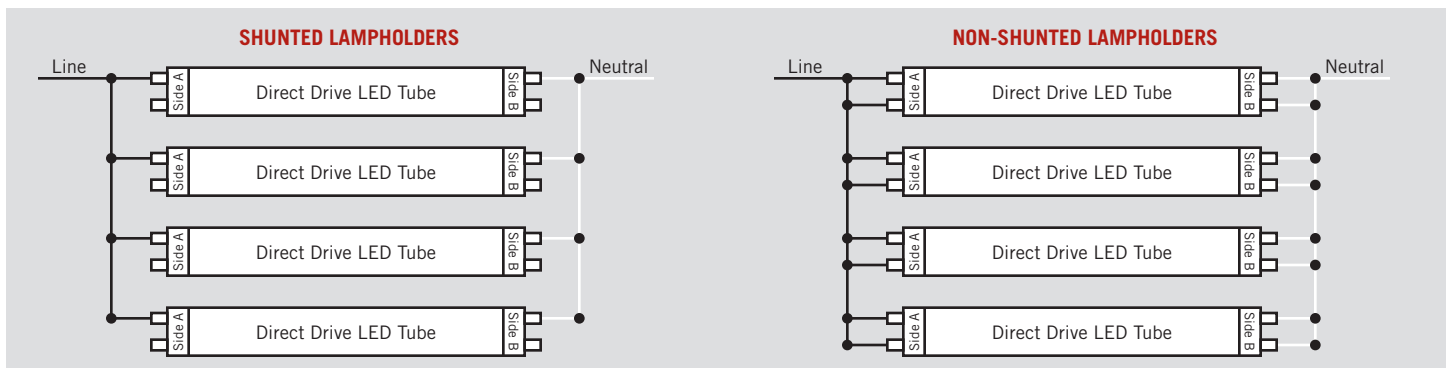


For Single-ended wiring, do not install product in a fixture with shunted lampholders (found in all fixtures using instant start ballasts). If the current lampholders are shunted, remove them and replace them with non-shunted lampholders. Make new connections directly to terminals as indicated above. Keystone can provide any style replacement lampholders. Call us at 800-464-2680.

## DOUBLE-ENDED WIRING DIAGRAM

1. Cut all existing connections to ballast as shown below and remove ballast. See *Figure A* above for typical ballast configurations.  
2. Re-wire fixture as shown below. For double-ended wiring, use either shunted or nonshunted lampholders.

**NOTE: There should not be any exposed wires at the end of installation.**

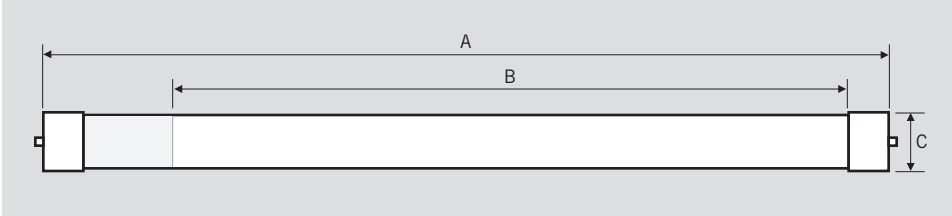




# KT-LED12T5HO-24GC-835-DX2

## T5 LED LAMP

**PHYSICAL CHARACTERISTICS**



**LAMP DIMENSIONS**

A (Body Length)	21.56"
B (Illuminated Length)	17.63"
C (Diameter)*	0.82"

**NOMINAL LENGTH:** 24"

**BASE TYPE:** G5 (Miniature Bi-Pin)

*\*Though nominally referred to as a T5, this lamp has a T6 diameter.*

**ORDERING INFORMATION**

ORDER CODE	CARTON QUANTITY	EASY CODE	UPC
KT-LED12T5HO-24GC-835-DX2	25 pcs	UXY-42	843654130521

**CATALOG NUMBER BREAKDOWN**

# KT-LED12T5HO-24GC-835-DX2

- 1
- 2
- 3
- 4
- 5
- 6
- 7
- 8
- 9

- 1 Keystone Technologies
- 2 LED Lamp
- 3 Wattage
- 4 Lamp Type
- 5 Nominal Length (Inches)
- 6 Shatter-Proof Coated Glass
- 7 800 Series
- 8 Color Temperature
- 9 Single- or Double-Ended Wiring