



KT-LED11RD-6C-9CSF-DIM-G

5" / 6" DOWNLIGHT RETROFIT GIMBAL TRIM

DESCRIPTION

5" / 6" Downlight Retrofit Gimbal Trim | Color Select Technology | Quick-Disconnect E26 Base

APPLICATION

Ideal for residential, hospitality, retail, and other retrofit and new construction applications



PRODUCT FEATURES

- Keystone Color Select technology offers SKU reduction and allows for easy, on-the-job adjustments: 2700K, 3000K, 3500K, 4000K, 5000K
- Includes quick-disconnect E26 base adaptor for easy install in retrofit applications
- Offers improved aesthetics vs. screw-in lamps while using the same easy, screw-in installation
- Ideal for retrofit, new construction, and remodel applications
- Suitable for a wide range of existing recessed can fixtures
- Smooth reflector trim offers clean, modern appearance
- Diffused lens reduces glare
- Gimbal construction features up to 30° vertical tilt, 350° horizontal rotation
- Powered by Keystone TRIAC dimming LED driver; 10–100% dimming
- Ambient operating temperature: –20°C/–4°F to 40°C/104°F
- Suitable for use in wet locations
- Power factor: >0.90
- THD: <20%
- FCC Part 15, Subpart B, Class B
- CEC Compliant Flicker Rate (CEC JA10 std.)

PERFORMANCE SPECIFICATIONS

| Catalog Number | Input Voltage | Wattage | CCT (Selectable)* | Lumen Output | Efficacy | CRI | Power Factor | Beam Angle | Lifetime |
|--------------------------|---------------|---------|-------------------|--------------|----------|-----|--------------|------------|------------|
| KT-LED11RD-6C-9CSF-DIM-G | 120V | 11W | 2700K | 1120 | 102 lm/W | >90 | >0.9 | 95° | 50,000 hrs |
| | | | 3000K | 1140 | 104 lm/W | | | | |
| | | | 3500K | 1160 | 105 lm/W | | | | |
| | | | 4000K | 1160 | 105 lm/W | | | | |
| | | | 5000K | 1140 | 104 lm/W | | | | |

* Preset to lowest CCT: 2700K
 Color Uniformity: CCT (Correlated Color Temperature) range as per guidelines outlined in ANSI C78.377-2017

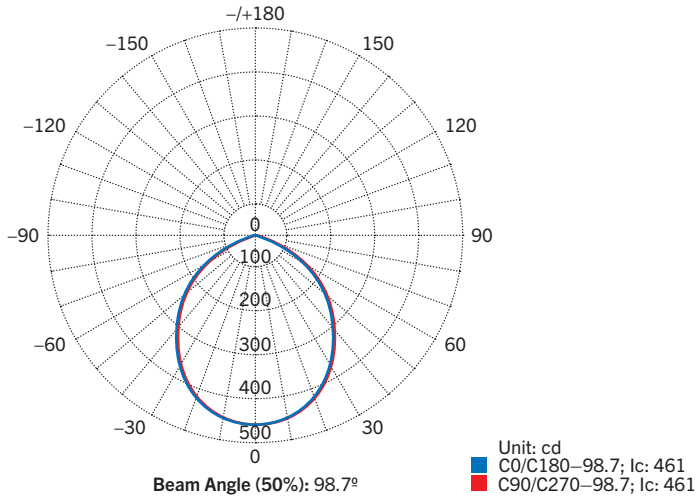


KT-LED11RD-6C-9CSF-DIM-G

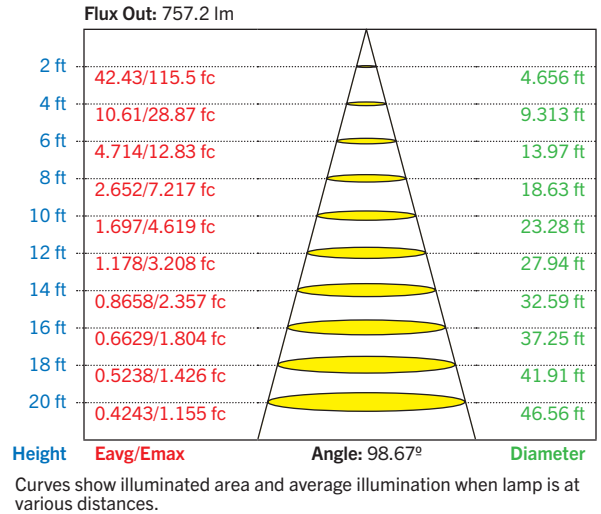
5" / 6" DOWNLIGHT RETROFIT GIMBAL TRIM

PHOTOMETRIC SPECIFICATIONS

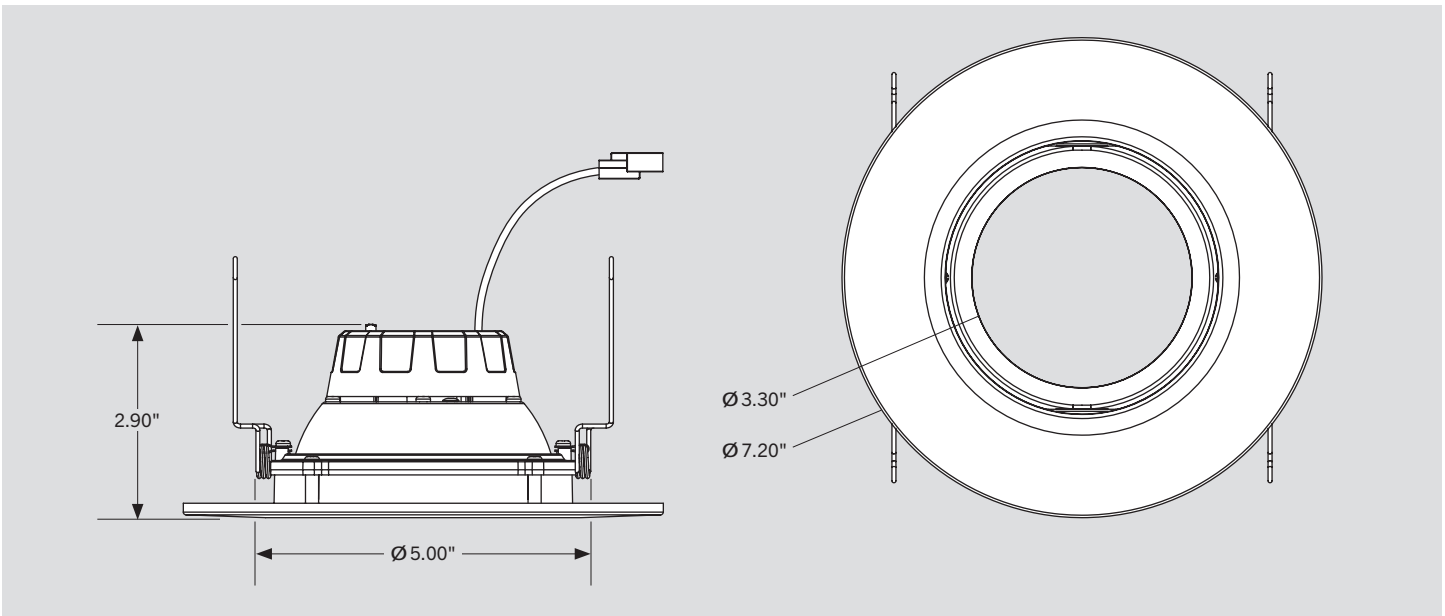
POLAR CANDELA DISTRIBUTION



LUX DISTANCE CURVE



PHYSICAL SPECIFICATIONS





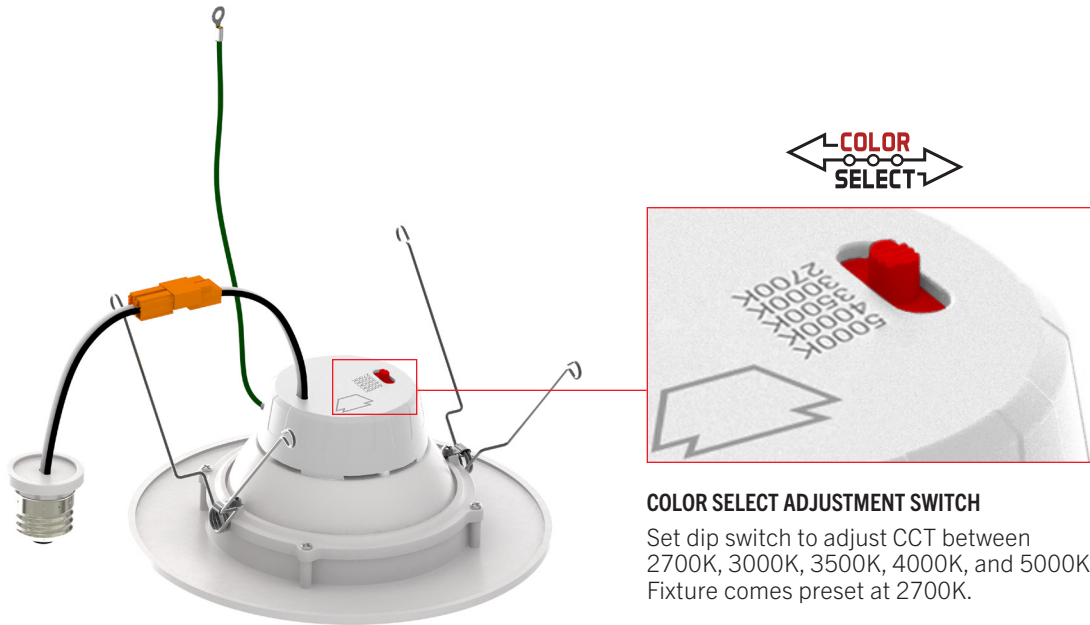
KT-LED11RD-6C-9CSF-DIM-G

5" / 6" DOWNLIGHT RETROFIT GIMBAL TRIM

COLOR SELECT (CCT) ADJUSTMENT

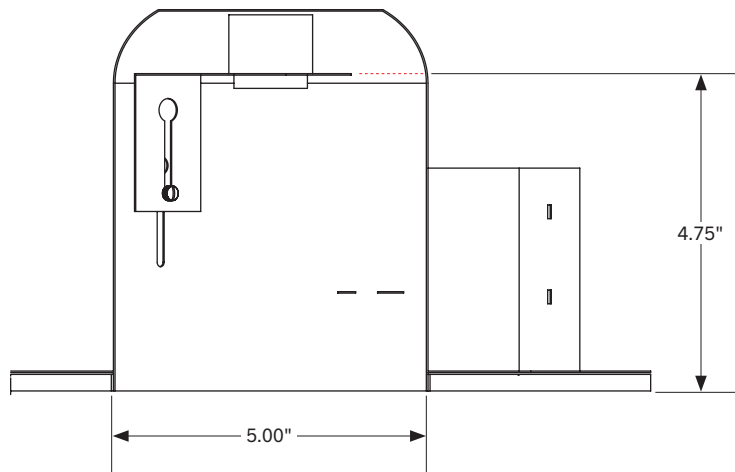
This fixture is equipped with field-adjustable Keystone Color Select technology.

1. Ensure power is off to the fixture.
2. Adjust dip switch to desired setting.



INSTALLATION INSTRUCTIONS

The existing luminaire housing must be equal to or larger than over-all inner dimensions illustrated below.



(Installation Instructions continued on next page)



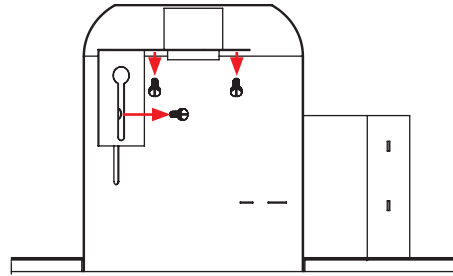
KT-LED11RD-6C-9CSF-DIM-G 5" / 6" DOWNLIGHT RETROFIT GIMBAL TRIM

INSTALLATION INSTRUCTIONS (continued)

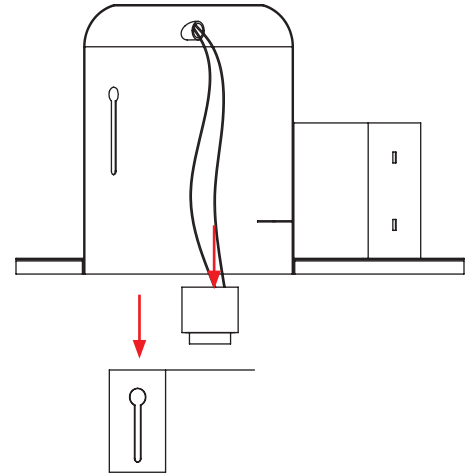
- 1. Shut off power at the source of the recessed housing into which you are installing fixture.** Remove existing trim and CFL or incandescent bulb.

Note: Follow all federal and local regulations when disposing of lamps and removed components.

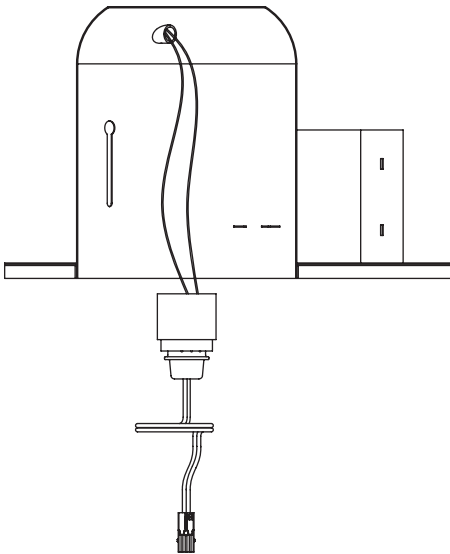
- 2. Unscrew the screws on socket bracket; push bracket upward to the top.**



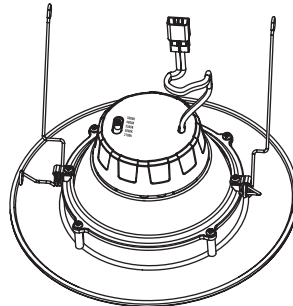
- 3. Remove existing socket mounting plate from the housing, then remove lamp socket from the plate.**



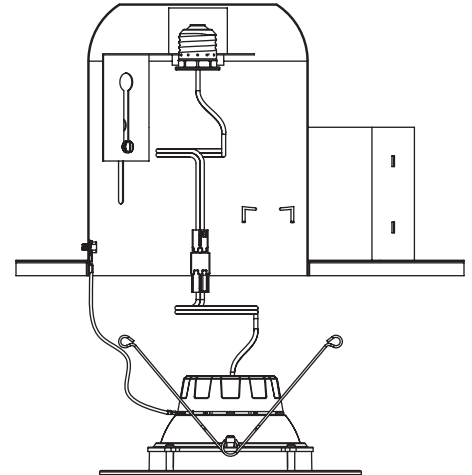
- 4. Screw E26 adaptor into the socket.**



- 5. Select desired CCT using adjustment switch on driver box (see *Color Select (CCT) Adjustment* on page 3).**



- 6. Plug E26 base cable connection into the recessed housing, ensuring that kit is grounded.**



(Installation Instructions continued on next page)

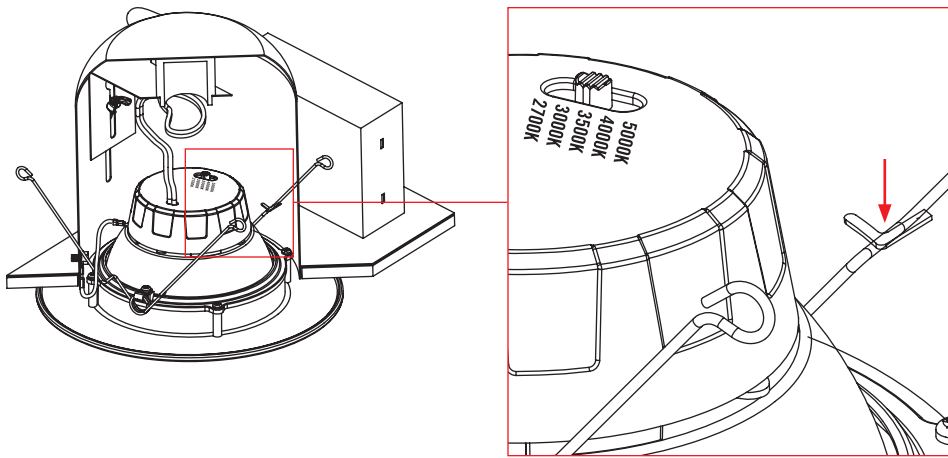


KT-LED11RD-6C-9CSF-DIM-G

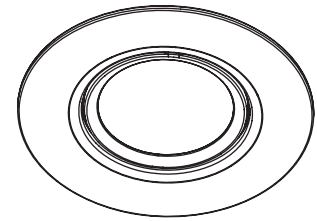
5" / 6" DOWNLIGHT RETROFIT GIMBAL TRIM

INSTALLATION INSTRUCTIONS (continued)

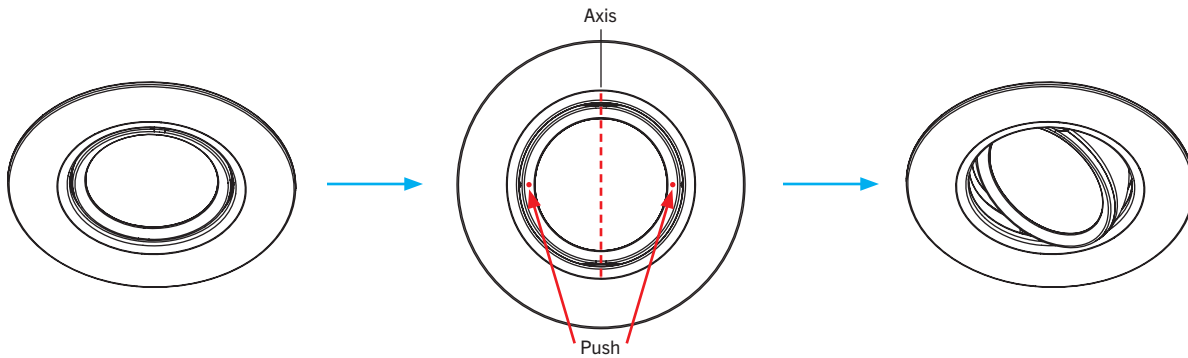
7. Squeeze torsion springs together as shown and install into torsion spring brackets inside recessed housing. For proper installation, the torsion springs should be seated within the brackets and on both sides of the housing.



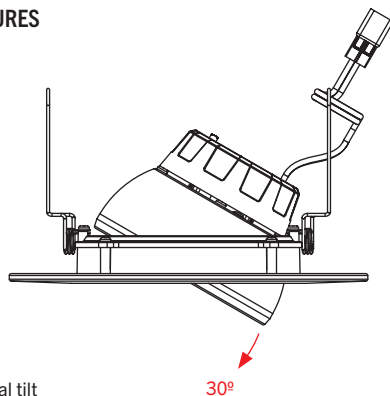
8. Carefully route wires into fixture and push recessed kit up flush to ceiling surface.



9. Push the edge of the bezel to tilt lens vertically and rotate lens assembly horizontally towards the surface to be illuminated.

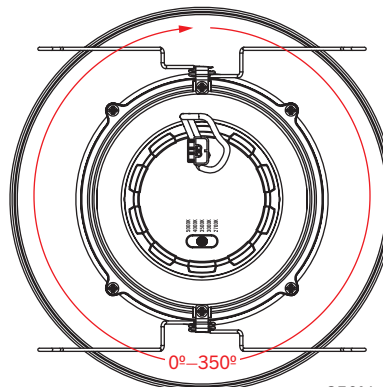


GIMBAL FEATURES



Up to 30° vertical tilt

30°



350° horizontal rotation



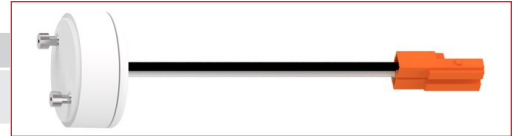
KT-LED11RD-6C-9CSF-DIM-G

5" / 6" DOWNLIGHT RETROFIT GIMBAL TRIM

OPTIONAL ACCESSORIES (sold separately)

GU24 ADAPTOR

| Catalog Number | Description | UPC | Easy Code |
|-----------------|---|--------------|-----------|
| KT-ADPT-RD-GU24 | GU24 Adaptor for downlight retrofit gimbal trim | 843654137568 | WTQ-04 |



TORSION-SPRING ADAPTOR

| Catalog Number | Description | UPC | Easy Code |
|------------------|---|--------------|-----------|
| KT-ADPT-RD-6C-TS | Torsion-spring adaptor for 5" / 6" downlight retrofit gimbal trim | 843654137667 | GGR-44 |



ORDERING INFORMATION

| Catalog Number | Pack Qty. | UPC | Easy Code |
|--------------------------|-----------|--------------|-----------|
| KT-LED11RD-6C-9CSF-DIM-G | 1 | 843654137483 | PLO-50 |

CATALOG NUMBER BREAKDOWN

KT-LED11RD-6C-9CSF-DIM-G

1 2 3 4 5 6 7 8 9 10 11

- 1 Keystone Technologies
- 2 LED Technology
- 3 Wattage
- 4 Fixture Type
- 5 Nominal Size
- 6 Shape
- 7 CRI
- 8 Special Indicator
- 9 Color Select Designation
- 10 Dimming
- 11 Gimbal Construction

4 Fixture Type

RD Recessed Downlight

5 Nominal Size

6 5" / 6" Nominal

6 Shape

C Circular

7 CRI

9 90

8 Special Indicator

CS Color Select Technology

9 Color Select Designation

F 2700K, 3000K, 3500K, 4000K, 5000K

10 Dimming

DIM TRIAC Dimmable