

# KT-LED10DL-4CA-830-DIM-CS

## 4" CONTRACTOR PRIME SURFACE MOUNT DISK LIGHT

**DESCRIPTION**

4" Circular LED Residential Retrofit Disk Light

**APPLICATION**

Ideal for residential, hospitality, retail, and other retrofit and new construction applications

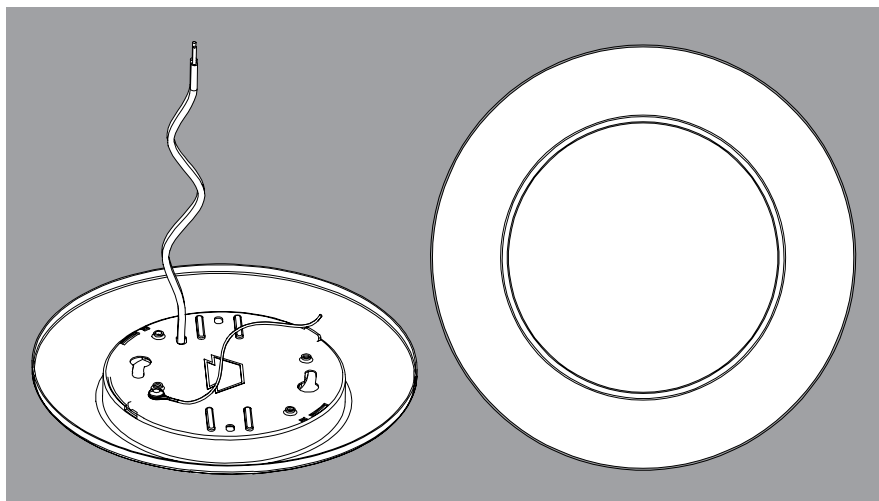


**PRODUCT FEATURES**

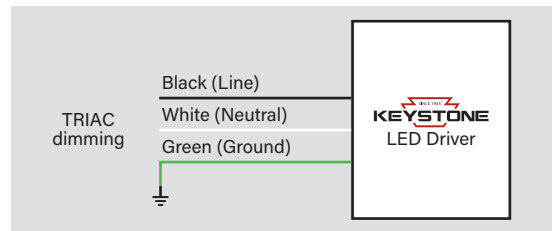
- Ideal for retrofit, new construction, and remodel applications
- Flush-mount offers clean, modern appearance
- Diffused lens reduces glare
- Powered by Keystone TRIAC dimming LED driver; 10–100% dimming
- Ambient operating temperature: -25°C/-13°F to 40°C/104°F
- Suitable for use in wet locations
- Power factor: > 0.70
- FCC Part 15, Subpart B, Class B

**PERFORMANCE SPECIFICATIONS**

Catalog Number	Input Voltage	Wattage	CCT	Lumen Output	Efficacy	CRI	Beam Angle	Lifetime
KT-LED10DL-4CA-830-DIM-CS	120V	10W	3000K	750	75 lm/W	>80	110°	11,000 hrs



**GENERAL WIRING DIAGRAM**

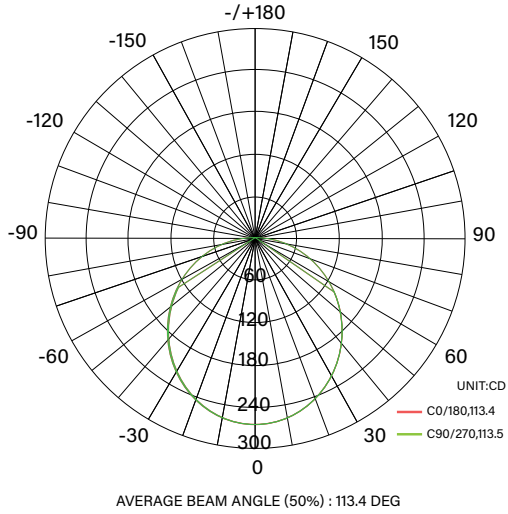


# KT-LED10DL-4CA-830-DIM-CS

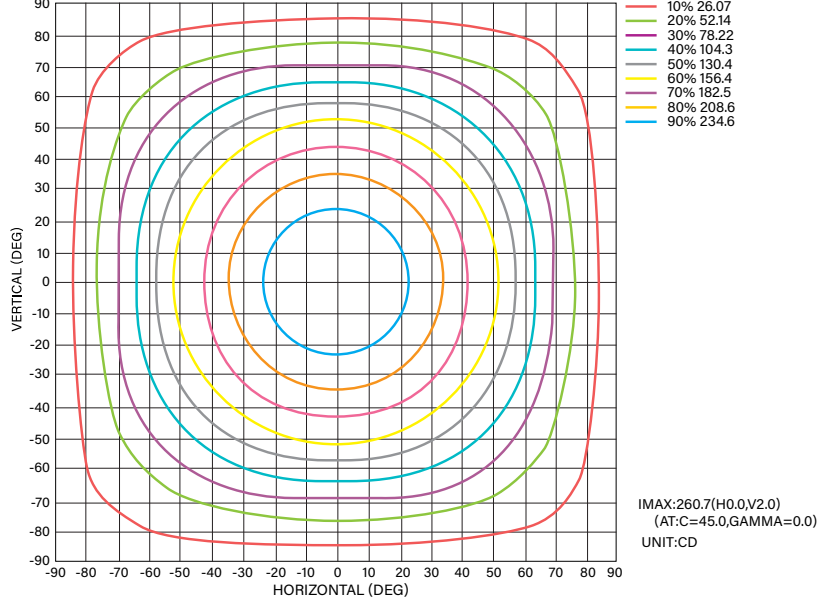
## 4" CONTRACTOR SERIES SURFACE MOUNT DISK LIGHT

**PHOTOMETRIC SPECIFICATIONS**

LUMINOUS INTENSITY DISTRIBUTION DIAGRAM

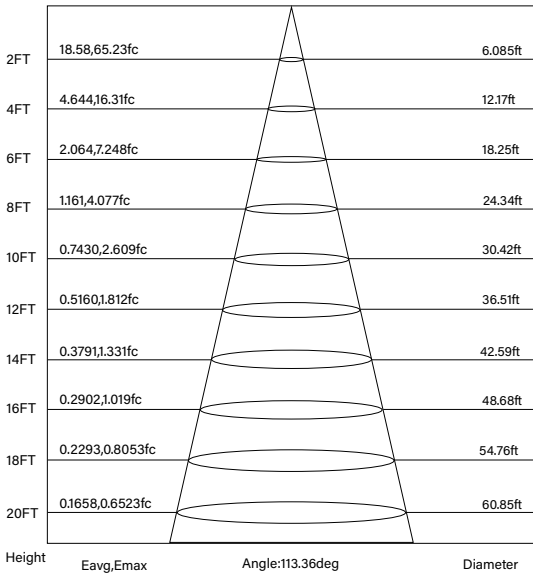


IsoLux Plots

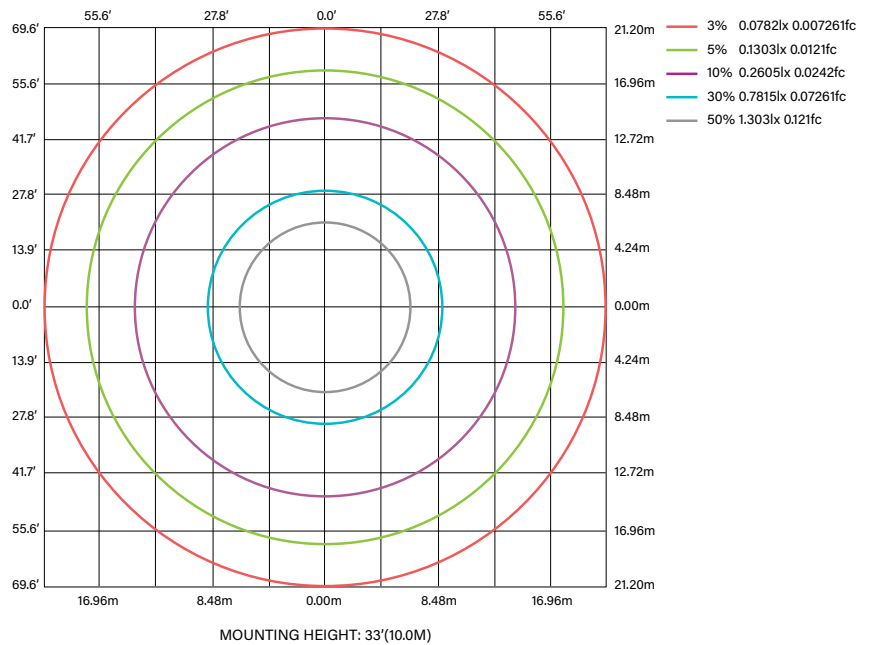


AVERAGE ILLUMINANCE EFFECTIVE FIGURE

Flux out:553.5 lm

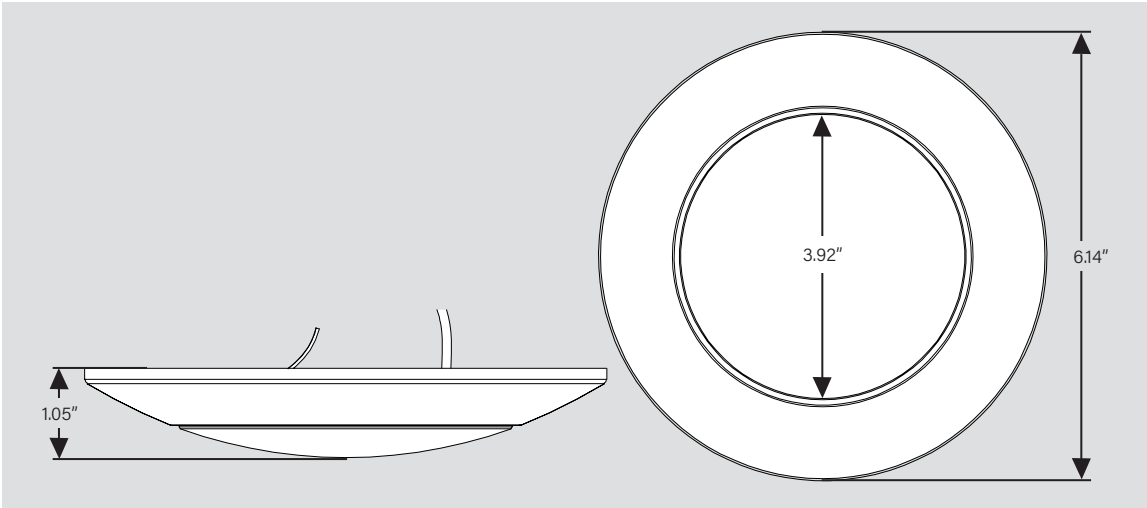


Note: The Curves indicate the illuminated area and the average illumination when the luminaire is at different distance.



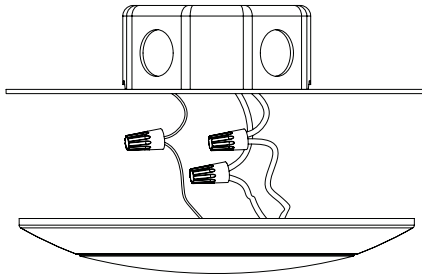
**KT-LED10DL-4CA-830-DIM-CS**  
4" CONTRACTOR SERIES SURFACE MOUNT DISK LIGHT

**PHYSICAL SPECIFICATIONS**



**INSTALLATION INSTRUCTIONS**

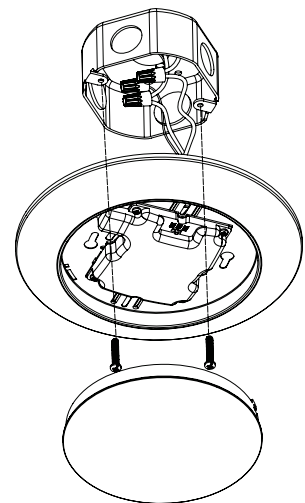
1. Connect the luminaire to supply wires with the wire nuts (included).



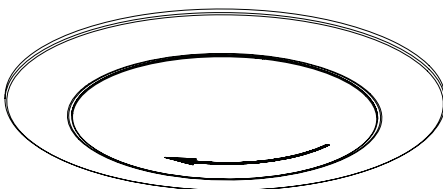
2. Remove lens by turning counter clockwise to unlock.



3. Safely place all wires into the junction box, mount luminaire to the junction box and screws through the keyhole slots. 4" luminaires are compatible with 2.75" junction boxes.



4. Replace lens and twist clockwise to lock.





# KT-LED10DL-4CA-830-DIM-CS

## 4" CONTRACTOR SERIES SURFACE MOUNT DISK LIGHT

**ORDERING INFORMATION**

Catalog Number	UPC	Easy Code
KT-LED10DL-4CA-830-DIM-CS	843654156897	RVB-56

**CATALOG NUMBER BREAKDOWN**

# KT-LED10DL-4CA-830-DIM-CS

- 1
- 2
- 3
- 4
- 5
- 6
- 7
- 8
- 9
- 10
- 11

- 1 Keystone Technologies**
- 2 LED Technology**
- 3 Wattage**
- 4 Fixture Type**
  - DL
  - Disk Light
- 5 Nominal Size**
  - 4
  - 4" Nominal
- 6 Shape**
  - C
  - Circular
- 7 Designation**
  - A
  - Series A Design
- 10 Dimming**
  - DIM
  - TRIAC Dimmable
- 8 80 CRI**
- 9 CCT**
- 10 Dimming**
- 11 Contractor Series**