

KT-FLED25PS-C1E-UNV-8CSB-VDIM

BULLET FLOODLIGHT

DESCRIPTION

LED Bullet Flood Light with Photocell | Power Select 25/20/15W | Color Select 3000/4000/5000K | 120-277V Input | Bronze Housing



APPLICATION

Perfect in both residential and commercial applications, such as landscape, facade, accent, and flagpole lighting



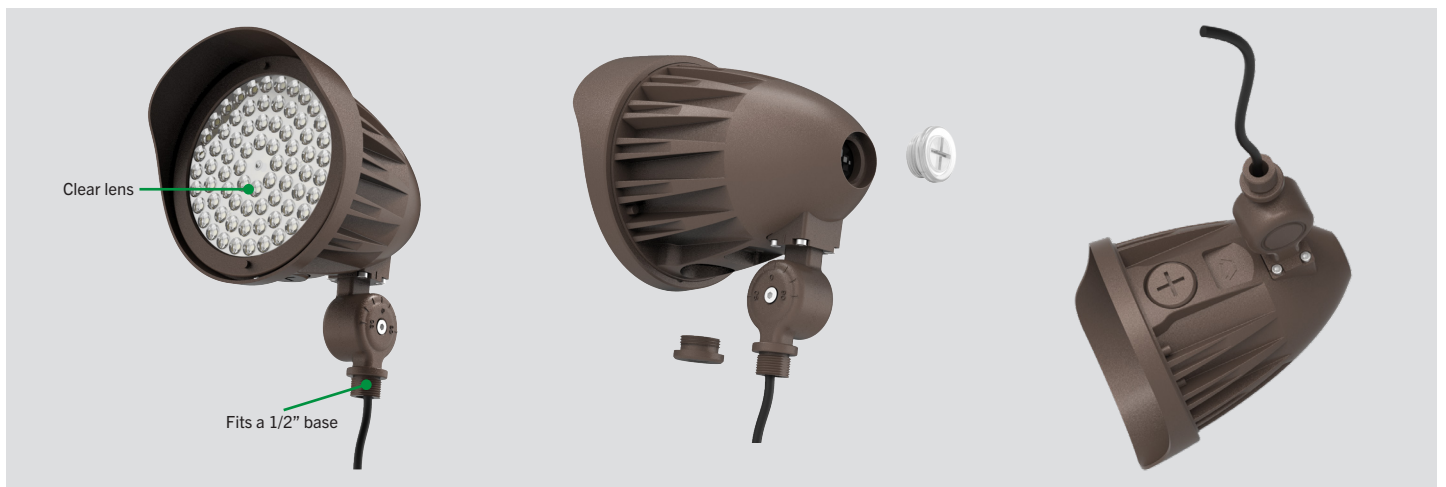
PRODUCT FEATURES

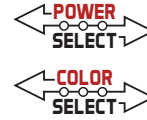
- Keystone Power Select technology (25/20/15W)
- Keystone Color Select technology (3000/4000/5000K)
- Sturdy, die cast aluminum housing in a sleek, modern design
- NEMA 4H x 4V optics pre installed, with optional NEMA 3H x 3V optics included in box
- IP65 design includes twist on/off lens cap for easy field changeable optics (see instructions for details)
- UL and DLC 5.1 listed
- NEMA 3H x 3V optics included in box
- L70 > 50,000 hours @ 45°C/113°F
- Ambient operating temperature: 40°C/-40°F to 45°C/113°F
- UL certified, DLC listed

PRODUCT SPECIFICATIONS

Catalog Number	Selectable Wattage	Selectable CCT	Lumens	Efficacy	Input Voltage	CRI	Housing Color	Rated Life
KT-FLED25PS-C1E-UNV-8CSB-VDIM	25W	3000K	2971	119 lm/W	120-277V	80	Bronze	50,000 hrs
		4000K	3292	132 lm/W				
		5000K	3273	131 lm/W				
	20W	3000K	2398	120 lm/W				
		4000K	2609	130 lm/W				
		5000K	2580	129 lm/W				
	15W	3000K	1862	124 lm/W				
		4000K	1998	133 lm/W				
		5000K	1986	132 lm/W				

IMAGES

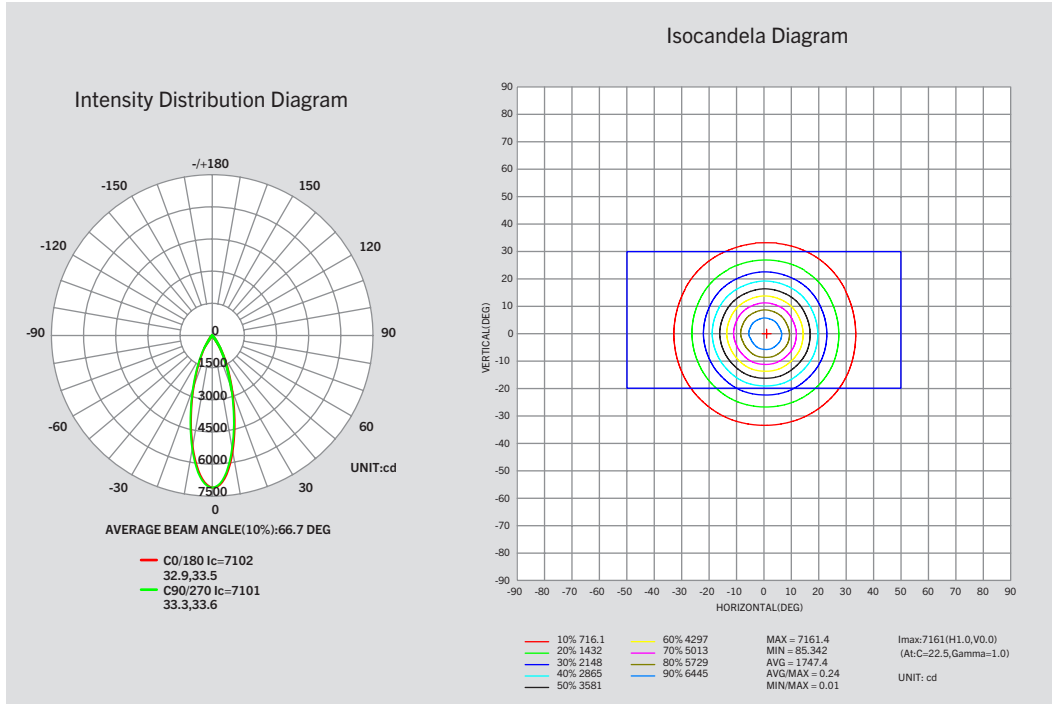




KT-FLED25PS-C1E-UNV-8CSB-VDIM

BULLET FLOODLIGHT

PHOTOMETRICS FOR 4H X 4V LENS AT 25W



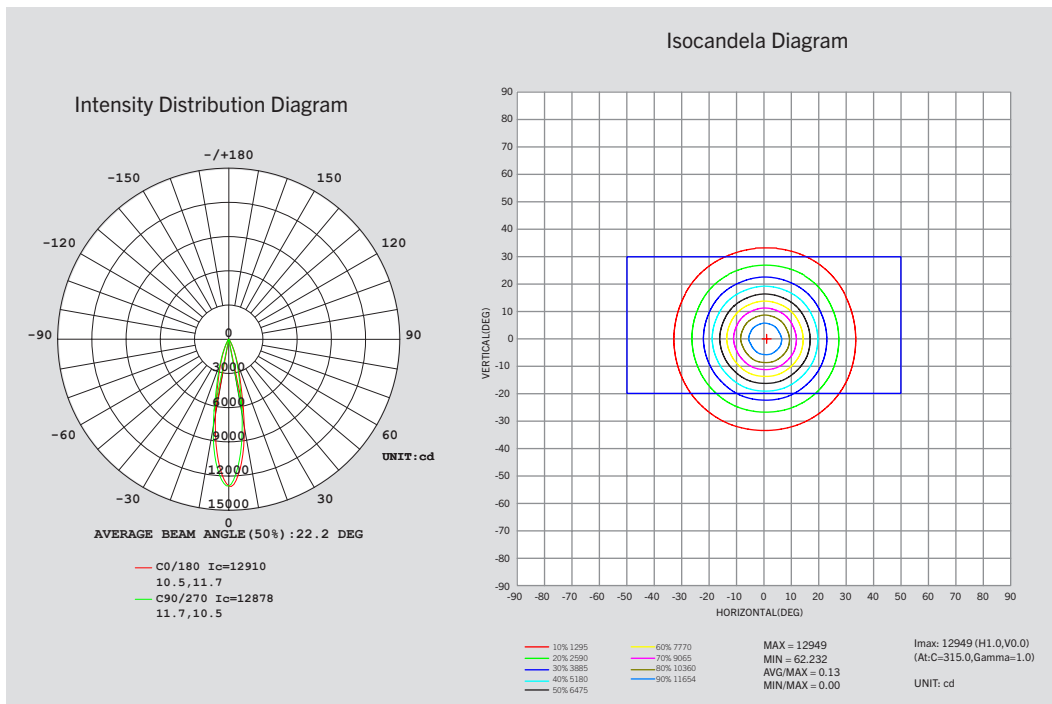
FLUX DISTRIBUTION

Zone	Lumens	% Luminaire
Forward Light	1,638 lm	50.0%
0°-30°	1,241 lm	37.9%
30°-60°	331.76 lm	10.1%
60°-80°	39.975 lm	1.2%
80°-90°	2.9898 lm	0.1%
Back Light	1,635.1 lm	50.0%
0°-30°	1,234 lm	37.7%
30°-60°	323.16 lm	9.9%
60°-80°	50.183 lm	1.5%
80°-90°	4.3756 lm	0.1%
Up Light	45.556 lm	1.4%
90°-100°	1.1682 lm	0.0%
100°-180°	44.388 lm	1.4%

BUG* Rating	
Asymmetrical Luminaire Types	
Type I, II, III, IV	B2 U0 G2
Quadrilateral Symmetrical Luminaire Types	
Type V, Area Light	B2 U0 G2

* BACKLIGHT, UPLIGHT, GLARE

PHOTOMETRICS FOR 3H X 3V LENS AT 25W

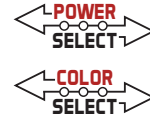


FLUX DISTRIBUTION

Zone	Lumens	% Luminaire
Forward Light	1438.4 lm	48.6%
0°-30°	1,253.6 lm	42.3%
30°-60°	151 lm	5.1%
60°-80°	24.587 lm	0.8%
80°-90°	1.2585 lm	0.0%
Back Light	1522.1 lm	51.4%
0°-30°	1,295 lm	43.7%
30°-60°	155.25 lm	5.2%
60°-80°	55.221 lm	1.9%
80°-90°	8.1574 lm	0.3%
Up Light	16.332 lm	0.6%
90°-100°	0.38046 lm	0.0%
100°-180°	15.952 lm	0.5%

BUG* Rating	
Asymmetrical Luminaire Types	
Type I, II, III, IV	B3-U2-G0
Quadrilateral Symmetrical Luminaire Types	
Type V, Area Light	B3-U2-G0

* BACKLIGHT, UPLIGHT, GLARE

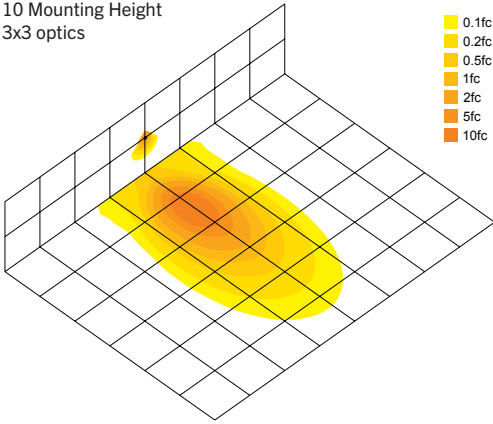


KT-FLED25PS-C1E-UNV-8CSB-VDIM-W

BULLET FLOOD LIGHT

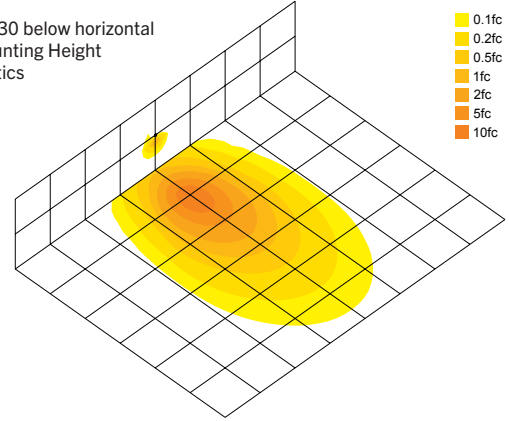
LIGHT DISTRIBUTION PATTERN

Aimed 30° below horizontal
10' Mounting Height
3x3 optics



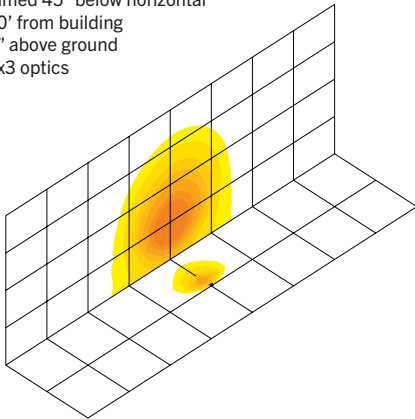
- 0.1fc
- 0.2fc
- 0.5fc
- 1fc
- 2fc
- 5fc
- 10fc

Aimed 30° below horizontal
10' Mounting Height
4x4 optics



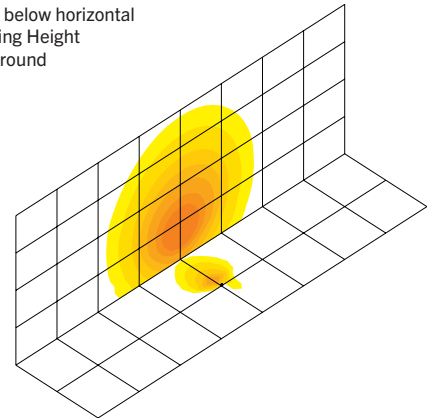
- 0.1fc
- 0.2fc
- 0.5fc
- 1fc
- 2fc
- 5fc
- 10fc

Aimed 45° below horizontal
10' from building
6" above ground
3x3 optics



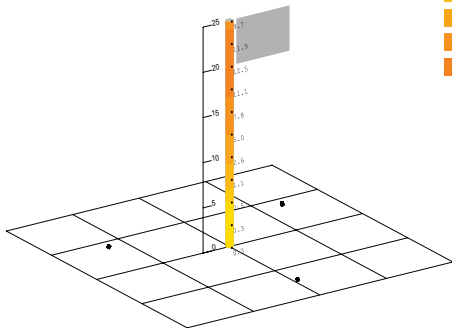
- 0.1fc
- 0.2fc
- 0.5fc
- 1fc
- 2fc
- 5fc
- 10fc

Aimed 45° below horizontal
10' Mounting Height
6" above ground
4x4 optics



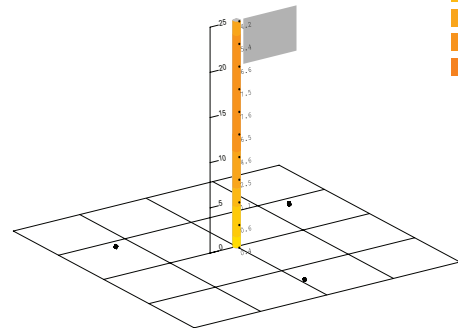
- 0.1fc
- 0.2fc
- 0.5fc
- 1fc
- 2fc
- 5fc
- 10fc

Aimed 60° below horizontal
15' from building
6" above ground
3x3 optics



- 0.1fc
- 0.2fc
- 0.5fc
- 1fc
- 2fc
- 5fc
- 10fc

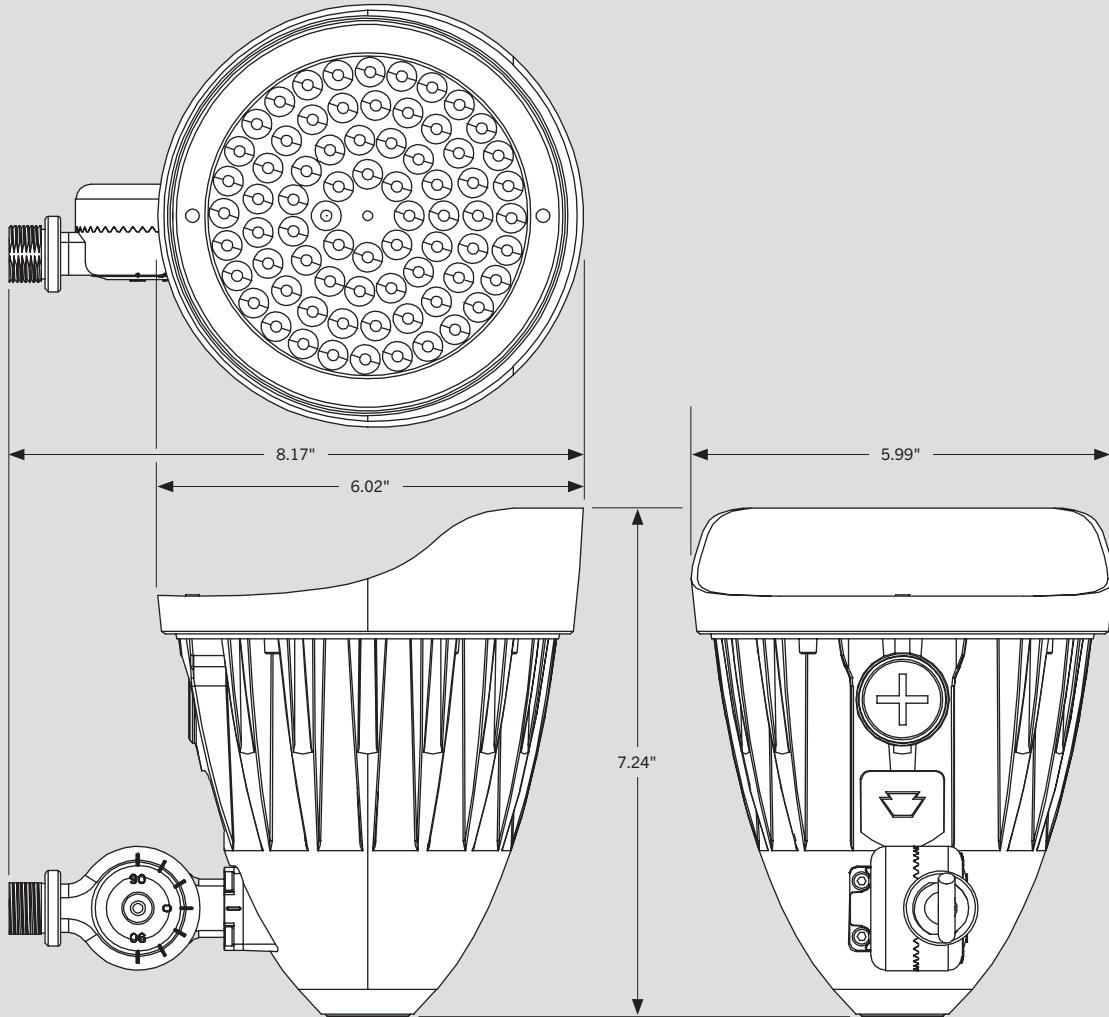
Aimed 60° below horizontal
15 from building
6" above ground
4x4 optics

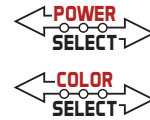


- 0.1fc
- 0.2fc
- 0.5fc
- 1fc
- 2fc
- 5fc
- 10fc

KT-FLED25PS-C1E-UNV-8CSB-VDIM
BULLET FLOODLIGHT

PHYSICAL SPECIFICATIONS





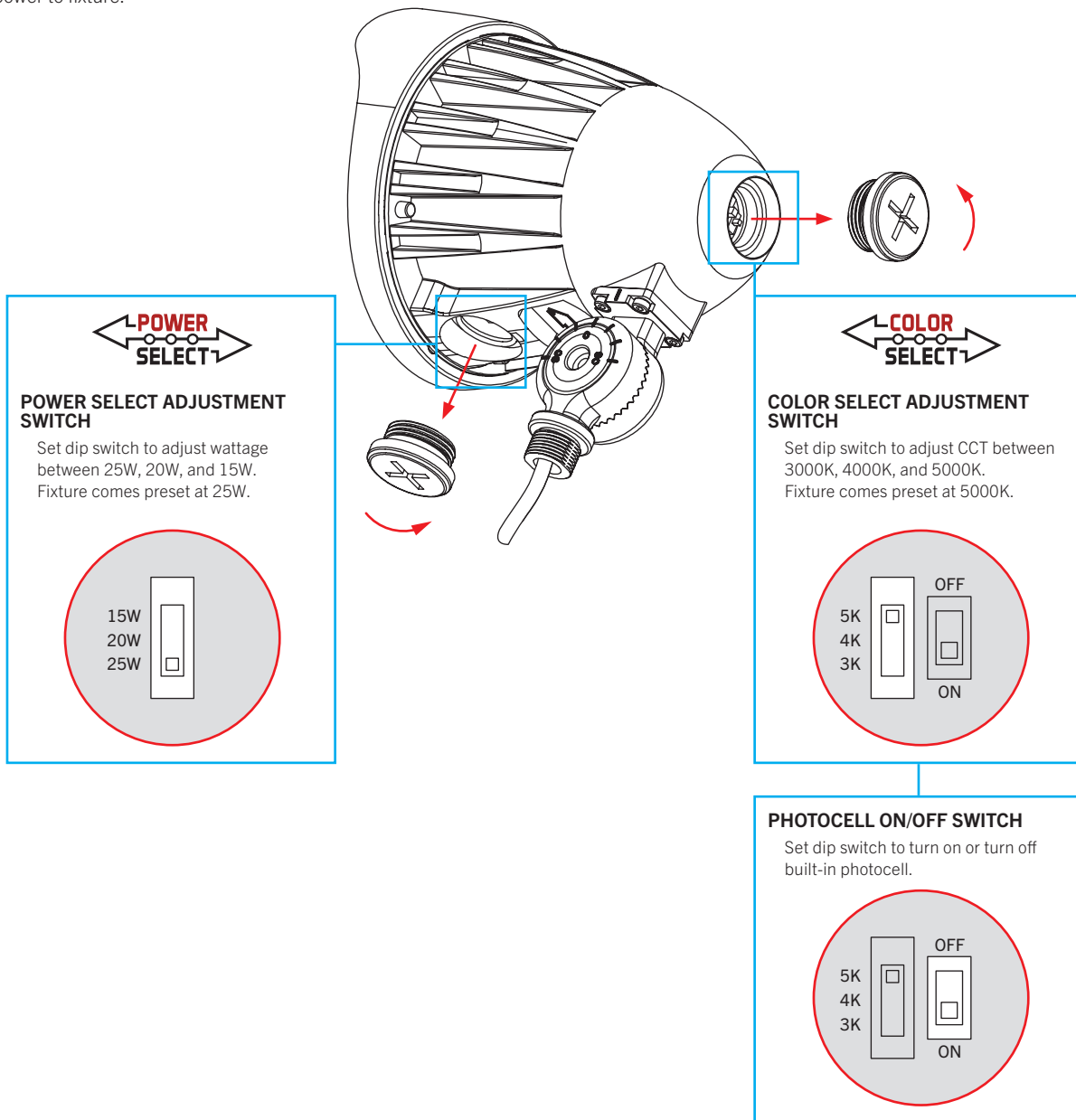
KT-FLED25PS-C1E-UNV-8CSB-VDIM

BULLET FLOOD LIGHT

POWER SELECT (WATTAGE) AND COLOR SELECT (CCT) ADJUSTMENT

This fixture is equipped with field-adjustable Keystone Power Select and Color Select technology.

1. Ensure power is off to the fixture.
2. Remove knockouts.
3. Adjust dip switches to desired settings.
4. Replace knockouts.
5. Restore power to fixture.

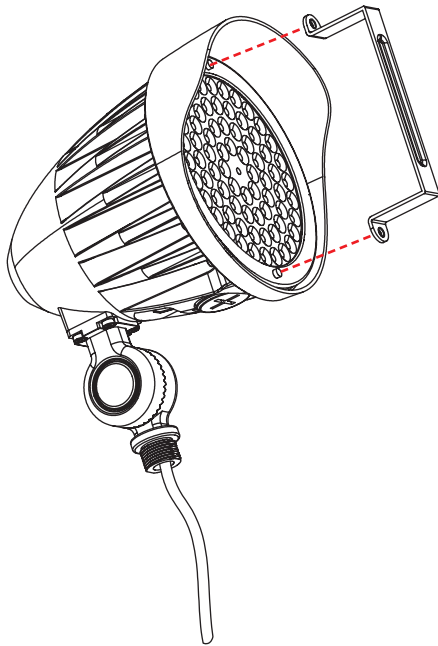


KT-FLED25PS-C1E-UNV-8CSB-VDIM

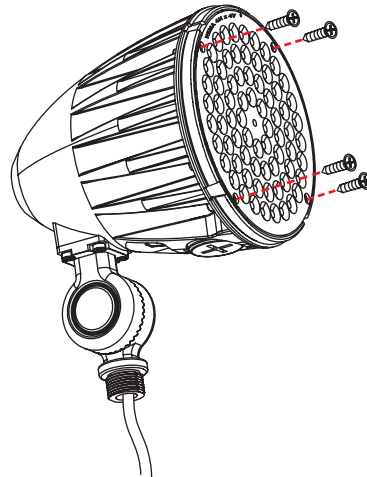
BULLET FLOOD LIGHT

LENS REPLACEMENT INSTRUCTIONS

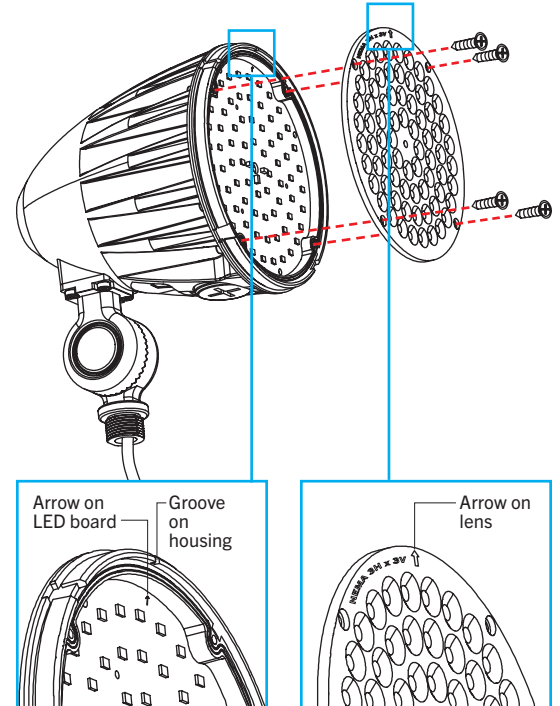
1. Open the cap with a lens wrench tool (provided).



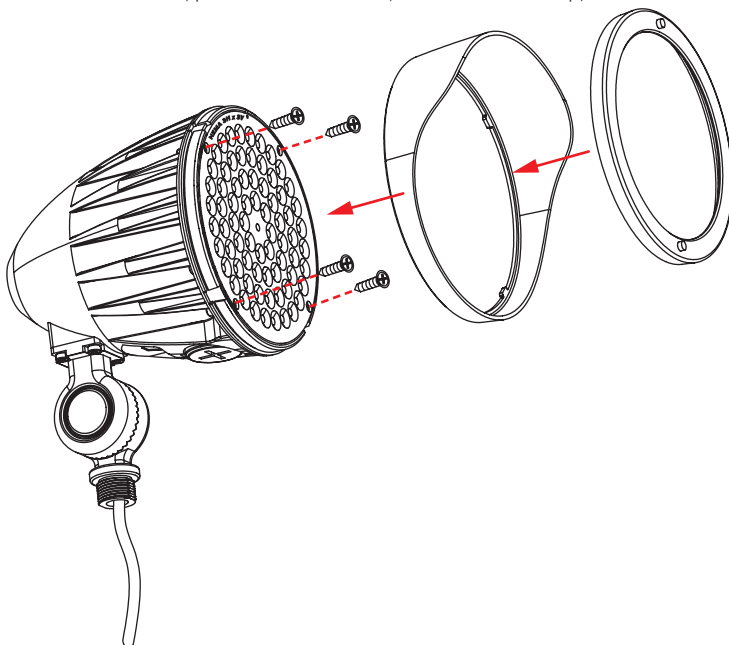
2. Remove the cap and reflector and unscrew the 4 lens screws, then use a screwdriver to take off the original lens through the grooves.



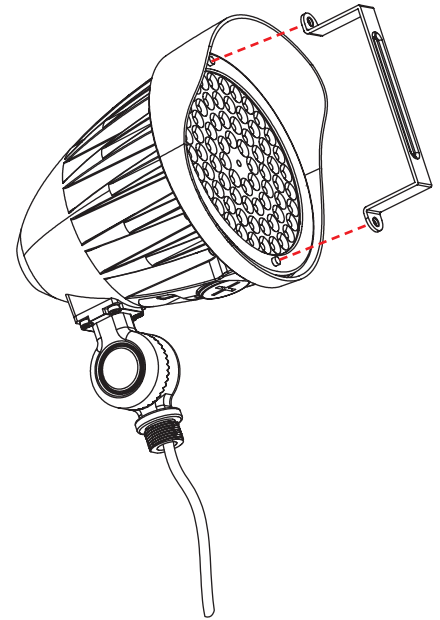
3. Install the NEMA 3H x 3V replacement lens (provided) on the fixture, aligning arrow on lens with arrow on LED board and groove on housing.

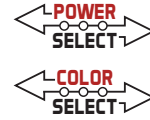


4. Tighten the 4 lens screws, put back the reflector, and twist on the cap,



5. Lock the cap in place with a lens wrench tool (provided).





KT-FLED25PS-C1E-UNV-8CSB-VDIM

BULLET FLOOD LIGHT

ORDERING INFORMATION

ORDER CODE	UPC	EASY CODE
KT-FLED25PS-C1E-UNV-8CSB-VDIM	843654141886	HYH-58

CATALOG NUMBER BREAKDOWN

KT-FLED25PS-C1E-UNV-8CSB-VDIM

- 1
- 2
- 3
- 4
- 5
- 6
- 7
- 8
- 9
- 10
- 11
- 12

- 1 Keystone Technologies
- 2 Floodlight LED
- 3 Max Wattage
- 4 Power Select
- 5 Circular
- 6 Series 1
- 7 4H x 4V Distribution
- 8 Universal Voltage
- 9 80 CRI
- 10 Color Select
- 11 Color Select Designation
- 12 0-10V Dimming

11 Color Select Designation

B	3000/4000/5000K
---	-----------------