



# KT-FLED15-R3A-KM-8XX

## 15W CONTRACTOR PRIME FLOODLIGHT

### DESCRIPTION

15W Contractor Prime LED Floodlight | 120/277V Input |  
3000 or 5000K | Bronze Housing | Knuckle Mount

### APPLICATION

Building or ground mount application for outdoor illumination (landscapes, display signage, loading docks, building façades, pathways, parking areas, and other general site lighting requirements)



### PRODUCT FEATURES

- Uniform, wide floodlight distribution (NEMA 7H x 7V pattern)
- Heavy duty, die cast aluminum housing featuring built in glare visor and tempered glass lens
- 1/2" knuckle mount with + or - 90° adjustment.
- Ambient operating temperature: -40°C/-40°F to 40°C/104°F
- ETL, DLC, and damp location listed; IP65 rated
- Power factor: > 0.95
- THD: < 20%
- LED chip lifetime: L70 > 50,000 hrs @ 25°C/77°F ambient fixture temp
- Meets FCC Part 15, Part B, Class A standards for conducted and radiated emissions

### ELECTRICAL SPECIFICATIONS

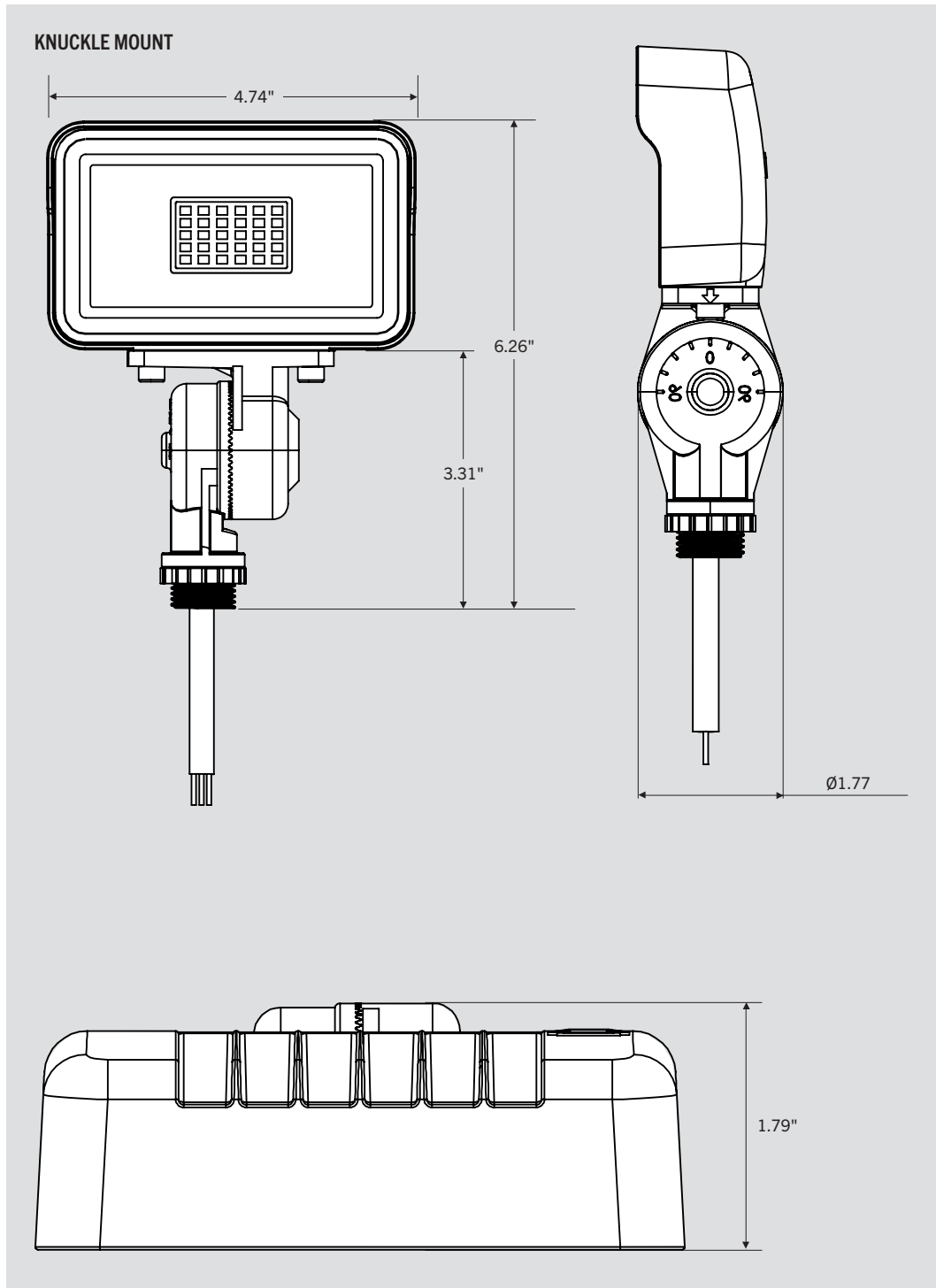
Catalog Number	Wattage	Lumens	Dimming	CCT*	Efficacy	CRI	Housing Color	Mounting	Input Voltage	Rated Life	Legacy Equivalent
KT-FLED15-R3A-KM-830	15W	1725	TRIAC	3000K	115 lm/W	>80	Bronze	Knuckle Mount	120–277V	50,000 hrs	70W MH
KT-FLED15-R3A-KM-850				5000K							

\* Color Uniformity: CCT (Correlated Color Temperature) range as per guidelines outlined in ANSI C78.377-2017

# KT-FLED15-R3A-KM-8XX

## 15W CONTRACTOR PRIME FLOODLIGHT

### PHYSICAL SPECIFICATIONS





# KT-FLED15-R3A-KM-8XX

## 15W CONTRACTOR PRIME FLOODLIGHT

### GENERAL SETUP INSTRUCTIONS

#### GENERAL WIRING DIAGRAM



**Caution:** Before installing, make certain that AC power to the fixture is off.

**Caution:** The electrical rating of this product is 120/277V. **INSTALLER MUST CONFIRM THAT THERE IS EITHER 120V OR 277V AT THE FIXTURE BEFORE INSTALLATION.**

### ORDERING INFORMATION

CATALOG NUMBER	PACK QTY.	UPC	EASY CODE	DLC PRODUCT ID
KT-FLED15-R3A-KM-830	1	843654157030	QDD-03	S-PG1Q8Z
KT-FLED15-R3A-KM-850	1	843654151946	BMM-38	S-T20ZA1

### CATALOG NUMBER BREAKDOWN

# KT-FLED15-R3A-KM-8XX

<b>1</b>	<b>2</b>	<b>3</b>	<b>4</b>	<b>5</b>	<b>6</b>	<b>7</b>	<b>8</b>	<b>9</b>	<b>10</b>
<b>1</b> Keystone Technologies	<b>2</b> Fixture Type	<b>3</b> LED Lamp	<b>4</b> Wattage	<b>5</b> Shape	<b>6</b> Series Designation	<b>7</b> Distribution	<b>8</b> Mounting	<b>9</b> CRI	<b>10</b> CCT
	F    Floodlight			R    Rectangular	3    Contractor Prime	A    NEMA 7H x 7V	KM    Knuckle Mount	8    >80	