



KT-EMRG-LED-12C-1200-EN

CONSTANT WATTAGE LED EMERGENCY BACK-UP



DESCRIPTION

LED Emergency Back-Up Driver | Standard Side Exit Wire Leads | 12W Output

DRIVER TYPE: Constant Wattage LED Emergency
MAX. OUTPUT POWER: 12W
INPUT VOLTAGE: 120–277Vac ±10%
OUTPUT VOLTAGE: 20–54Vdc
OUTPUT CURRENT: 600–250mA
WARRANTY: 5 Years



PRODUCT FEATURES

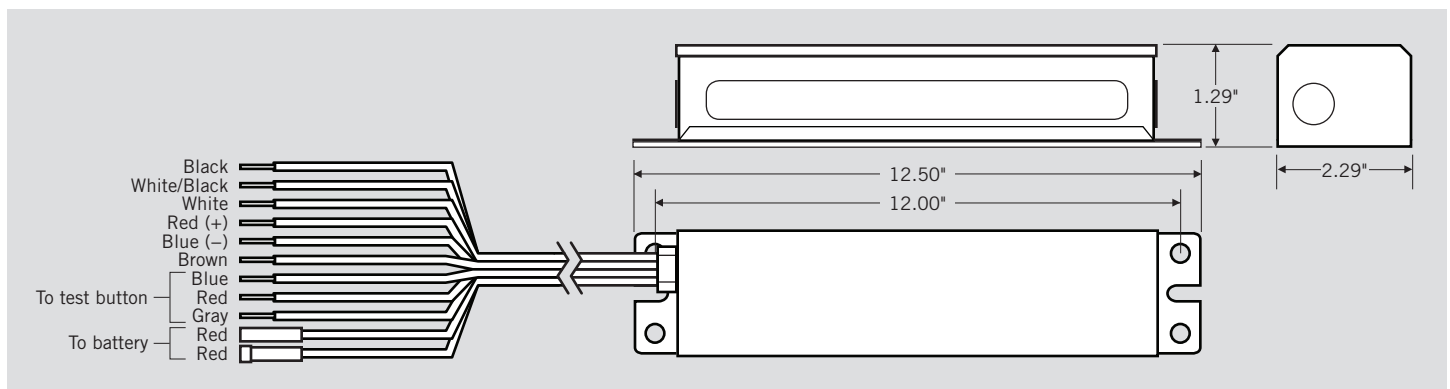
- Drives LED loads at 12W (nominal) for a minimum of 90 minutes
- Meets FCC Part 15 (Class B) consumer limits
- Short circuit overload and open load protection
- Suitable for dry and damp locations
- Evaluated to UL 924 standards
- Operating temperature: 0°C/32°F to 55°C/131°F
- Input frequency: 50/60 Hz
- Test switch/Charging indicator light
- Battery pack with quick connect: NiCd
- LiFePO4 battery: 3 Cells, 9.6Vdc
- Complies with CEC efficiency standards
- Class 2 output
- Listed for field or factory installation: UL 924 and CSA C22.2 no. 141 emergency lighting compliant
- 3A max. pass-through current

ELECTRICAL SPECIFICATIONS

Family	INPUT CHARACTERISTICS			OUTPUT CHARACTERISTICS		
	Input Voltage	Power Factor	Max. Current	Max. Output Power	Rated Output Current	Output Voltage
12W	120–277Vac	≥0.5	0.050A @ 120V	12W	600mA–250mA	20–54Vdc

Emergency pack designed to deliver 12W to a constant current LED load. Approximate output is 1200 lumens, assuming a nominal minimum efficacy of 100 lm/W.

PHYSICAL SPECIFICATIONS

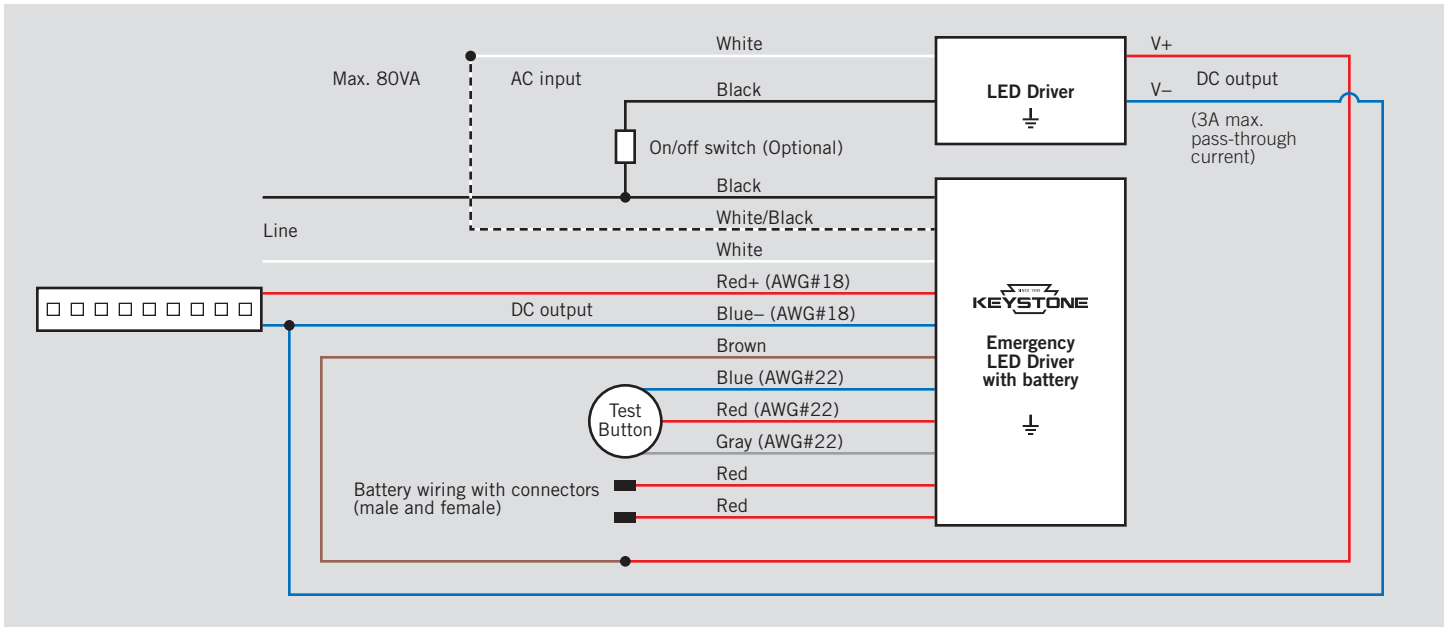




KT-EMRG-LED-12C-1200-EN

CONSTANT WATTAGE LED EMERGENCY BACK-UP

WIRING SPECIFICATIONS



ORDERING INFORMATION

ORDER CODE	DESCRIPTION	PACKAGING STYLE	PACK QUANTITY	ITEM STATUS
KT-EMRG-LED-12C-1200-EN-IP	1-Piece LED Emergency Back-up with Standard Side Exit Leads	Individually Packaged	1	Active

CATALOG NUMBER BREAKDOWN

KT-EMRG-LED-12C-1200-EN-IP

- 1
- 2
- 3
- 4
- 5
- 6
- 7

- 1 Keystone Technologies
- 2 Emergency Back-up Driver
- 3 LED Driver
- 4 Wattage Family (CEC Compliant)
- 5 Nominal Lumen Output
- 6 1-Piece Enclosure
- 7 Packaging Style